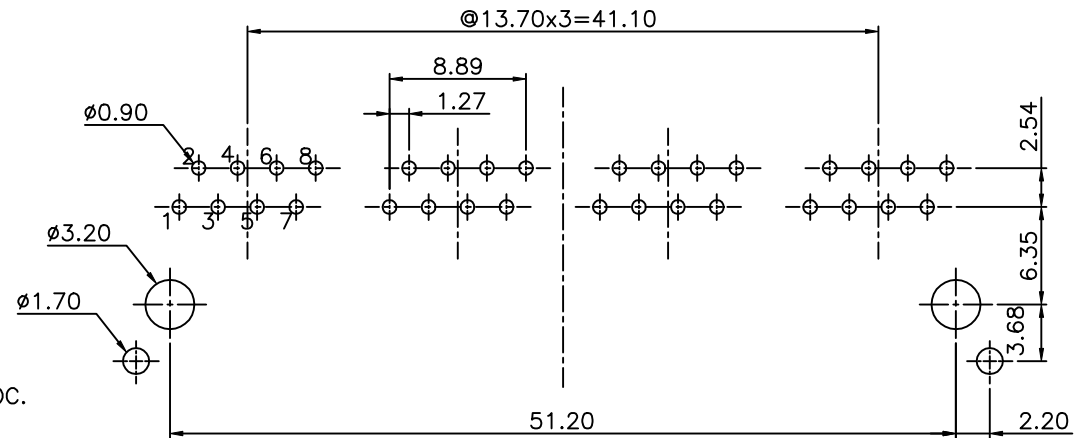
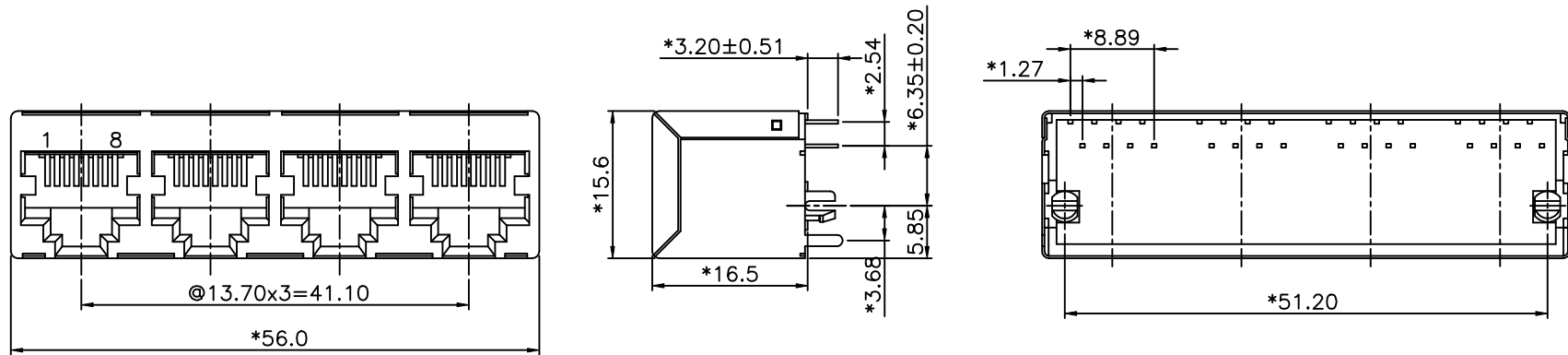




**THE DATASHEET OF
E5288-32C142-L**



REVISION RECORD				
REV	ECO	DESCRIPTION	DRFT	CHKD
△		MODIFY P/N.	ANKUE 8/13/05	



NOTES:

ELECTRICAL:

- VOLTAGE RATING : 125 VAC RMS.
- CURRENT RATING : 1.5 AMP.
- CONTACT RESISTANCE : 30 MILLIOHMS MAX.
- INSULATION RESISTANCE: 1000 MEGOHMS MIN @ 500 VDC.
- DIELECTRIC STRENGTH : 1000 VAC RMS 60Hz, 1MIN.

MECHANICAL:

- HOUSING MATERIAL : GLASS FILLED POLYESTER UL94V-0.
- CONTACT MATERIAL : PHOSPHOR BRONZE t=0.35mm.
- PLATING : GOLD PLATING OVER NICKEL.
- OPERATING LIFE : 750 CYCLES MIN.
- PCB RETENTION PRE-SOLDER : 1 LB MIN.
- PCB RETENTION POST-SOLDER: 10 LBS MIN.

ENVIRONMENTAL:

- STORAGE : -40°C TO +85°C.
- OPERATION : -40°C TO +85°C.
- WAVE SOLDER TEMPERATURE : 230°C TO 250°C 3~5 SECOND.

MATES WITH MODULAR PLUG CONFORMING TO FCC PART 68, SUBPART F.

△PART NUMBER: E5288-3XCX4X-L


- SHIELD: 1-3u" 2-6u" 3-15u" 4-30u" 5-50u"
- 1-TIN △0-PBT+20%G.F.
- 2-NICKEL 1-PBT+30%G.F.
- 4-SHIELD NICKEL PLATED ;TINNED TABS

DETACHED LISTS	MM (INCH)	DFTO YJK	DATE 4/12/99	FULL RISE ELECTRONIC CO., LTD		
	TOLERANCES EXCEPT AS NOTED	CHKD SAMMY	DATE 2005/08/13			
	MM	MFO	DATE	TITLE TOP ENTRY GANG JACK		
	.0 ±0.20	APPV LUSHENG	DATE 2005/08/13			
.00 ±0.15	MATERIAL :	DRAWING NO. GE523009_LC		SIZE	REV	
.000 ±0.075	ANGLES ±	QTY :	/PART NO. SEE NOTE		A3	1
THIRD ANGLE PROJECTION	FINISH :	SCALE :	DO NOT SCALE DRAWING		SHEET X	OF Y

Looking for pricing, stock, or lifecycle information?

Click below to explore more details on WIN SOURCE:

 [View E5288-32C142-L on WIN SOURCE](#)

 [Pulse Information](#)

Optimize Your Supply Chain with WIN SOURCE Solutions

-  Global Sourcing Solution
-  Obsolete Management
-  Cost Control Management
-  Shortage Management
-  Alternative Solution
-  Excess Inventory Management