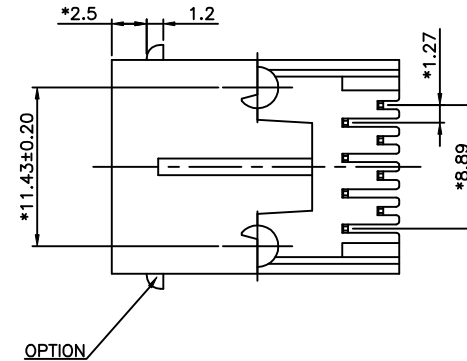
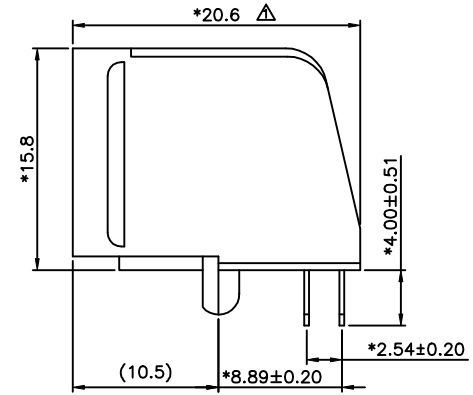
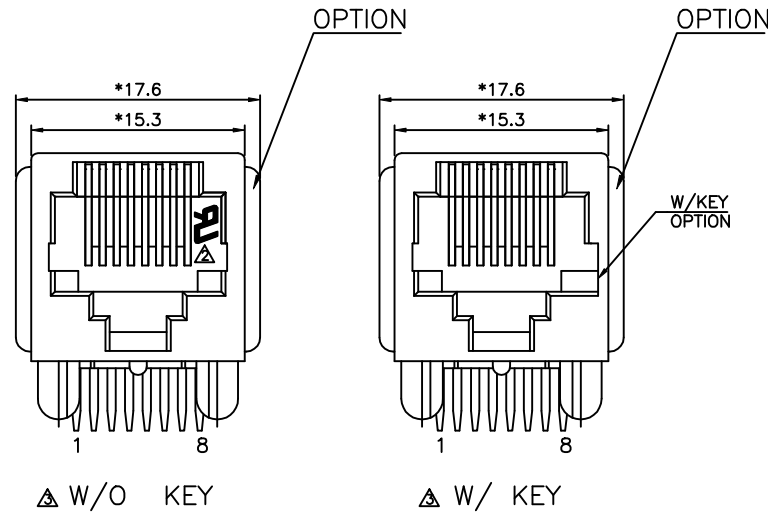
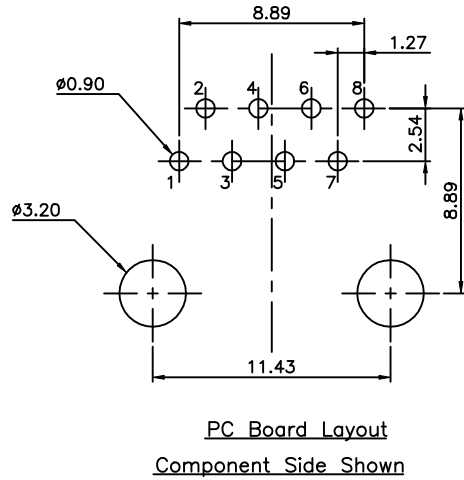




**THE DATASHEET OF  
E5788-000022-L**



| REVISION RECORD |     |                |                   |      |
|-----------------|-----|----------------|-------------------|------|
| REV             | ECO | DESCRIPTION    | DRFT              | CHKD |
| △               |     | MODIFY DIM     | SAMMY<br>07/27/02 |      |
| △               |     | MODIFY DRAWING | YUAN<br>11/28/02  |      |
| △               |     | ADD VIEW       | ANKUE<br>08/03/05 |      |



**NOTES:**

**ELECTRICAL:**

- VOLTAGE RATING : 125 VAC RMS.
- CURRENT RATING : 1.5 AMP.
- CONTACT RESISTANCE : 30 MILLIOHMS MAX.
- INSULATION RESISTANCE: 500 MEGOHMS MIN @ 500 VDC.
- DIELECTRIC STRENGTH : 1000 VAC RMS 60Hz, 1MIN.

**MECHANICAL:**

- HOUSING MATERIAL : GLASS FILLED POLYESTER UL94V-0.
- CONTACT MATERIAL : PHOSPHOR BRONZE t=0.35mm.
- PLATING : 1: CONTACT AREA- SELECTIVE GOLD PLATING.  
2: TAILS- 150u" TIN-LEAD MIN OVER 50u" NICKEL.
- OPERATING LIFE : 750 CYCLES MIN.
- PCB RETENTION PRE-SOLDER : 1 LB MIN.
- PCB RETENTION POST-SOLDER: 10 LBS MIN.

**ENVIRONMENTAL:**

- STORAGE : -40°C TO +85°C.
- OPERATION: 0°C TO 70°C.

MATES WITH MODULAR PLUG CONFORMING TO FCC PART 68, SUBPART F.

CUL FILE NO. E163191  
PART NUMBER: E5788-0000XX

- |                                 |         |        |
|---------------------------------|---------|--------|
| 1- W/ PANEL STOP,L POST NO KEY  | 1- 3u"  | 2- 6u" |
| 2- W/O PANEL STOP,L POST NO KEY | 3- 15u" | 4-30u" |
| E- W/ PANEL STOP,L POST W/ KEY  | 5- 50u" |        |
| F- W/O PANEL STOP,L POST W/ KEY |         |        |

| ← MM (INCH) →              |   | DFTO JACKY   | DATE 9/17/97  |
|----------------------------|---|--------------|---------------|
| TOLERANCES EXCEPT AS NOTED |   | CHKD SAMMY   | DATE 2005/8/3 |
| MM                         | ± | MFO          | DATE          |
| .0 ±0.20                   | ± | APPVLLUSHENG | DATE 2005/8/3 |
| .00 ±0.15                  | ± | MATERIAL :   |               |
| .000 ±0.075                | ± | QT'Y :       |               |
| ANGLES ±                   |   | FINISH :     |               |
| THIRD ANGLE PROJECTION     |   | SCALE :      |               |

|                                 |  |         |      |
|---------------------------------|--|---------|------|
| FULL RISE ELECTRONIC CO., LTD   |  |         |      |
| TITLE<br>SIDE ENTRY PCB JACK 8P |  |         |      |
| DRAWING NO. GE573004            |  | SIZE    | REV  |
| /PART NO. SEE NOTE              |  | A3      | 3    |
| DO NOT SCALE DRAWING            |  | SHEET X | OF Y |

## Looking for pricing, stock, or lifecycle information?

Click below to explore more details on WIN SOURCE:

 [View E5788-000022-L on WIN SOURCE](#)

 [Pulse Information](#)

## Optimize Your Supply Chain with WIN SOURCE Solutions

-  Global Sourcing Solution
-  Obsolete Management
-  Cost Control Management
-  Shortage Management
-  Alternative Solution
-  Excess Inventory Management