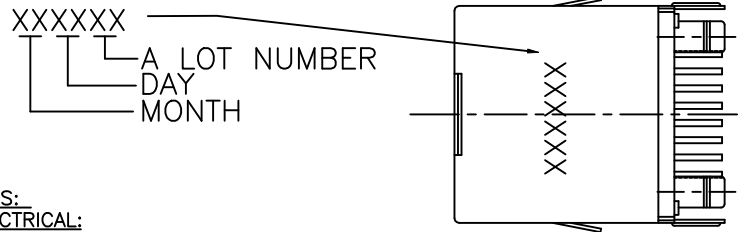
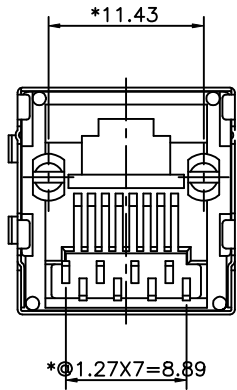
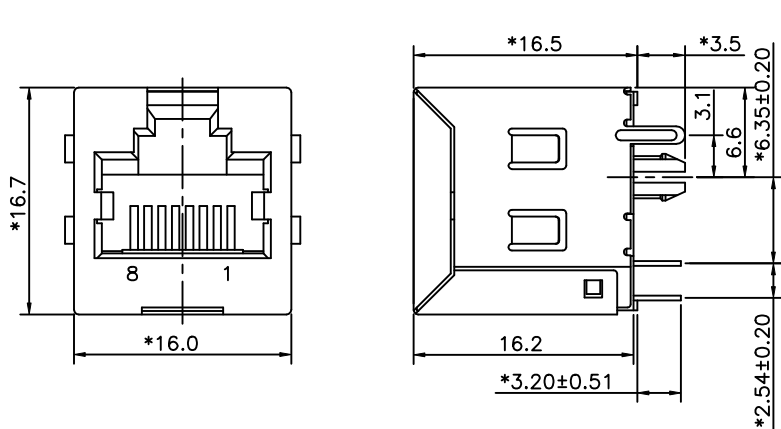




**THE DATASHEET OF
E52D8-R20B44-L**



REVISION RECORD				
REV	ECO	DESCRIPTION	DRFT	CHKD
△		Modify Drawing	czh 07/23/03	
△		MODIFY DRAWING	AMONG 10/22/04	
△		ADD PART NO	QUILER 01/03/05	



NOTES:

ELECTRICAL:

1. VOLTAGE RATING : 125 VAC RMS.
2. CURRENT RATING : 1.5 AMP.
3. CONTACT RESISTANCE : 30 MILLIOHMS MAX.
4. INSULATION RESISTANCE: 1000 MEGOHMS MIN @ 500 VDC.
5. DIELECTRIC STRENGTH : 1000 VAC RMS 60Hz, 1MIN.

MECHANICAL:

1. HOUSING MATERIAL : GLASS FILLED POLYESTER UL94V-0.
2. CONTACT MATERIAL : PHOSPHOR BRONZE t=0.35mm.
3. PLATING : GOLD PLATING OVER NICKEL.
4. OPERATING LIFE : 750 CYCLES MIN.
5. PCB RETENTION PRE-SOLDER : 1 LB MIN.
6. PCB RETENTION POST-SOLDER: 10 LBS MIN.

ENVIRONMENTAL:

1. STORAGE : -40°C TO +85°C.
2. OPERATION: -40°C TO +85°C.

MATES WITH MODULAR PLUG CONFORMING TO

FCC PART 68, SUBPART F.

CUL FILE NO. E163191

PART NUMBER: E52D8-RX0X4X

- △ SHIELD PLATING:
 - 1- TIN PLATING
 - 2- NICKEL PLATING
- GOLD PLATING:
 - 1- 3u" 2- 6u"
 - 3- 15u" 4- 30u"
 - 5- 50u"
- 0-PBT+15%GF(BK)
- 1-PBT+30%GF(BK)

△ LEAD-FREE PART NUMBER: E52D8-RX0X4X-L

- △ SHIELD PLATING:
 - 1- TIN PLATING
 - 2- NICKEL PLATING
- GOLD PLATING:
 - 1- 3u" 2- 6u"
 - 3- 15u" 4- 30u"
 - 5- 50u"
- 0-PBT+15%GF(BK)
- 1-PBT+30%GF(BK)
- △ B-FR52 BK

PC Board Layout Component Side Shown

← MM (INCH) →		DFTO BASS	DATE 7/8/97	FULL RISE ELECTRONIC CO., LTD	
TOLERANCES EXCEPT AS NOTED		CHKD SAMMY	DATE 2005/1/5		
MFO		DATE		TITLE	
APPV LUSHENG		DATE 2005/1/5		RJ45 TOP ENTRY PCB MODULAR JACK(DIP TYPE)	
MATERIAL :		QT'Y :		DRAWING NO. GE523070	
FINISH :		SCALE : 3:1		/PART NO. SEE NOTE	
DO NOT SCALE DRAWING		SHEET X		OF Y	

Looking for pricing, stock, or lifecycle information?

Click below to explore more details on WIN SOURCE:

 [View E52D8-R20B44-L on WIN SOURCE](#)

 [Pulse Information](#)

Optimize Your Supply Chain with WIN SOURCE Solutions

-  Global Sourcing Solution
-  Obsolete Management
-  Cost Control Management
-  Shortage Management
-  Alternative Solution
-  Excess Inventory Management