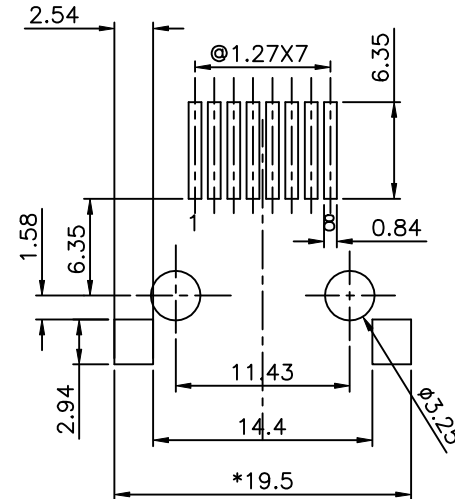
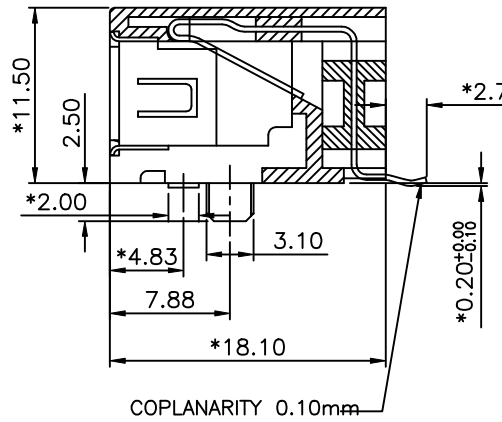
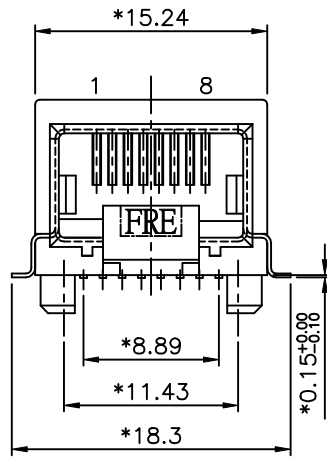




**THE DATASHEET OF  
E5388-E905V2-L**



REVISION RECORD				
REV	ECO	DESCRIPTION	DRFT	CHKD



PC BOARD LAYOUT COMPONENT SIDE SHOWN

**NOTES:**

**ELECTRICAL:**

- VOLTAGE RATING : 125 VAC RMS.
- CURRENT RATING : 1.5 AMP.
- CONTACT RESISTANCE : 35 MILLIOHMS MAX.
- INSULATION RESISTANCE: 1000 MEGOHMS MIN @ 500 VDC.
- DIELECTRIC STRENGTH : 1000 VAC RMS 60Hz, 1MIN.

**MECHANICAL:**

- HOUSING MATERIAL : FR52
- CONTACT MATERIAL : PHOSPHOR BRONZE t=0.35mm.
- PLATING : 1: CONTACT AREA- SELECTIVE GOLD PLATING.  
2: TAILS- PLATED TIN OVER NICKEL.
- OPERATING LIFE : 750 CYCLES MIN.
- PCB RETENTION POST-SOLDER: 10 LBS MIN.

**ENVIRONMENTAL:**

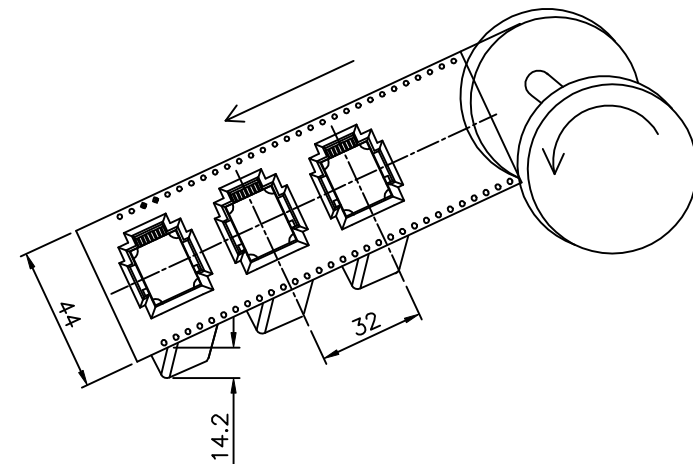
- STORAGE : -40°C TO +85°C.
- OPERATION: 0°C TO 70°C.
- REFLOW SOLDERING TEMPERATURE: 255°C TO 265°C 5-10SECOND.

MATES WITH MODULAR PLUG CONFORMING TO FCC PART 68, SUBPART F.

PART NUMBER: E5388-EX05VX-L

9- W/O LOGO  
J- W/ FRE LOGO

- 3U"
- 6U"
- 15U"
- 30U"
- 50U"



DETACHED LISTS	← MM (INCH) →		DFTO SAMMY	DATE 04/16/05	FULL RISE ELECTRONIC CO., LTD		
	TOLERANCES EXCEPT AS NOTED		CHKD ANKUE	DATE 2005/4/20			
	MM	±	MFO	DATE	TITLE SIDE ENTRY 8P INTERNAL SHIELD(SMD)		
	.0 ±0.20	±	APPVLLUSHENG	DATE 2005/4/20			
	.00 ±0.15	±	MATERIAL :		DRAWING NO. GE533039-LA		
.000 ±0.075	±	QTY :		SIZE A3			
ANGLES ±		FINISH :		/PART NO. SEE NOTE			
THIRD ANGLE PROJECTION		SCALE : 3:1					DO NOT SCALE DRAWING

## Looking for pricing, stock, or lifecycle information?

Click below to explore more details on WIN SOURCE:

 [View E5388-E905V2-L on WIN SOURCE](#)

 [Pulse Information](#)

## Optimize Your Supply Chain with WIN SOURCE Solutions

-  Global Sourcing Solution
-  Obsolete Management
-  Cost Control Management
-  Shortage Management
-  Alternative Solution
-  Excess Inventory Management