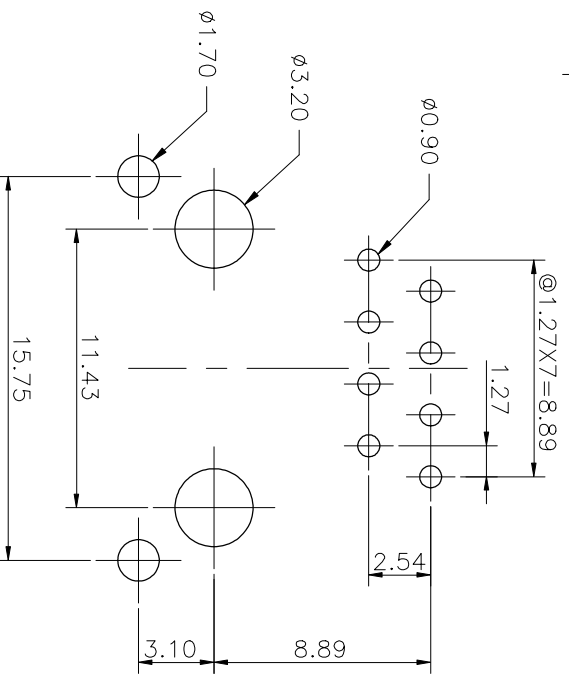
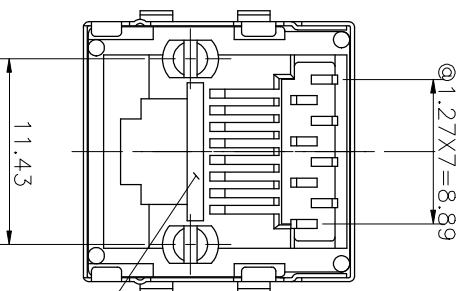
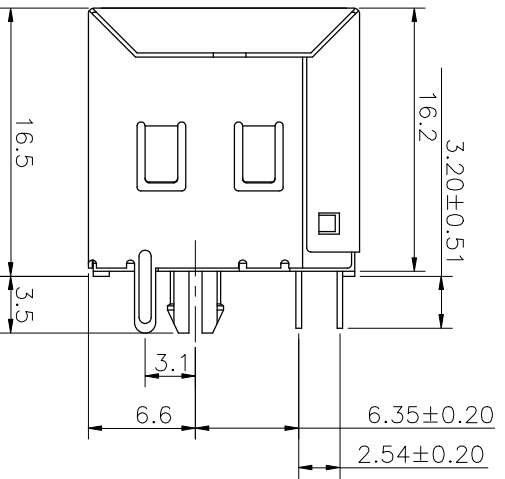




**THE DATASHEET OF
E5288-320045-L**



REVISION RECORD		
REV	DESCRIPTION	DRET



- 125 VAC RMS.
- 1.5 AMP.
- 30 MILLIOHMS MAX.
- 1000 MEGOHMS MIN @ 500 VDC.
- 1000 VDC RMS 60Hz, 1MIN.
- : PBT+GF20% UL94V-0./COLOR:BLACK.
- : PHOSPHOR BRONZE t=0.35mm.
- : GOLD PLATING OVER NICKEL.
- : 750 CYCLES MIN.
- WELDER : 1 LB MIN.
- WEIGHT : 10 LBS MIN.
- 85°C.
- 85°C.
- RTURE: 230°C TO 250°C 3~5 SECONDS.

CONFORMING TO

- X004X-L
- GOLD PLATING:
- 1- 3u" 2- 6u"
- 3-15u" 4-30u"
- 5-50u"

DETACHED LISTS			
MM (INCH)	DTFO SKYCHEN	DATE 12/12/06	
TOLEANCES EXCEPT AS NOTED	CHKD ASHELY	DATE 2006/12/12	
MM	APPL. ANGLE	DATE 2006/12/12	
0 ± 0.20			
.00 ± 0.15			
.000 ± 0.075			
ANGLES ± 0.5°	MATERIAL :	QTY :	
	FINISH :		
THIRD ANGLE PROJECTION	SCALE : 3:1		
TITLE RJ45 TOP ENTRY			
PCB MODULAR JACK(DIP TYPE)			
DRAWING NO. GE523P01-LC		SIZE	REV
/PART NO. SEE NOTE		A3	0
DO NOT SCALE DRAWING		SHEET	1 OF 1

Looking for pricing, stock, or lifecycle information?

Click below to explore more details on WIN SOURCE:

 [View E5288-320045-L on WIN SOURCE](#)

 [Pulse Information](#)

Optimize Your Supply Chain with WIN SOURCE Solutions

-  Global Sourcing Solution
-  Obsolete Management
-  Cost Control Management
-  Shortage Management
-  Alternative Solution
-  Excess Inventory Management