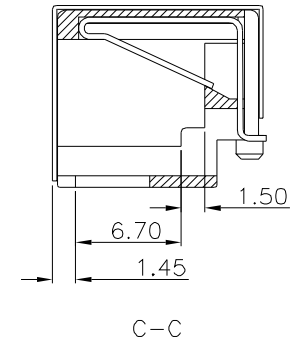
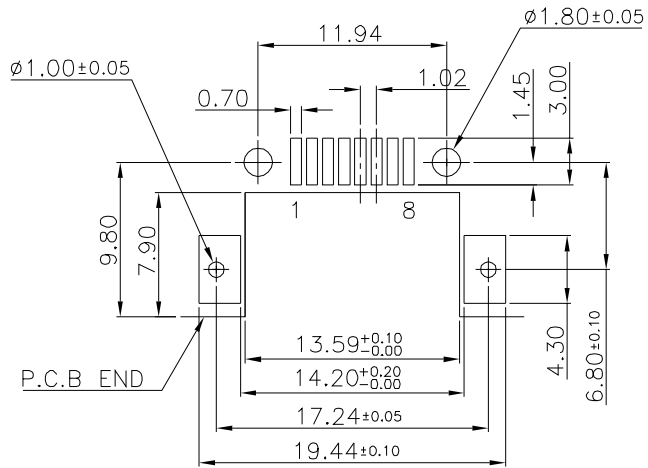
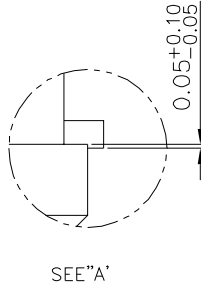
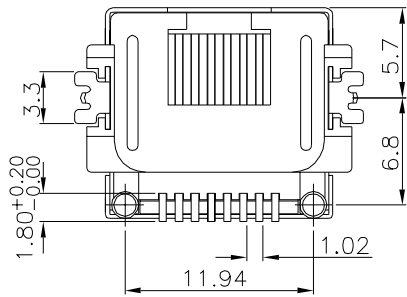
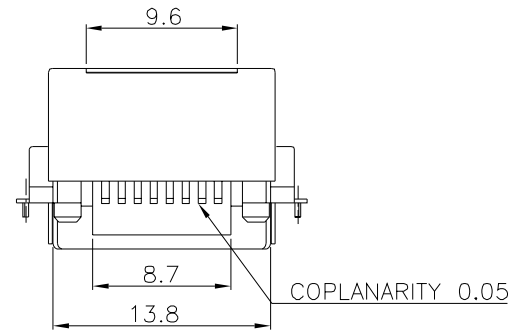
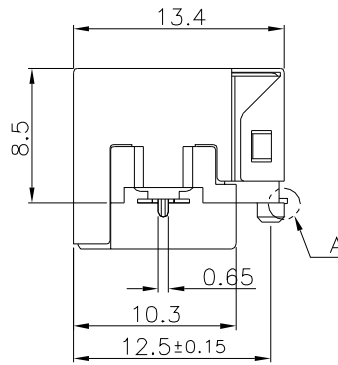
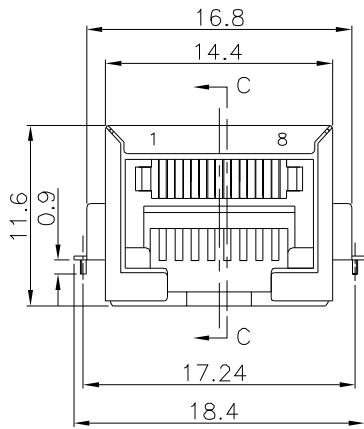




**THE DATASHEET OF  
E6688-120213-L**





PC Borad Layout T=1.6mm  
Component Side Shown Tolerance±0.05mm

**NOTES:**

**ELECTRICAL:**

1. VOLTAGE RATING : 125 VAC RMS.
2. CURRENT RATING : 1.5 AMP.
3. CONTACT RESISTANCE : 35 MILLIOHMS MAX.
4. INSULATION RESISTANCE: 1000 MEGOHMS MIN @ 500 VDC.
5. DIELECTRIC STRENGTH : 1000 VAC RMS 60Hz, 1MIN.

**MECHANICAL:**

1. SHIELD MATERIAL : BRASS, t=0.25mm.
1. HOUSING & INSERT MATERIAL: NYLON UL94V-0
2. CONTACT MATERIAL : PHOSPHOR BRONZE t=0.35mm.
3. PLATING : 1: CONTACT AREA- SELECTIVE GOLD PLATING.  
2: TAILS- 150u" TIN MIN OVER NICKEL.
4. OPERATING LIFE : 750 CYCLES MIN.
5. PCB RETENTION POST-SOLDER: 10 LBS MIN.

**ENVIRONMENTAL:**

1. STORAGE TEMPERATURE : -40°C TO +85°C.
2. OPERATION TEMPERATURE: -40°C TO +85°C.
3. WAVE SOLDERING TEMPERATURE: 255~265°C (5~10SECONDS)
4. RoHS COMPLIANT.


MATES WITH MODULAR PLUG CONFORMING TO FCC PART 68, SUBPART F.

PART NUMBER	GOLD PLATING
E6688-120211-L	3u"
E6688-120212-L	6u"
E6688-120213-L	15u"
E6688-120214-L	30u"

DETACHED LISTS	MM (INCH)	RoHS Compliant		TITLE		
	TOLERANCES EXCEPT AS NOTED			PHONE JACK RJ45 SMD		
	.0 ± 0.2 ±	DFTO Cothy		DRAWING NO. CE663A05-LA	SIZE A3	REV 0
	.00 ± 0.15 ±	DATE 08/21/2006		/PART NO. SEE TABLE		
	.000 ± 0.075 ±	SCALE : 3:1		DO NOT SCALE DRAWING	SHEET 1	OF 1
	ANGLES ± 0.5	THIRD ANGLE PROJECTION				

## Looking for pricing, stock, or lifecycle information?

Click below to explore more details on WIN SOURCE:

 [View E6688-120213-L on WIN SOURCE](#)

 [Pulse Information](#)

## Optimize Your Supply Chain with WIN SOURCE Solutions

-  Global Sourcing Solution
-  Obsolete Management
-  Cost Control Management
-  Shortage Management
-  Alternative Solution
-  Excess Inventory Management