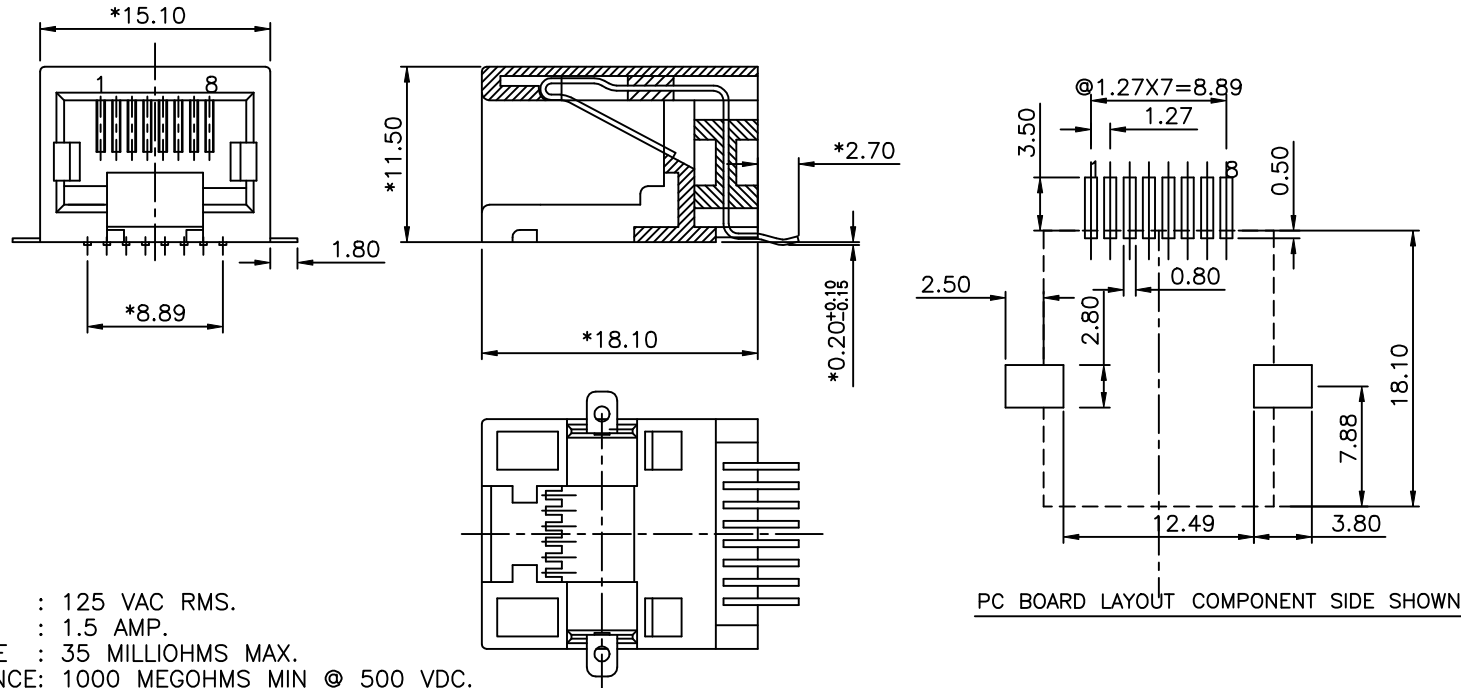




**THE DATASHEET OF  
E5388-EH05Y2-L**



REVISION RECORD				
REV	ECO	DESCRIPTION	DRFT	CHKD
△		Drawing Modification	JAMMYN 1/19/06	



**NOTES:**

**ELECTRICAL:**

- VOLTAGE RATING : 125 VAC RMS.
- CURRENT RATING : 1.5 AMP.
- CONTACT RESISTANCE : 35 MILLIOHMS MAX.
- INSULATION RESISTANCE: 1000 MEGOHMS MIN @ 500 VDC.
- DIELECTRIC STRENGTH : 1000 VAC RMS 60Hz, 1MIN.

**MECHANICAL:**

- HOUSING MATERIAL : FR52 UL94V-0 COLOR:BK
- CONTACT MATERIAL : PHOSPHOR BRONZE t=0.35mm.
- PLATING : 1: CONTACT AREA- SELECTIVE GOLD PLATING.  
2: TAILS- PLATED TIN OVER NICKEL.
- OPERATING LIFE : 750 CYCLES MIN.
- PCB RETENTION PRE-SOLDER : 1 LB MIN.
- PCB RETENTION POST-SOLDER: 10 LBS MIN.

**ENVIRONMENTAL:**

- STORAGE : -40°C TO +85°C.
- OPERATION: -40°C TO +85°C.
- IR REFLOW SOLDERING TEMPERATURE: 255°C TO 265°C (5-10 SECONDS).

MATES WITH MODULAR PLUG CONFORMING TO  
FCC PART 68, SUBPART F.  
ROHS PART NUMBER: E5388-EH05YX-L

1-3U"    2-6U"  
3-15U"    4-30U"  
5-50U"

△	Cavities/reel	Pieces/reel	Pieces/carton
	150	130	1300

DETACHED LISTS	← MM (INCH) →	DFTO SAMMY	DATE 04/16/05	FULL RISE ELECTRONIC CO., LTD	
	TOLERANCES EXCEPT AS NOTED	CHKD JAMMY	DATE 2006/1/21		
	MM	MFO	DATE	TITLE SIDE ENTRY 8P(SMT)	
	.0 ±0.20 ±	APPV LUSHENG	DATE 2006/1/21		
	.00 ±0.15 ±	MATERIAL :	QTY :	DRAWING NO. GE533049-LA	SIZE A3
.000 ±0.075 ±	ANGLES ±	FINISH :	/PART NO. SEE NOTE		
THIRD ANGLE PROJECTION	SCALE : 3:1	DO NOT SCALE DRAWING	SHEET X OF Y		

## Looking for pricing, stock, or lifecycle information?

Click below to explore more details on WIN SOURCE:

 [View E5388-EH05Y2-L on WIN SOURCE](#)

 [Pulse Information](#)

## Optimize Your Supply Chain with WIN SOURCE Solutions

-  Global Sourcing Solution
-  Obsolete Management
-  Cost Control Management
-  Shortage Management
-  Alternative Solution
-  Excess Inventory Management