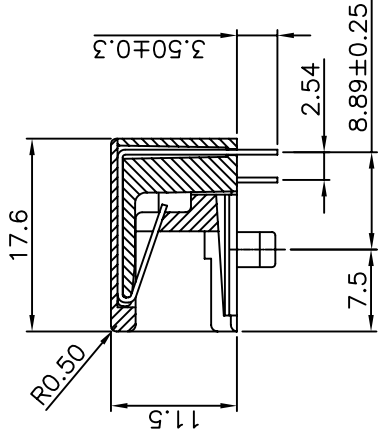
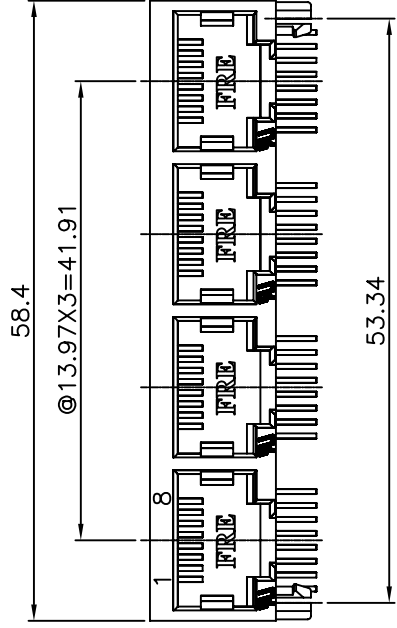




**THE DATASHEET OF
E5608-00CW72-L**





NOTES:

ELECTRICAL:

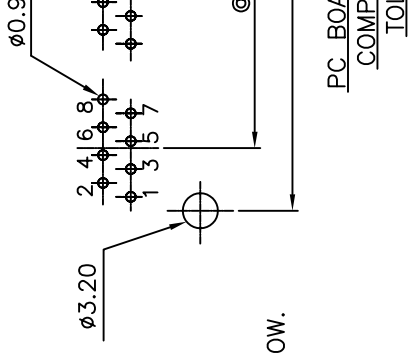
1. VOLTAGE RATING : 125 VAC RMS.
2. CURRENT RATING : 1.5 AMP.
3. CONTACT RESISTANCE : 40 MILLIOHMS MAX.
4. INSULATION RESISTANCE: 1000 MEGOHMS MIN @ 500 VDC.
5. DIELECTRIC STRENGTH : 1000 VDC RMS 60Hz, 1MIN.

MECHANICAL:

1. HOUSING MATERIAL : GLASS FIBER FILLED PBT, UL94V-0\YELLOW.
2. CONTACT MATERIAL : PHOSPHOR BRONZE $\phi 0.46$ mm.
3. PLATING : GOLD PLATING OVER NICKEL.
4. OPERATING LIFE : 750 CYCLES MIN.
5. PCB RETENTION PRE-SOLDER : 1 LB MIN.
6. PCB RETENTION POST-SOLDER: 10 LBS MIN.

ENVIRONMENTAL:

1. STORAGE : -40°C TO +85°C.
 2. OPERATION: -40°C TO +85°C.
 3. WAVE SOLDER TEMPERATURE: 235°C~245°C (3~5 SECONDS).
 4. RoHS COMPLIANT.
- MATES WITH MODULAR PLUG CONFORMING TO
FCC PART 68, SUBPART F.
CUL FILE NO. E163191



PC BOA
COMP
TOI

E5608-00CW72-L	6u"
PART NO.	Au PLATING

MM (INCH)		← →	
TOLERANCES EXCEPT AS NOTED			
MM			
.0 ± 0.25		±	
.00 ± 0.20		±	
.000 ± 0.10		±	
ANGLES ± 1°			
DFTO : ELIA		DATE : 09/17/201	
TITLE		11.5 SIDE	
SCALE : 1:1		THIRD ANGLE PROJECTION	

RoHS Compliant

DETACHED LISTS

Looking for pricing, stock, or lifecycle information?

Click below to explore more details on WIN SOURCE:

 [View E5608-00CW72-L on WIN SOURCE](#)

 [Pulse Information](#)

Optimize Your Supply Chain with WIN SOURCE Solutions

-  Global Sourcing Solution
-  Obsolete Management
-  Cost Control Management
-  Shortage Management
-  Alternative Solution
-  Excess Inventory Management