



**THE DATASHEET OF  
JC0-0319NL**



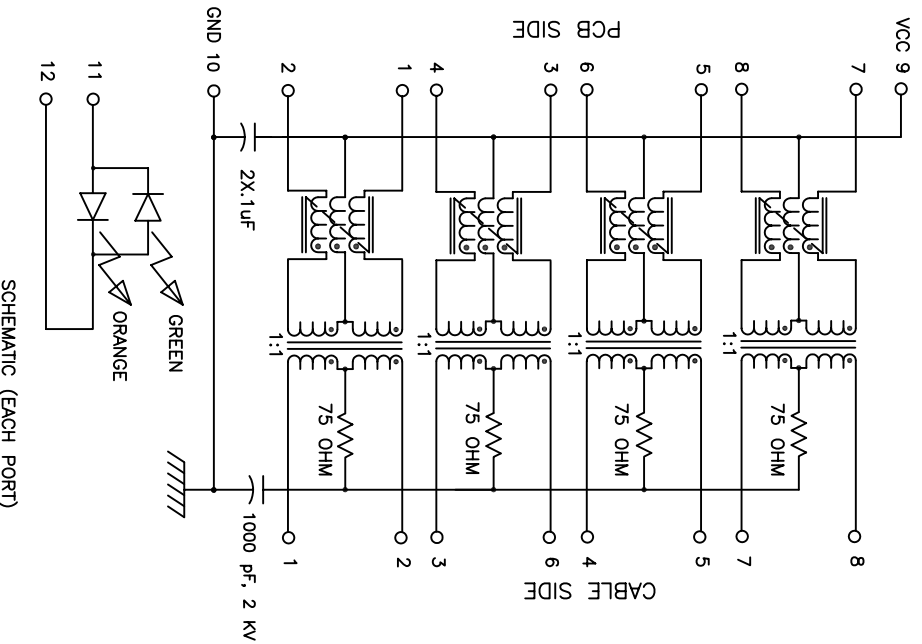
ELECTRICAL CHARACTERISTICS AT +25°C UNLESS OTHERWISE SPECIFIED  
(FOR REFERENCE ONLY. USED FOR CUSTOMER INFORMATION.)

PARAMETER	SPECIFICATIONS	
OPERATING TEMP	0°C - 70°C	
TURNS RATIO	1.00 ± 2%	
POLARITY	PER SCHEMATIC	
	100 KHz	1 - 125 MHz
INSERTION LOSS	-1.2 DB MAX	-0.2-0.002* $f^{\sim}1.4$ DB MAX
	.1-40 MHz	40-100 MHz
RETURN LOSS (Z OUT = 100 OHM ±15%)	-16 DB MIN	-10+20*LOG <sub>10</sub> ( $f$ /80 MHz) DB MIN
INDUCTANCE (OCL) (MEDIA SIDE, 0°C-70°C)	350 uH MIN	(MEASURED AT 100 KHz, 100 mV(RMS) (AND WITH 8 mA DC BIAS
	1 MHz	10-100 MHz
CROSSTALK, ADJACENT CHANNELS	-50 DB MIN	-55+22*LOG <sub>10</sub> ( $f$ /10) DB MIN
	2 MHz	30-200 MHz
COMMON MODE REJECTION RATIO	-50 DB MIN	-15+20*LOG <sub>10</sub> ( $f$ /200) DB MIN
		.65 OHMS MAX
DC RESISTANCE, 1/2 WINDING		
DCR IMBALANCE	±.065 OHMS MAX (CENTER TAP SYMMETRY)	
INPUT - OUTPUT ISOLATION	2250 VDC MIN @ 60 SECONDS	

NOTE: f IS FREQUENCY IN MHZ.

EMITTED COLOR	GREEN	ORANGE
WAVELENGTH (If=20mA)	568 nm	610 nm
BRIGHTNESS - TYP (mcd) If (mA)	8.5	6
	20	20
VIEWING ANGLE	100°	100°
POWER DISSIPATION (Pd)	100 mW MAX	80 mW MAX
PEAK FORWARD CURRENT (10 us PULSE)	150 mA MAX	150 mA MAX
FORWARD VOLTAGE (Vf) (If=20 mA)	2.2 TO 2.6 VOLTS	2.2 TO 2.6 VOLTS

NOTE: PER VENDOR'S SPECIFICATIONS

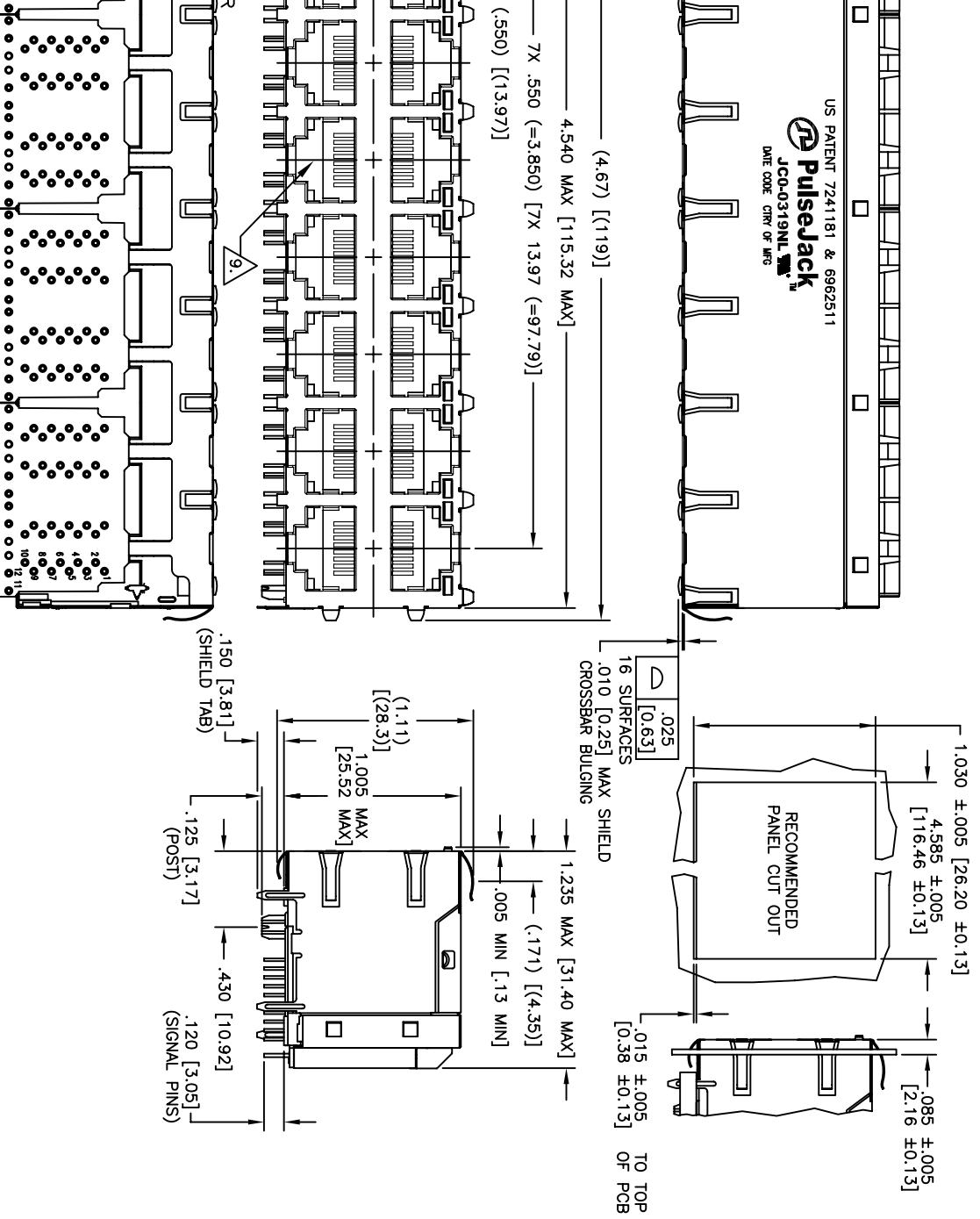


DESIGN APPROVAL:	
OR APPROVAL:	
DWG:	

REV. IS: E216117.

rights reserved. Drawing specifications subject to change without notice. (02/11/11)

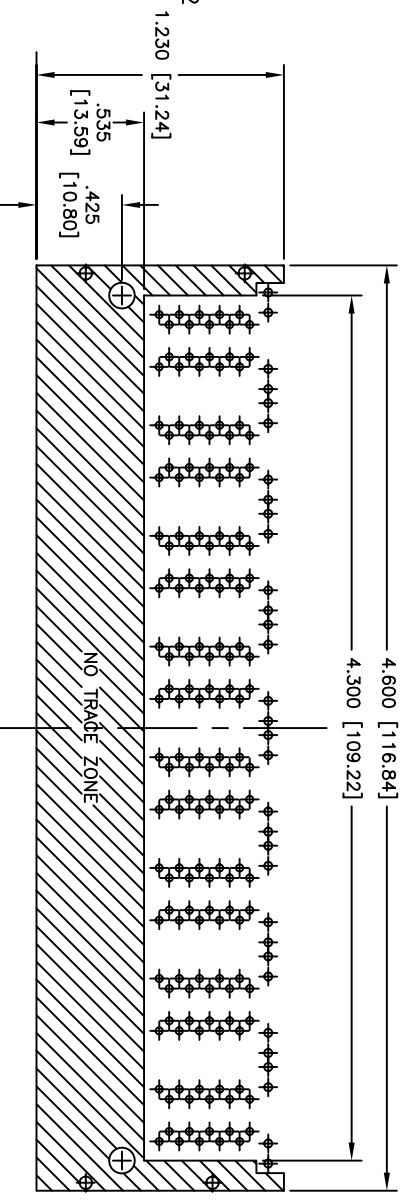
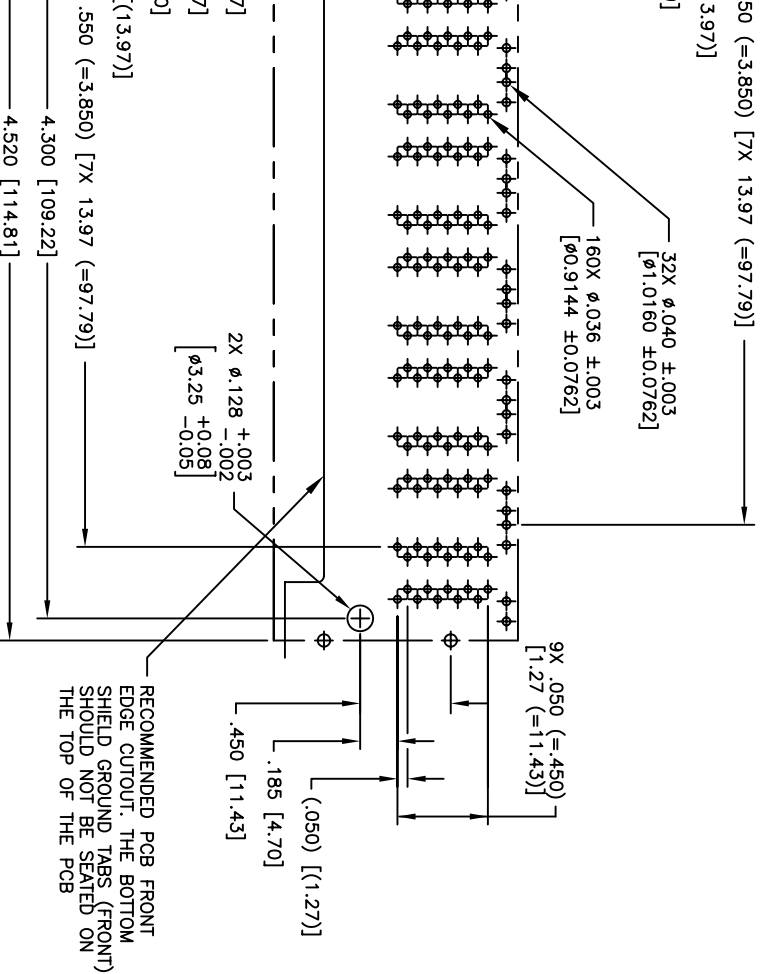
DESCRIPTION	PS DRAWING	SHEET:	DWG. NO. / PART NO.	REV.
5,2X8,1GD,1:1,TY	PS-2316.412-C	1	JC0-0319NL	M15



FINAL OUTLINE

rights reserved. Drawing specifications subject to change without notice. (02/11/11)

DESCRIPTION	PS DRAWING	SHEET:	DWG. NO. / PART NO.	REV.
45,2X8,1GD,1:1,TY	PS-2316.412-C	2	JCO-0319NL	M15



ED FROM COMPONENT SIDE  
SIONAL TOLERANCE IS  $\pm$ .002

rights reserved. Drawing specifications subject to change without notice. (02/11/11)

DESCRIPTION	PS DRAWING	SHEET:	DWG. NO. / PART NO.	REV.
45,2X8,1GD,1:1,TY	PS-2316.412-C	3	JC0-0319NL	M15

## Looking for pricing, stock, or lifecycle information?

Click below to explore more details on WIN SOURCE:

 [View JC0-0319NL on WIN SOURCE](#)

 [Pulse Information](#)

## Optimize Your Supply Chain with WIN SOURCE Solutions

-  Global Sourcing Solution
-  Obsolete Management
-  Cost Control Management
-  Shortage Management
-  Alternative Solution
-  Excess Inventory Management