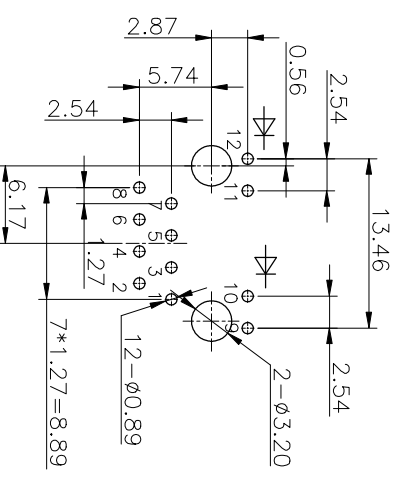
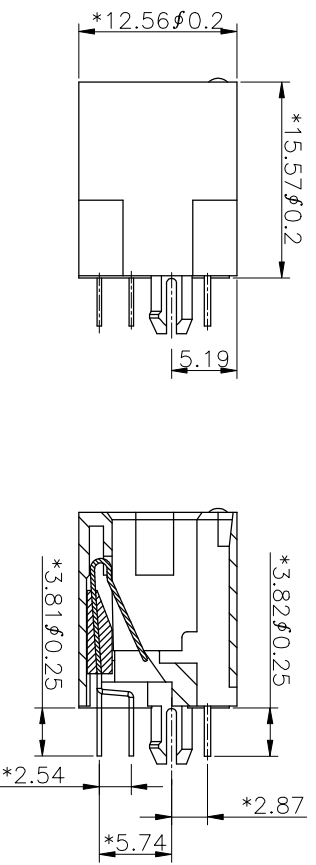




**THE DATASHEET OF
E5J88-20L3R4-L**



REVISION RECORD	
REV	DESCRIPTION



PCB LAYOUT

ROHS PART NUMBER: ESJ88-20L3RX-L
 PLATING: 1-3u" 2-6u" 3-15u"
 4-30u" 5-50u"
 3R-W/FRE&W/O UL,FR52

GREEN LED1

OHMS MAX.
 GOHMS MIN @ 500 VDC.
 AC RMS 60Hz, 1MIN.
 RMS.
 R52 UL94V-0. COLOR-BLACK
 R52 UL94V-0. COLOR-BLACK
 HOSPHOR BRONZE 0.35mm THICKNESS
 .5*1.5*7*P=2.54mm
 LB MIN.
 0 LBS MIN.

DETACHED LISTS	
MM	(INCH)
0 ± 0.20	±
.00 ± 0.15	±
.000 ± 0.075	±
ANGLES ± 0.5°	
THIRD ANGLE PROJECTION	

DATE	BY	DESCRIPTION
11/07/05	YUKI	DFTO
2006/11/17	SHELLY	CHKD
2006/11/17	SHENG	APPL

TITLE	RJ45 W/LED JACK 180° 1PORTS
DRAWING NO.	GE5J3208-LA
/PART NO. SEE NOTE	
DO NOT SCALE DRAWING	

SCALE	2:1
FINISH	
QTY	
MATERIAL	
APPROVAL	
DATE	



RoHS Compliant

255~265° C(5~10 SECONDS)
 WARMING TO

6 5 4 3 2 1

Looking for pricing, stock, or lifecycle information?

Click below to explore more details on WIN SOURCE:

 [View E5J88-20L3R4-L on WIN SOURCE](#)

 [Pulse Information](#)

Optimize Your Supply Chain with WIN SOURCE Solutions

-  Global Sourcing Solution
-  Obsolete Management
-  Cost Control Management
-  Shortage Management
-  Alternative Solution
-  Excess Inventory Management