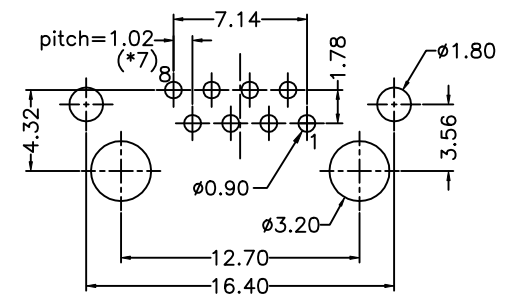
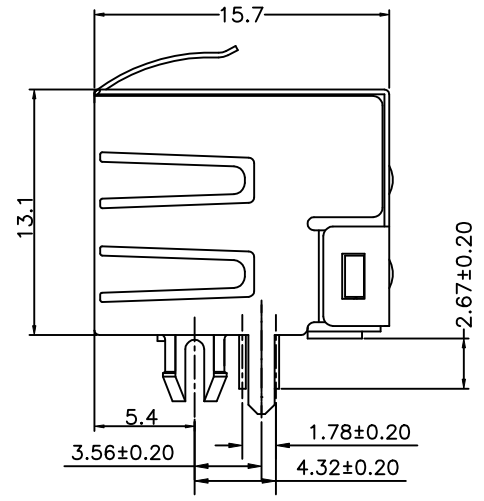
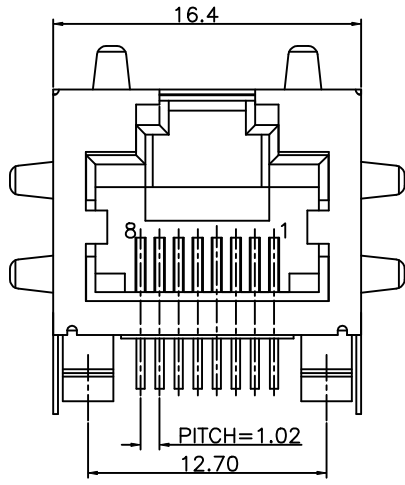




**THE DATASHEET OF
E5J88-02LJB2-L**



REVISION RECORD				
REV	ECO	DESCRIPTION	DRFT	CHKD



PCB (t=1.60mm) Layout
Component Side Shown

NOTES:

ELECTRICAL:

1. VOLTAGE RATING : 125 VAC RMS.
2. CURRENT RATING : 1.5 AMP.
3. CONTACT RESISTANCE : 30 MILLIOHMS MAX.
4. INSULATION RESISTANCE: 1000 MEGOHMS MIN @ 500 VDC.
5. DIELECTRIC STRENGTH : 1000 VAC RMS 60Hz, 1MIN.
6. OPERATING: 750 CYCLES MIN.

MECHANICAL:

1. HOUSING MATERIAL : FR52 UL94V-0. COLOR-BLACK.
2. INSERT MATERIAL : FR52 UL94V-0. COLOR-BLACK.
3. BACK PLATE MATERIAL : FR52 COLOR-BLACK.
4. SHIELD MATERIAL : COPPER ALLOY 0.25mm THICKNESS PLATING NI.
5. CONTACT MATERIAL : PHOSPHOR BRONZE 0.35mm THICKNESS OR ϕ 0.46mm.LEAD FREE.
6. PLATING : GOLD PLATING OVER NICKEL.
7. PCB RETENTION PRE-SOLDER : 1 LB MIN.
8. PCB RETENTION POST-SOLDER: 10 LBS MIN.

ENVIRONMENTAL:

1. STORAGE : -40°C TO +85°C.
 2. OPERATION: 0°C TO 70°C.
 3. WAVE SOLDERING TEMPERATURE:255~265*(5~10 SECONDS)
- MATES WITH MODULAR PLUG CONFORMING TO
FCC PART 68, SUBPART F.
CUL FILE NO. E163191

ROHS PART NUMBER: E 5J 8 8 - X X L X X X -L

0-NO.LED
6-HS'G&SHIELD NO LED

0-W/O SHIELD 1-NO TAB
2-TOP TABS. 3-SIDE TABS.
4-TOP TABS & SIDE TABS.

PLATING:1-3u" 2-6u" 3-15u"
4-30u" 5-50u"
A-TIN SHIELD STAMPED PIN
B-NI SHIELD STAMPED PIN
F-NI SHIELD ROUND PIN (ϕ 0.46)
J- FR52(A05-0130)
5-W/O LOGO W/O TINNED SHIELD LEDS

DETACHED LISTS	MM (INCH)		DFTO yanglan DATE 05/20/05
	TOLERANCES EXCEPT AS NOTED		CHKD JAKE DATE 2005/5/20
	MM	±	MFO DATE
	.0 ± 0.20	±	APPVLLUSHENG DATE 2005/5/20
	.00 ± 0.15	±	MATERIAL :
.000 ± 0.075	±	ANGLES ±	QTY :
THIRD ANGLE PROJECTION		FINISH :	SCALE :

FULL RISE ELECTRONIC CO., LTD			
TITLE RJ45 W/O LED JACK			
DRAWING NO. GE5J3A11-LA		SIZE A3	REV 0
/PART NO. SEE NOTE		DO NOT SCALE DRAWING	
SHEET 1		OF 1	

Looking for pricing, stock, or lifecycle information?

Click below to explore more details on WIN SOURCE:

 [View E5J88-02LJB2-L on WIN SOURCE](#)

 [Pulse Information](#)

Optimize Your Supply Chain with WIN SOURCE Solutions

-  Global Sourcing Solution
-  Obsolete Management
-  Cost Control Management
-  Shortage Management
-  Alternative Solution
-  Excess Inventory Management