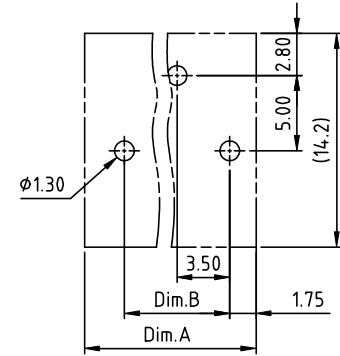
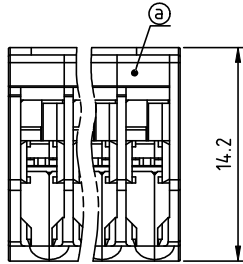




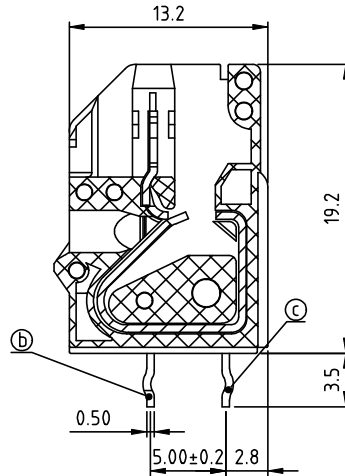
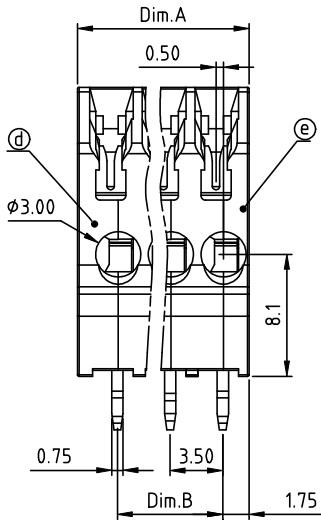
**THE DATASHEET OF
HL11009000J0G**



| | |
|----------------|--------|
| PRODUCT NUMBER | PITCH |
| HLxx00x000JOG | 3.50mm |



RECOMMENDED P.C.B LAYOUT
TOP VIEW



Material:

- Item@ Terminal body: Thermoplastic (UL94V-0)
- ItemⓄ Short pin: PhBz Tin plated.
- ItemⓄ Long pin: PhBz.Tin plated.
- ItemⓄ Left cover:Thermoplastic (UL94V-0)
- ItemⓄ Right cover:Thermoplastic (UL94V-0)

Electrical cULus

- Voltage rating: 300V
- Current rating: 2A
- Wire range:
- Phsh-Wire Connection: AWG 16-20 "sol"
- Wire strip length: 7.5-8.5mm
- IDC Connection: AWG 22 "sol"
- Withstanding Voltage: 1.6KV
- Operating temperature: -40°C to +115°C
- Soldering temperature: 260°C±5°C/5 Sec
- Safety Approval:

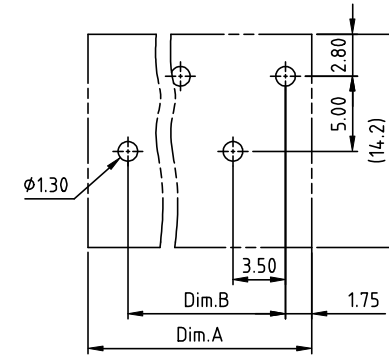
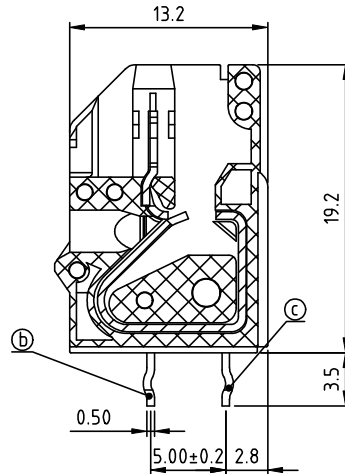
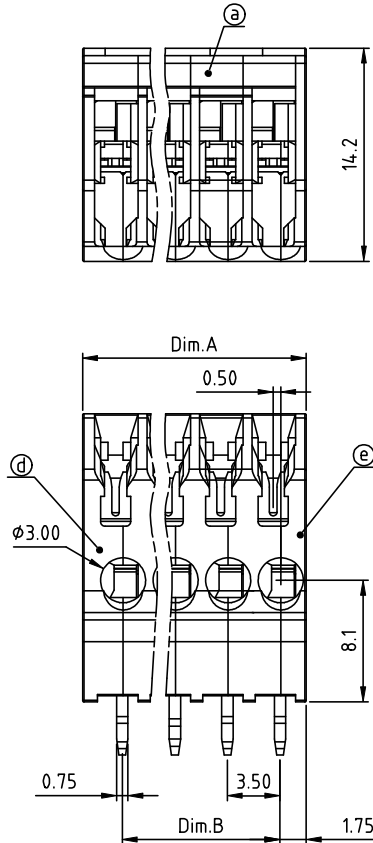
PART NO.: HL xx 00 x 000JO G

| Dimension | |
|-------------------|-----------|
| Dim.A | N×3.5+0.9 |
| Dim.B | (N-1)×3.5 |
| N=Number of poles | |
| Poles | Tolerance |
| 3p/5p | ±0.15 |
| 7p/9p/11p | ±0.25 |

| No. of poles | Color | RoHS compliant |
|--------------|-----------------|---------------------|
| 0 | Black (RAL9005) | (lead<4%) |
| 2 | Red (RAL3001/D) | In copper Alloy |
| 03 | 3 poles | 3 Orange(RAL2011/P) |
| 05 | 5 poles | 4 Yellow(RAL1018/A) |
| ... | ... | 5 Green(RAL6018/T) |
| 11 | 11 poles | 6 Blue (RAL5015/A) |
| | | 8 Grey(RAL7004/P) |
| | | 9 White(RAL1102) |
| | | C Multiple colors |

| | | | | | |
|-------------|----------------|-------------------------|-------------------------|---------------------------------------|--|
| mat'l. code | | surface ASME Y14.5 ✓ | tolerance ASME Y14.5 | projection | product family TERMINAL BLOCK |
| ltr | ecn no | dr | date | tolerances unless otherwise specified | title |
| | | | | angles X.±0.5 | TERMINAL BLOCK |
| | | | | flatness X.X±0.3 | SPRING CLAMP, IDC TYPE, 90D AND 180D WIRE INLET, ODD POLE |
| | | | | total run out X'±1" | scale |
| | | | | dr | EVIN ZHONG 060314 |
| | | | | enrg | EVIN ZHONG 060314 |
| | | | | chr | HANKE FENG 060314 |
| | | | | appd | SHI JUN 060314 |
| sheet index | revision sheet | A | 1 | | FCI |
| | | | | | HLxx00x000JOG |
| | | | | | type CUSTOMER Drawing |
| | | | | | sheet 1 of 2 size A4 |

| | |
|----------------|--------|
| PRODUCT NUMBER | PITCH |
| HLxx00x000JOG | 3.50mm |



RECOMMENDED P.C.B LAYOUT
TOP VIEW

Material:

- Item@ Terminal body: Thermoplastic (UL94V-0)
- ItemⓄ Short pin: PhBz Tin plated.
- ItemⓄ Long pin: PhBz.Tin plated.
- ItemⓄ Left cover:Thermoplastic (UL94V-0)
- ItemⓄ Right cover:Thermoplastic (UL94V-0)

Electrical cULus

- Voltage rating: 300V
- Current rating: 2A
- Wire range:
- Phsh-Wire Connection: AWG 16-20 "sol"
- Wire strip length: 7.5-8.5mm
- IDC Connection: AWG 22 "sol"
- Withstanding Voltage: 1.6KV
- Operating temperature: -40°C to +115°C
- Soldering temperature: 260°C±5°C/5 Sec
- Safety Approval:

PART NO.: HL xx 00 x 000J0 G

| Dimension | |
|-------------------|-----------|
| Dim.A | Nx3.5+0.9 |
| Dim.B | (N-1)×3.5 |
| N=Number of poles | |
| Poles | Tolerance |
| 2p/4p/6p | ±0.15 |
| 8p/10p/12p | ±0.25 |

| No. of poles | Color | RoHS compliant |
|--------------|-------------------|-----------------|
| 0 | Black (RAL9005) | (lead<4%) |
| 2 | Red (RAL3001/D) | In copper Alloy |
| 3 | Orange(RAL2011/P) | |
| 4 | Yellow(RAL1018/A) | |
| 5 | Green(RAL6018/T) | |
| 6 | Blue (RAL5015/A) | |
| 8 | Grey(RAL7004/P) | |
| 9 | White(RAL1102) | |
| C | Multiple colors | |

| | | | | | |
|-------------|------------|-----------------------|-------------------------|---------------------------------------|---|
| mat'l. code | | surface ASME Y14.5 | tolerance ASME Y14.5 | projection | product family TERMINAL BLOCK |
| ltr | ecn no | dr | date | tolerances unless otherwise specified | title |
| | | | | angles X±1° | TERMINAL BLOCK |
| | | | | flatness X.X±0.5 | SPRING CLAMP, IDC TYPE, 90D AND 180D WIRE INLET, EVEN POLE |
| | | | | parallelism X.XX±0.3 | scale |
| | | | | total runout X.XX±0.1 | MM |
| dr | EVIN ZHONG | 060314 | | | scale |
| enr | EVIN ZHONG | 060314 | | | dwg no |
| chr | HANKE FENG | 060314 | | | sheet 2 of 2 size |
| appd | SHI JUN | 060314 | | | HLxx00x000JOG |
| | | | | | A4 |
| sheet | revision | A | | | type |
| index | sheet | 2 | | | CUSTOMER Drawing |

Looking for pricing, stock, or lifecycle information?

Click below to explore more details on WIN SOURCE:

 [View HL11009000J0G on WIN SOURCE](#)

 [Amphenol FCI Information](#)

Optimize Your Supply Chain with WIN SOURCE Solutions

-  Global Sourcing Solution
-  Obsolete Management
-  Cost Control Management
-  Shortage Management
-  Alternative Solution
-  Excess Inventory Management