



THE DATASHEET OF
2-173977-2



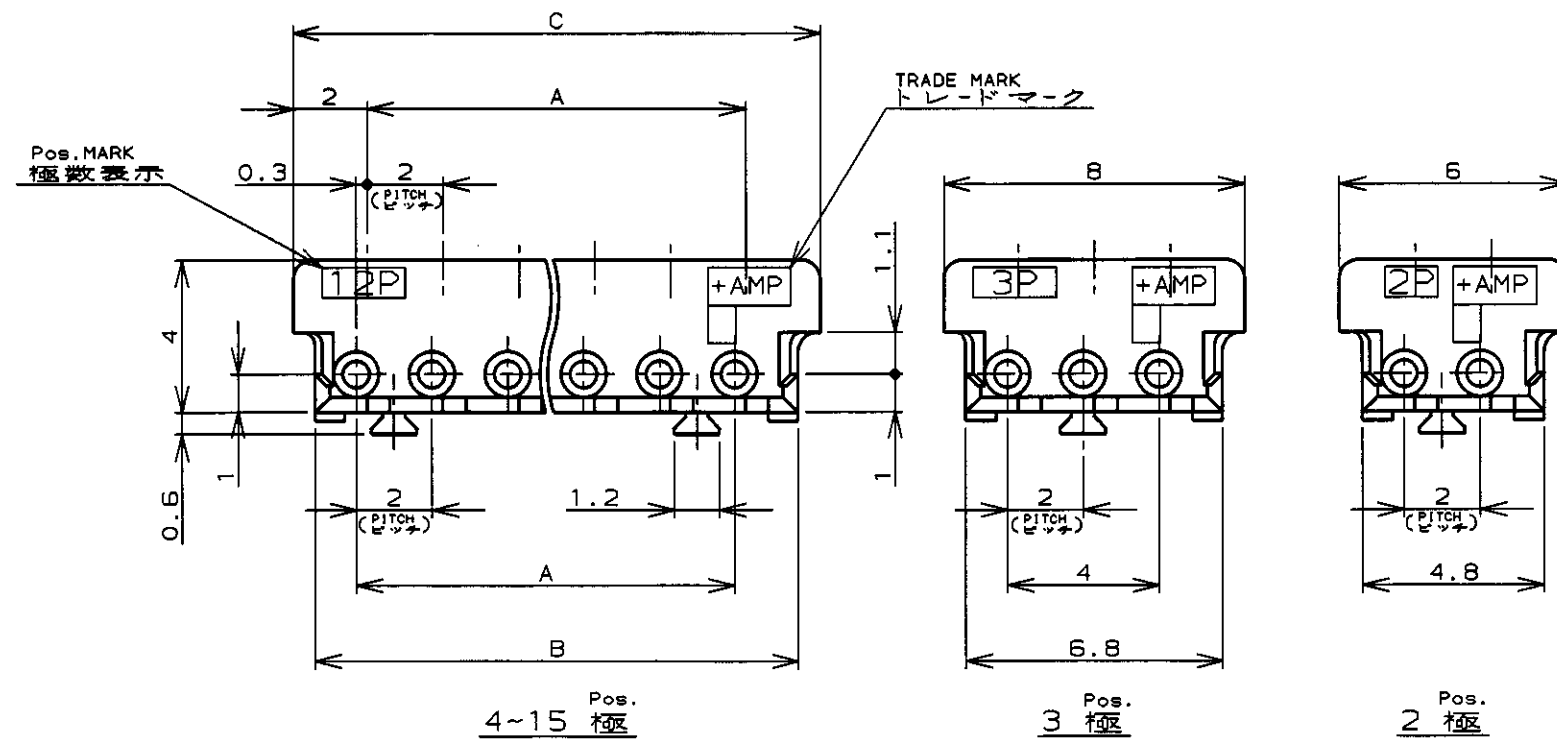
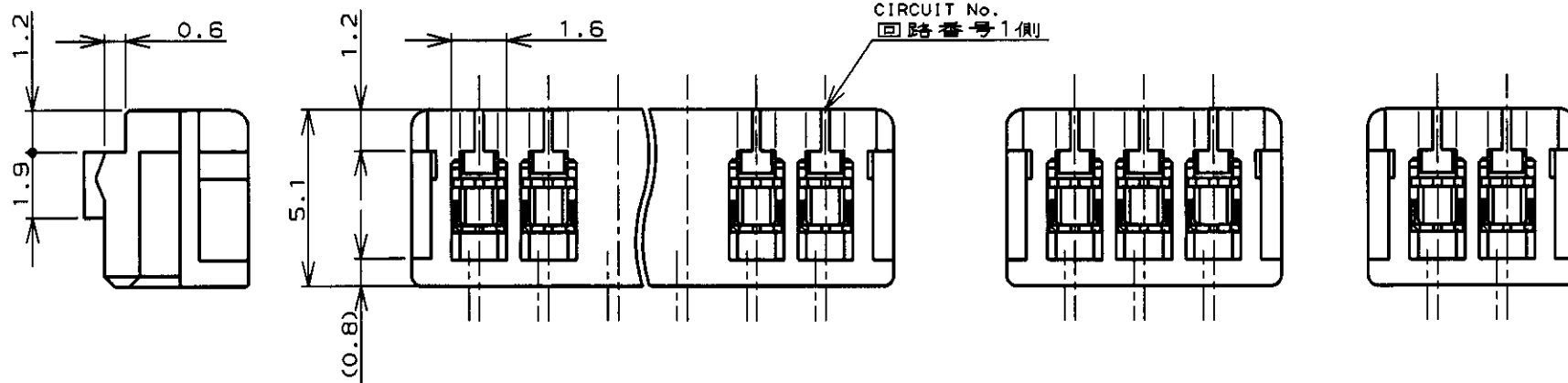
NUMBER C-173977

三角度 (3rd ANGLE PROJECTION)

METRIC

単位: ㎜ DIMENSIONS IN MM. DO NOT SCALE PRINT

PRINT DIST



注記;

- 適用電線範囲 : AWG# 28-26 (UL1571, UL1061)
被覆外径 : 0.83-1.05
- 材料 : ハウジング-ガラス入PBT UL94V-0
コンタクト-錫メッキ済磷青銅
- 運用製品規格番号 : 108-5218
- 取付運用規格番号 : 114-5104

NOTES;

- APPLICABLE WIRE SIZE : AWG# 28-26 (UL1571, UL1061)
INSULATION DIA RANGE : 0.83-1.05
- MATERIAL :
HOUSING : PBT (G.F) UL94V-0
CONTACT : PRE-TIN PHOS-BRONZE
- PRODUCT SPEC : 108-5218
- APPLICATION SPEC : 114-5104

7-173977-5	5-173977-5	3-173977-5	1-173977-5	15	28	30.8	32
7- ↑ -4	5- ↑ -4	3- ↑ -4	1- ↑ -4	14	26	28.8	30
7- -3	5- -3	3- -3	1- -3	13	24	26.8	28
7- -2	5- -2	3- -2	1- -2	12	22	24.8	26
7- -1	5- -1	3- -1	1- -1	11	20	22.8	24
7- -0	5- -0	3- -0	1- -0	10	18	20.8	22
6- -9	4- -9	2- -9		9	16	18.8	20
6- -8	4- -8	2- -8		8	14	16.8	18
6- -7	4- -7	2- -7		7	12	14.8	16
6- -6	4- -6	2- -6		6	10	12.8	14
6- -5	4- -5	2- -5		5	8	10.8	12
6- -4	4- -4	2- -4		4	6	8.8	10
6- -3	4- -3	2- -3		3	-AS SHOWN 図示-		
6-173977-2	4-173977-2	2-173977-2	173977-2	2	-AS SHOWN 図示-		
BLACK 黒色	CREAM YELLOW クリームイエロー	LIGHT BLUE ライトブルー	NATURAL 自然色	POS	A	B	C
PART No. 製品型番				極数	A	B	C

TE Connectivity		
適合電線断面積 (WIRE RANGE) NOTE 1 mm ² (AWG -)	被覆外径 (INSULATION DIA.) NOTE 1 mmφ	名称 (NAME) MT REC HOUSING ASS'Y (AMP CT CONNECTOR 2mm PITCH)
材料 (MATERIAL) NOTE 2	仕上 (FINISH) //	一般公差 (GENERAL TOLERANCE) 10以下 : ±0.2 10を超え 30以下 : ±0.25 30を超え 100以下 : ±0.3 角 度 : ±3°
G2 REVISED PER ECO-11-005033	RK HMR 2APR11	DR. 23/AUG/99 DE. 23/AUG/99
LTR 変更 (REVISION RECORD)	DR CHK DATE	DR. J. TSUJI DE. J. Tsuji
G2 25/AUG/99		APP. 23/AUG/99
G2		REV. G2
SHEET 1 OF 1		番号 (No.) C-173977
尺度 (SCALE) 4-1		REV. G2

G2	REVISED PER ECO-11-005033	RK	HMR	2APR11
LTR	変更 (REVISION RECORD)	DR	CHK	DATE

Looking for pricing, stock, or lifecycle information?

Click below to explore more details on WIN SOURCE:

 [View 2-173977-2 on WIN SOURCE](#)

 [TE Connectivity](#) Information

Optimize Your Supply Chain with WIN SOURCE Solutions

-  Global Sourcing Solution
-  Obsolete Management
-  Cost Control Management
-  Shortage Management
-  Alternative Solution
-  Excess Inventory Management