



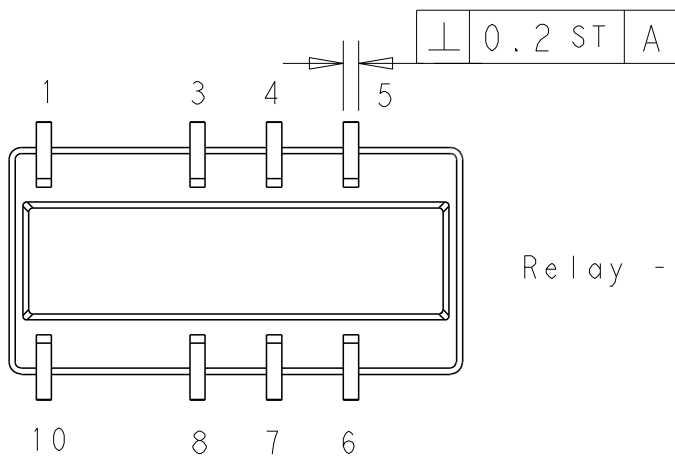
THE DATASHEET OF
2-1462036-8



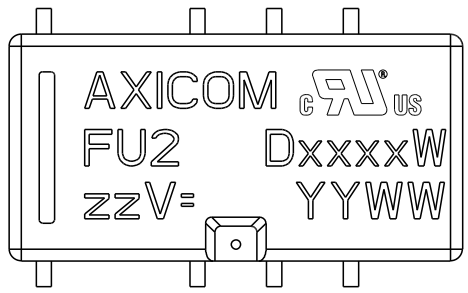
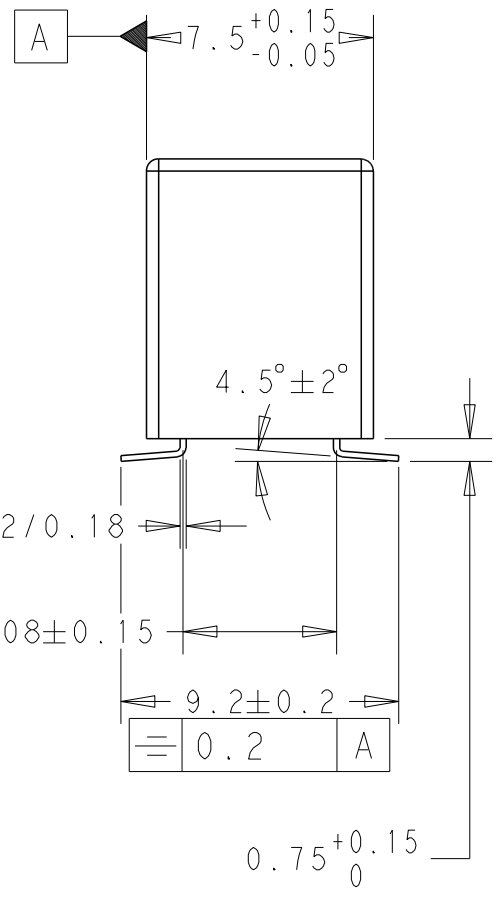
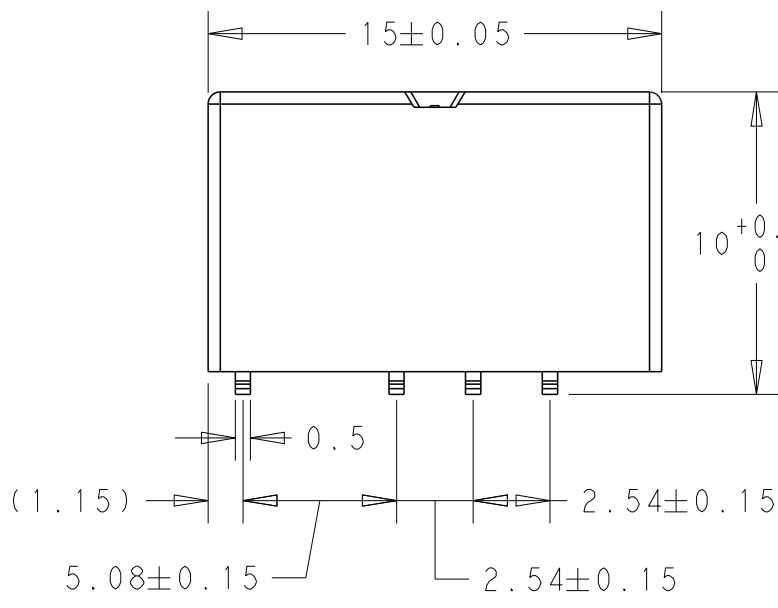
USED ON FU2 SMT long term.

DWG NO
1462036-2

AND AFFILIATES (TE). IT MAY NOT BE DISCLOSED TO ANYONE, OTHER THAN TE PERSONNEL, WITHOUT AUTHORIZATION FROM TE (www.TE.com).



Relay - bottom view





Coplanarity < 0.100 mm

xxxx = Relay Type
zz = Nominal Voltage
YYWW = Date Code

A7	ECR-15-000926	20.1.15	VG	PH	DWN	26-Mar-98	CHK	26-Mar-98	APVD	26-Mar-98				
A6	ECR-11-015637	17.7.13	MV	PH	CW	9196	EG	9192	HD	9121				
A5	ECO-11-005150	21.3.11	RK	HMR	DIMENSIONS: mm			MATERIAL - HT TR -						
					TOLERANCES UNLESS OTHERWISE SPECIFIED:			TE Connectivity NAME FU2-W Relay Dimensional Drawing						
					0 PLC ±- 1 PLC ±0.1 2 PLC ±0.01 3 PLC ±0.005 4 PLC ±0.0001 ANGLES ±-									
LTR	REVISION RECORD	DATE	DWN	APVD	SURFACE TEXTURE									
THIS DRAWING IS A CONTROLLED DOCUMENT.					SCALE	4:1	SIZE/FMT	A4	DRAWING NO	C - 1462036-2	SHEET	1 OF 1	REV	A7

Looking for pricing, stock, or lifecycle information?

Click below to explore more details on WIN SOURCE:

-  [View 2-1462036-8 on WIN SOURCE](#)
-  [TE Connectivity Information](#)

Optimize Your Supply Chain with WIN SOURCE Solutions

-  Global Sourcing Solution
-  Obsolete Management
-  Cost Control Management
-  Shortage Management
-  Alternative Solution
-  Excess Inventory Management