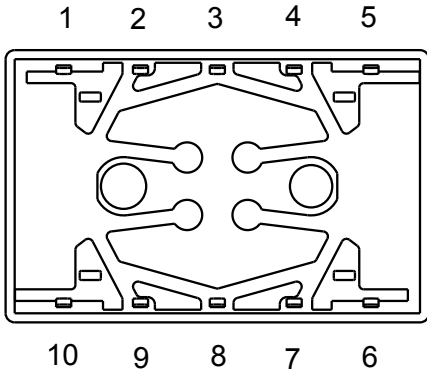




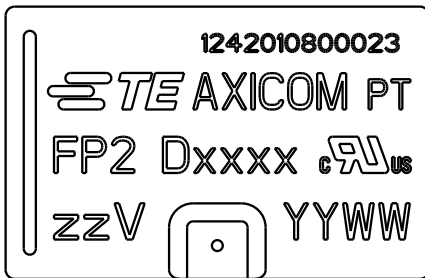
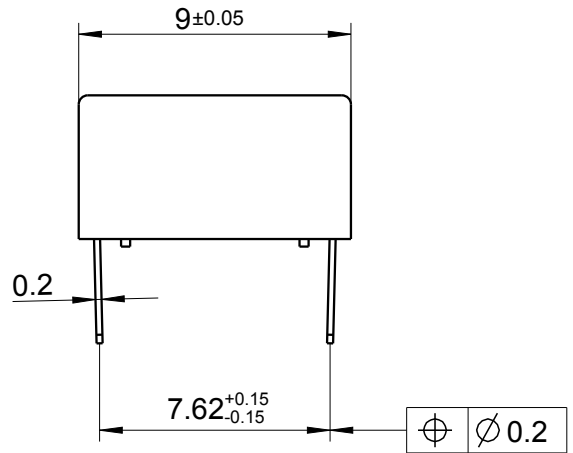
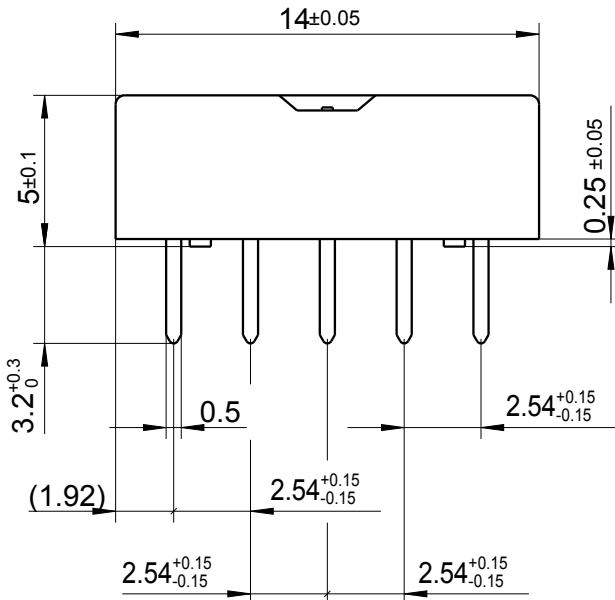
THE DATASHEET OF
2-1462033-1



LOC	DIST	REVISIONS					
		P	LTR	DESCRIPTION	DATE	DWN	APVD
HJ	-						
		A2		Doc change D02239-DOK51 to C-1462033-2	30Jan2006	UKo	HD
		A3		change marking	28Jul2006	UKo	HD
		A4		REVISED PER ECO-11-005150	23MAR2011	RK	HMR
		A5		REVISED PER ECO-13-009556	14JUN2013	UKo	AK



Relay - bottom view



xxxx = Relay type
 zz = nominal voltage
 YYWW = Date code

DRAWING ALIAS: D02239-DOK51

2006

RELEASED FOR PUBLICATION

ALL RIGHTS RESERVED.



THIS DRAWING IS UNPUBLISHED.

© COPYRIGHT 2006

DIMENSIONS: mm		DWN AB 9124 23AUG1995	MATERIAL -	FINISH -			
TOLERANCES UNLESS OTHERWISE SPECIFIED: DIN 7168-m		CHK HD 9121 23AUG1995	TE Connectivity				
0 PLC ±- 1 PLC ±- 2 PLC ±- 3 PLC ±- 4 PLC ±- ANGLES ±-		APVD HD 9121 23AUG1995			NAME FP2-Relay Dimensions		
		PRODUCT SPEC -	SIZE A4	CAGE CODE 00779	DRAWING NO C-1462033-2	RESTRICTED TO -	
		APPLICATION SPEC -	CUSTOMER DRAWING		SCALE 4:1	SHEET 1 OF 1	REV A5
		WEIGHT -					

Looking for pricing, stock, or lifecycle information?

Click below to explore more details on WIN SOURCE:

-  [View 2-1462033-1 on WIN SOURCE](#)
-  [TE Connectivity Information](#)

Optimize Your Supply Chain with WIN SOURCE Solutions

-  Global Sourcing Solution
-  Obsolete Management
-  Cost Control Management
-  Shortage Management
-  Alternative Solution
-  Excess Inventory Management