

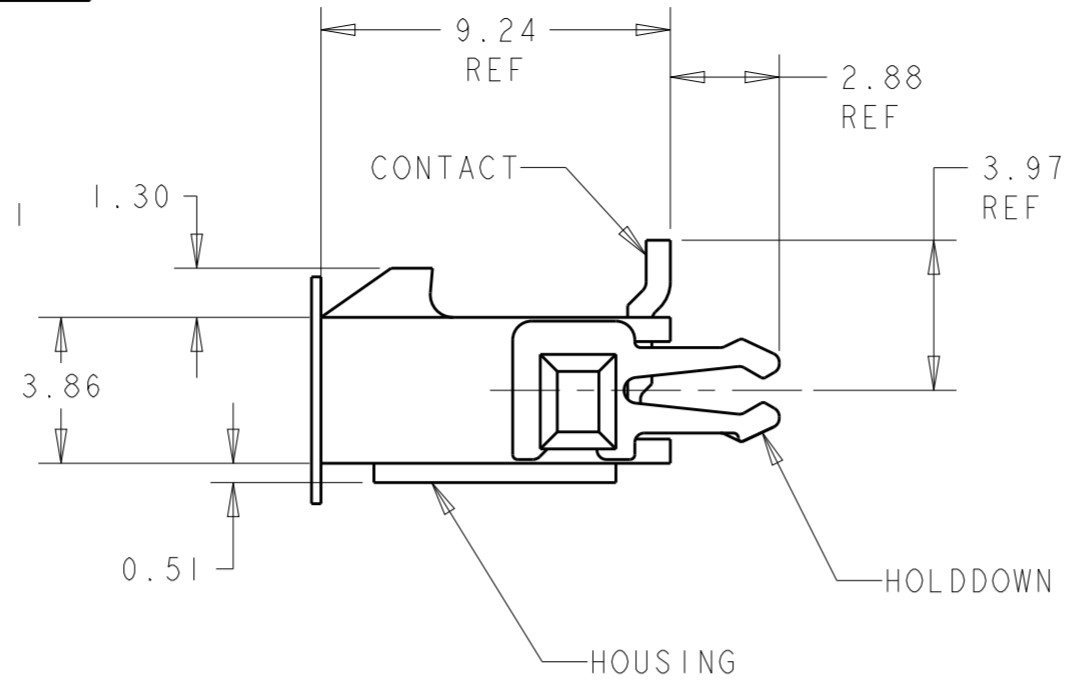
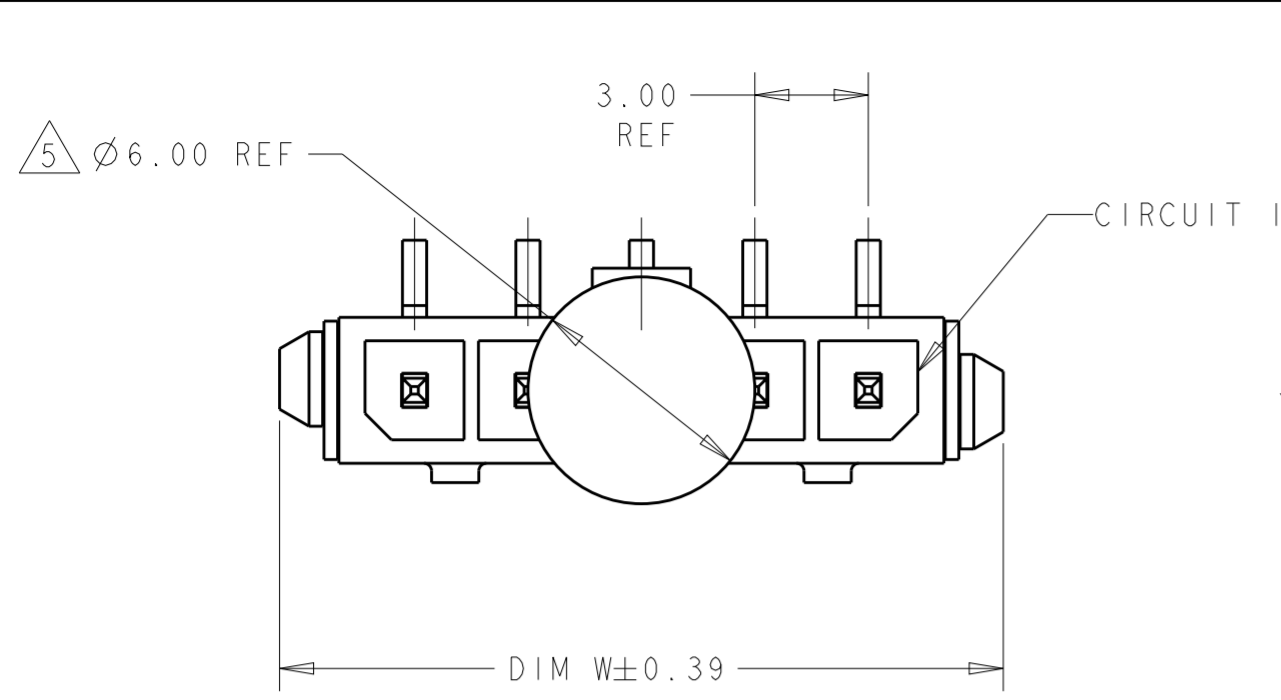


**THE DATASHEET OF**  
**2-1445095-8**

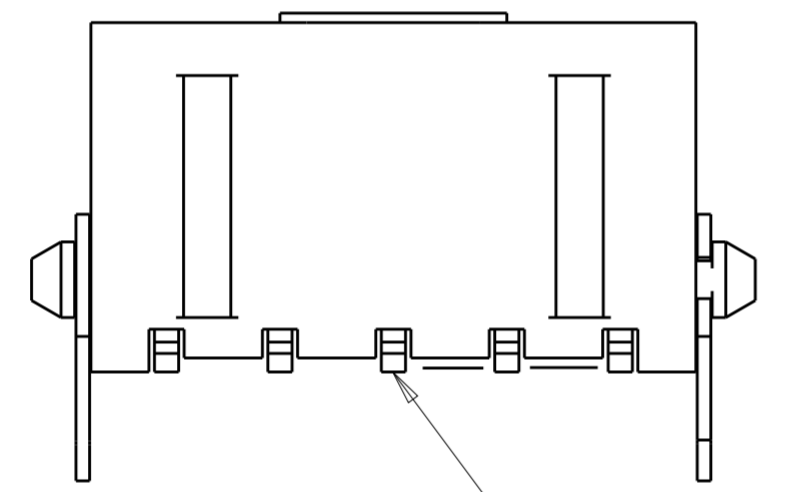


THIS DRAWING IS UNPUBLISHED. RELEASED FOR PUBLICATION 20  
 © COPYRIGHT 20 BY - ALL RIGHTS RESERVED.

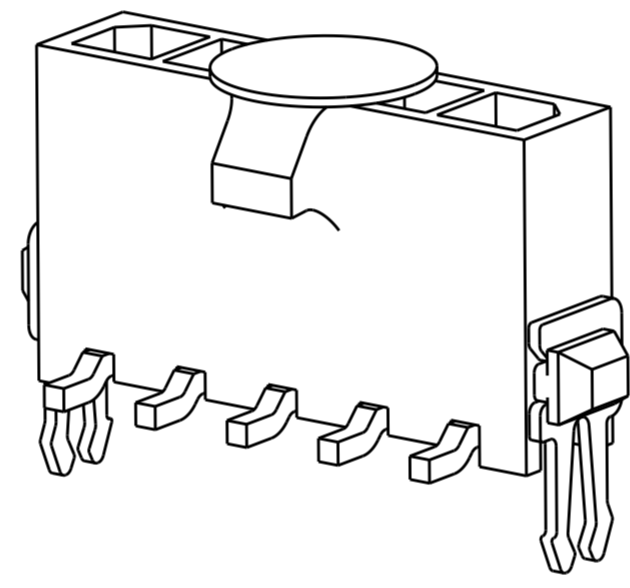
REVISIONS					
P	LTR	DESCRIPTION	DATE	DWN	APVD
C1		REVISED PER ECR-16-011506	23JUN2017	NK	CX
C2		ECO-19-006934	13MAY2019	AP	WS



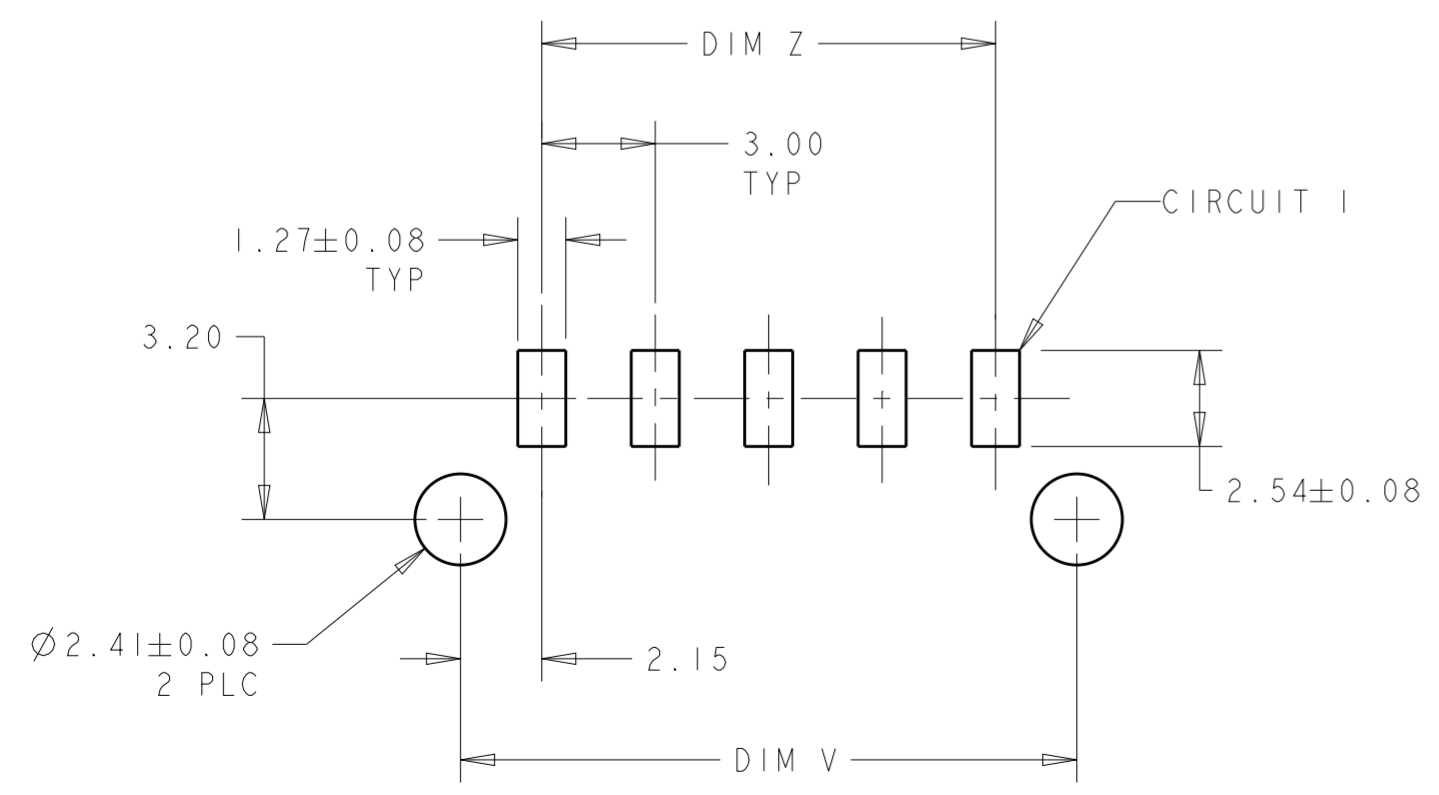
- 1 MATERIAL: CONTACTS - BRASS  
HOUSING - UL 94V-0 RATED HIGH TEMP NYLON, COLOR BLACK.  
HOLDDOWNS: - PHOSPHOR BRONZE.
- 2 PLATING: CONTACTS - 0.76µm MINIMUM GOLD ON MATING END,  
2.54µm MINIMUM TIN LEAD ON SOLDER TAILS, BOTH OVER  
1.27µm MINIMUM NICKEL.  
HOLDDOWNS: 2.54µm MINIMUM MATTE TIN OVER 1.27µm MINIMUM  
NICKEL.
- 4 RECOMMENDED PC BOARD THICKNESS OF 1.57.
- 5 KAPTON VACUUM PICK UP BUTTON.
- 6 PLATING: CONTACTS - 0.76µm MINIMUM GOLD ON MATING END,  
2.54µm MINIMUM MATTE TIN ON SOLDER TAILS, BOTH OVER  
1.27µm MINIMUM NICKEL.  
HOLDDOWNS: 2.54µm MINIMUM MATTE TIN OVER 1.27µm MINIMUM  
NICKEL.



0.15  
 INCLUDES CONTACT TAILS  
 AND HOUSING STANDOFFS



FINISH	DIM Z	DIM V	DIM W	NO. OF POSN	PART NUMBER
6	33.00	37.43	40.00	12	3-1445095-2
6	30.00	34.43	37.00	11	3-1445095-1
6	27.00	31.43	34.00	10	3-1445095-0
6	24.00	28.43	31.00	9	2-1445095-9
6	21.00	25.43	28.00	8	2-1445095-8
6	18.00	22.43	25.00	7	2-1445095-7
6	15.00	19.43	22.00	6	2-1445095-6
6	12.00	16.43	19.00	5	2-1445095-5
6	9.00	13.43	16.00	4	2-1445095-4
6	6.00	10.43	13.00	3	2-1445095-3
6	3.00	7.43	10.00	2	2-1445095-2
2	33.00	37.43	40.00	12	+1445095-2
2	30.00	34.43	37.00	11	+1445095-1
2	27.00	31.43	34.00	10	+1445095-0
2	24.00	28.43	31.00	9	+445095-9
2	21.00	25.43	28.00	8	+445095-8
2	18.00	22.43	25.00	7	+445095-7
2	15.00	19.43	22.00	6	+445095-6
2	12.00	16.43	19.00	5	+445095-5
2	9.00	13.43	16.00	4	+445095-4
2	6.00	10.43	13.00	3	+445095-3
2	3.00	7.43	10.00	2	+445095-2



PCB LAYOUT COMPONENT SIDE 4

SUPERSEDED BY 3-1445095-2	2	33.00	37.43	40.00	12	+1445095-2
SUPERSEDED BY 3-1445095-1	2	30.00	34.43	37.00	11	+1445095-1
SUPERSEDED BY 3-1445095-0	2	27.00	31.43	34.00	10	+1445095-0
SUPERSEDED BY 2-1445095-9	2	24.00	28.43	31.00	9	+445095-9
SUPERSEDED BY 2-1445095-8	2	21.00	25.43	28.00	8	+445095-8
SUPERSEDED BY 2-1445095-7	2	18.00	22.43	25.00	7	+445095-7
SUPERSEDED BY 2-1445095-6	2	15.00	19.43	22.00	6	+445095-6
SUPERSEDED BY 2-1445095-5	2	12.00	16.43	19.00	5	+445095-5
SUPERSEDED BY 2-1445095-4	2	9.00	13.43	16.00	4	+445095-4
SUPERSEDED BY 2-1445095-3	2	6.00	10.43	13.00	3	+445095-3
SUPERSEDED BY 2-1445095-2	2	3.00	7.43	10.00	2	+445095-2

THIS DRAWING IS A CONTROLLED DOCUMENT. DWN J.ROOT 09OCT2000  
 CHK K.WHITAKER 20-FEB-2001  
 APVD C.JONES 20-FEB-2001

**STE** TE Connectivity

NAME: VERTICAL SURF MOUNT HEADER ASSY, 30 MIC GOLD CONTACTS, THRU HOLE HOLDDOWNS, SGL ROW, MICRO MATE-N-LOK™

SIZE: A2 CAGE CODE: 00779 DRAWING NO: C-1445095 RESTRICTED TO: -

MATERIAL: SEE TABLE FINISH: SEE TABLE

PRODUCT SPEC: 108-1836  
 APPLICATION SPEC: 114-13000  
 WEIGHT: -

CUSTOMER DRAWING SCALE: 5:1 SHEET: 1 OF 1 REV: C2

## Looking for pricing, stock, or lifecycle information?

Click below to explore more details on WIN SOURCE:

 [View 2-1445095-8 on WIN SOURCE](#)

 [TE Connectivity](#) Information

## Optimize Your Supply Chain with WIN SOURCE Solutions

-  Global Sourcing Solution
-  Obsolete Management
-  Cost Control Management
-  Shortage Management
-  Alternative Solution
-  Excess Inventory Management