



THE DATASHEET OF
2129318-1

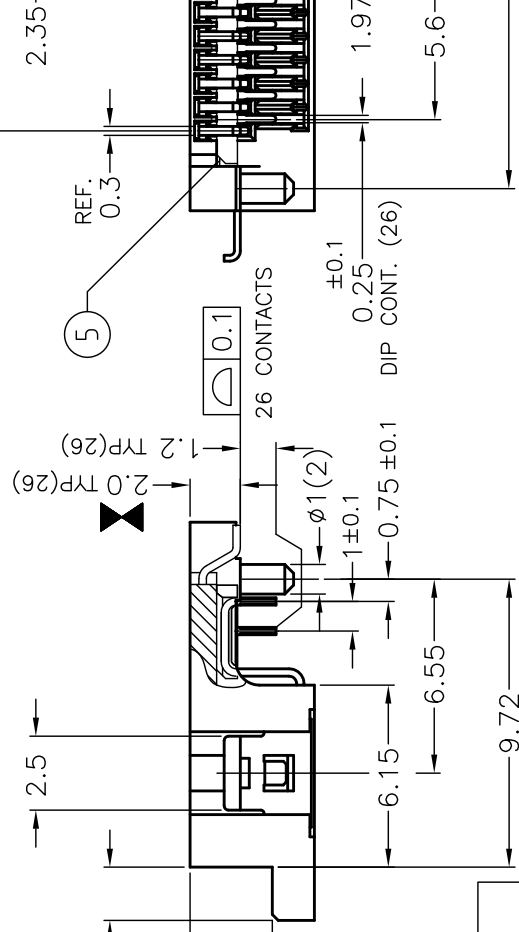
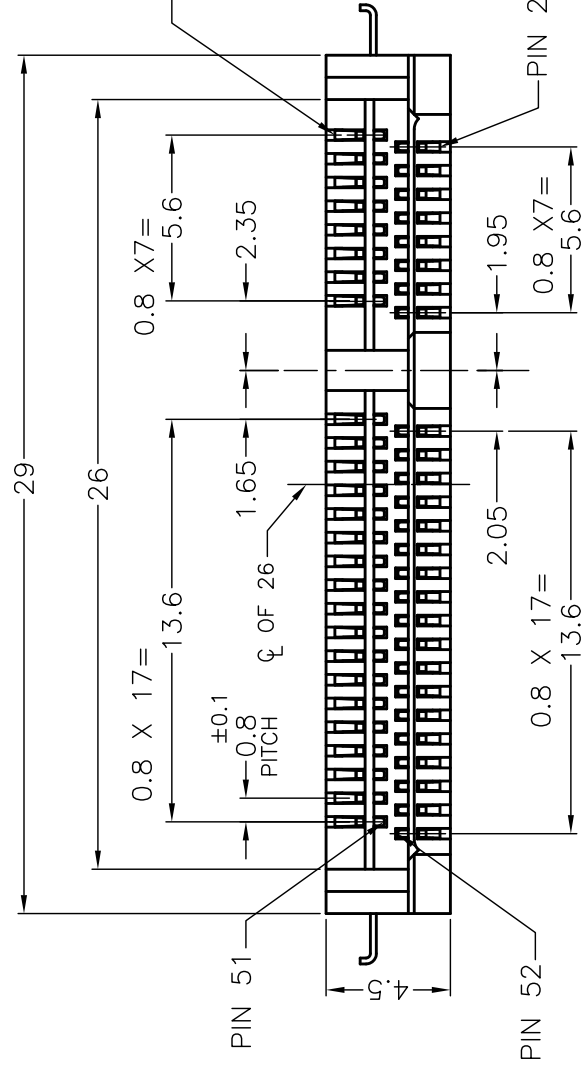
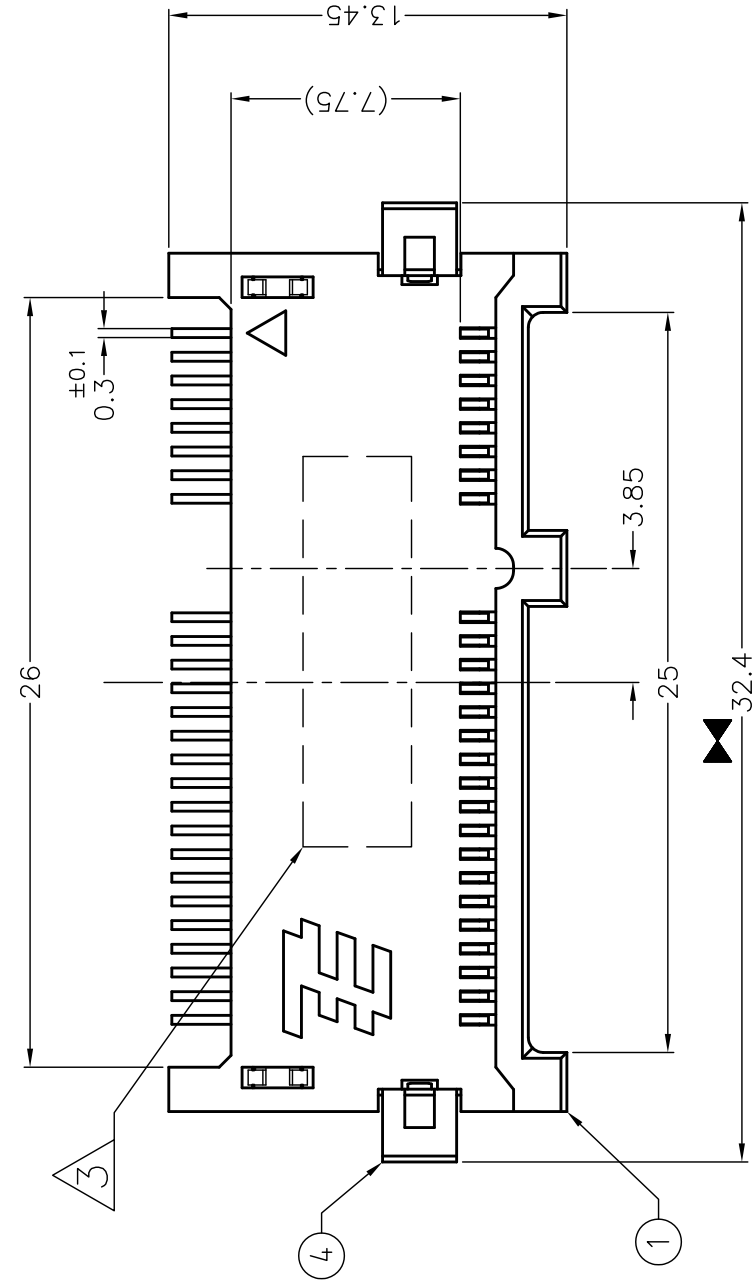


THIS DRAWING IS UNPUBLISHED. RELEASED FOR PUBLICATION
ALL RIGHTS RESERVED.

LOC DW
DIST

P LTR
A RELEA

2129318-1: AS SHOWN



⑤	TINE PLATE	HIGH TEMP THERMOPLASTICS, COLOR:BLACK, UL94 V-0	1	QTY.
④	PEG	COPPER ALLOY	2	
③	LOWER CONT	COPPER ALLOY	26	
②	UPPER CONT	COPPER ALLOY	26	
①	HOUSING	HIGH TEMP THERMOPLASTICS, COLOR:BLACK, UL94 V-0	1	
NO	DESCRIPTION	△ MATERIAL	△ FINISH	

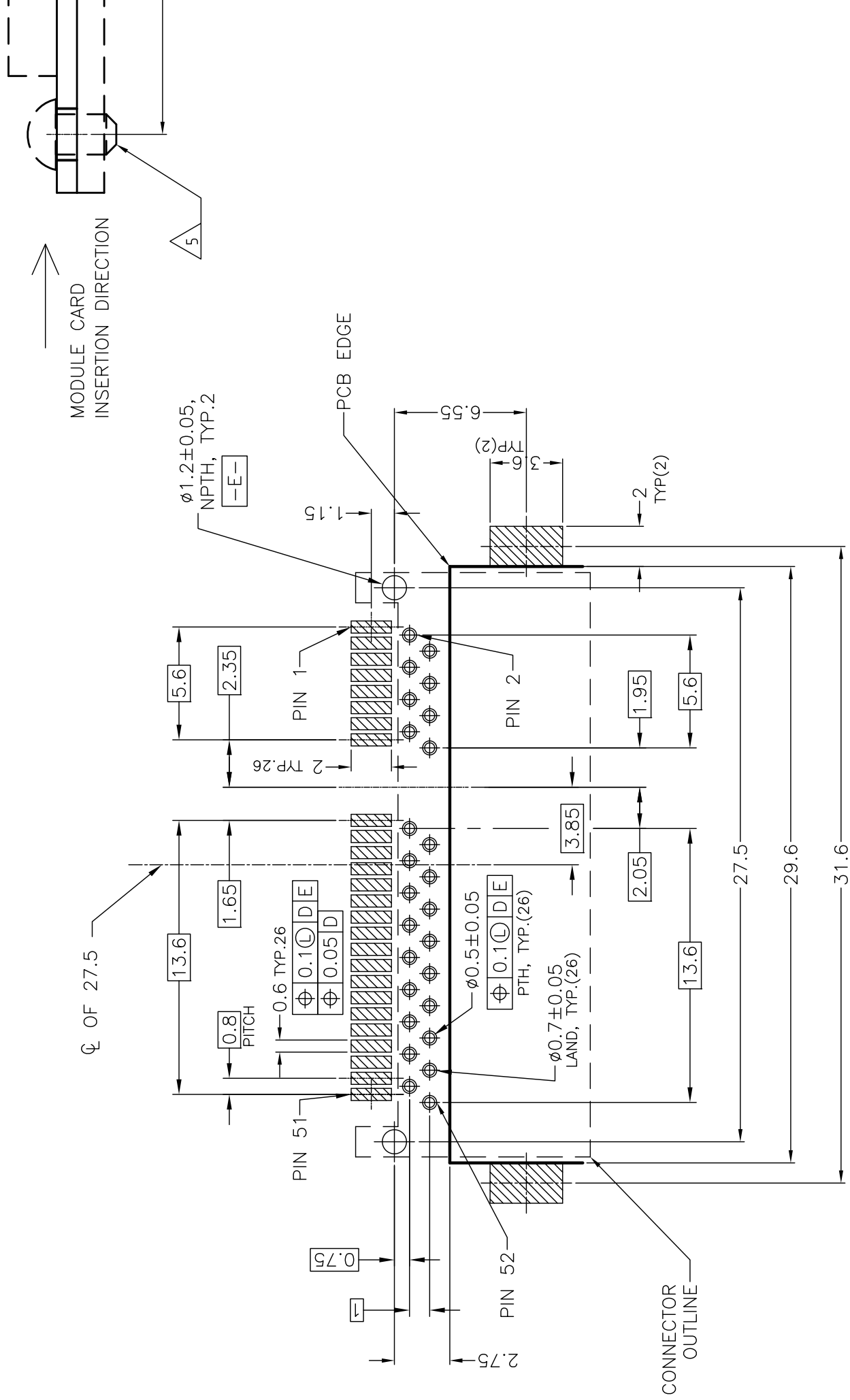
1470-19 (3/11)

THIS DRAWING IS A CONTROLLED DOCUMENT.

DWN 12JUL2010 V.PENG
 CHK 12JUL2010 H.KODAMA
 APVD 12JUL2010 H.KODAMA
 PRODUCT SPEC
 108-99028
 APPLICATION SPEC
 WEIGHT 3.8 GRAM
 CUSTOMER DRAWING

DIMENSIONS:	mm	TOLERANCES UNLESS OTHERWISE SPECIFIED:
		0 PLC ± 0.25
		1 PLC ± 0.25
		2 PLC ± 0.25
		3 PLC ± 0.25
		4 PLC ± 0.25
		ANGLES ± 3°
MATERIAL		FINISH

- 4. -D- IS THE TOP SURFACE OF PCB.
- 5. SCREWS ARE PREPARED BY CUSTOMER.



THIS DRAWING IS A CONTROLLED DOCUMENT.

RECOMMENDED P.C.BOARD LAYOUT
(COMPONENT SIDE)
TOLERANCE:±0.05

DIMENSIONS:		TOLERANCES UNLESS OTHERWISE SPECIFIED:	
mm		0 PLC	± 0.05
		1 PLC	± 0.05
		2 PLC	± 0.05
		3 PLC	± 0.05
		4 PLC	± 0.05
		ANGLES	± 1°
MATERIAL		FINISH	

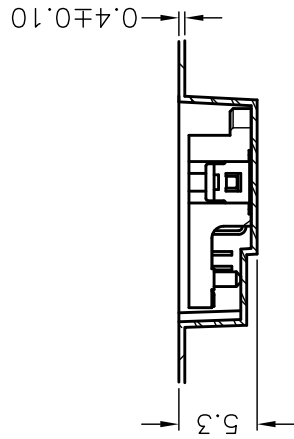
DWN	
CHK	
APVD	
PRODUCT SPEC	
APPLICATION SPEC	
WEIGHT	
CUSTOMER DRAWING	

LOC DW

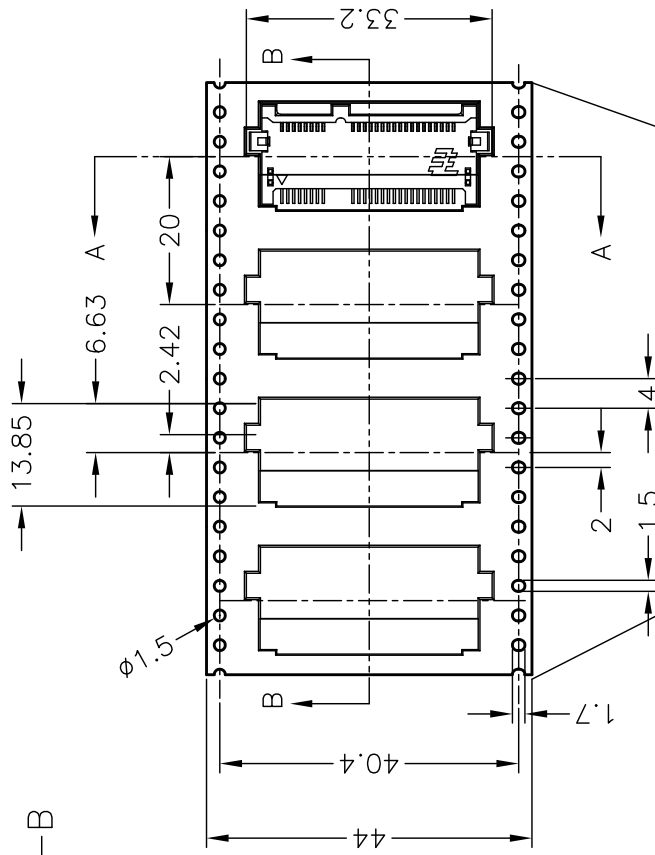
DIST

P LTR

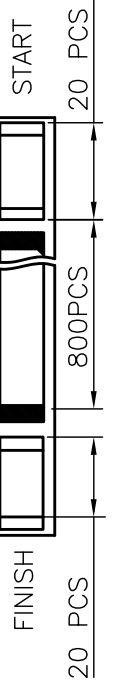
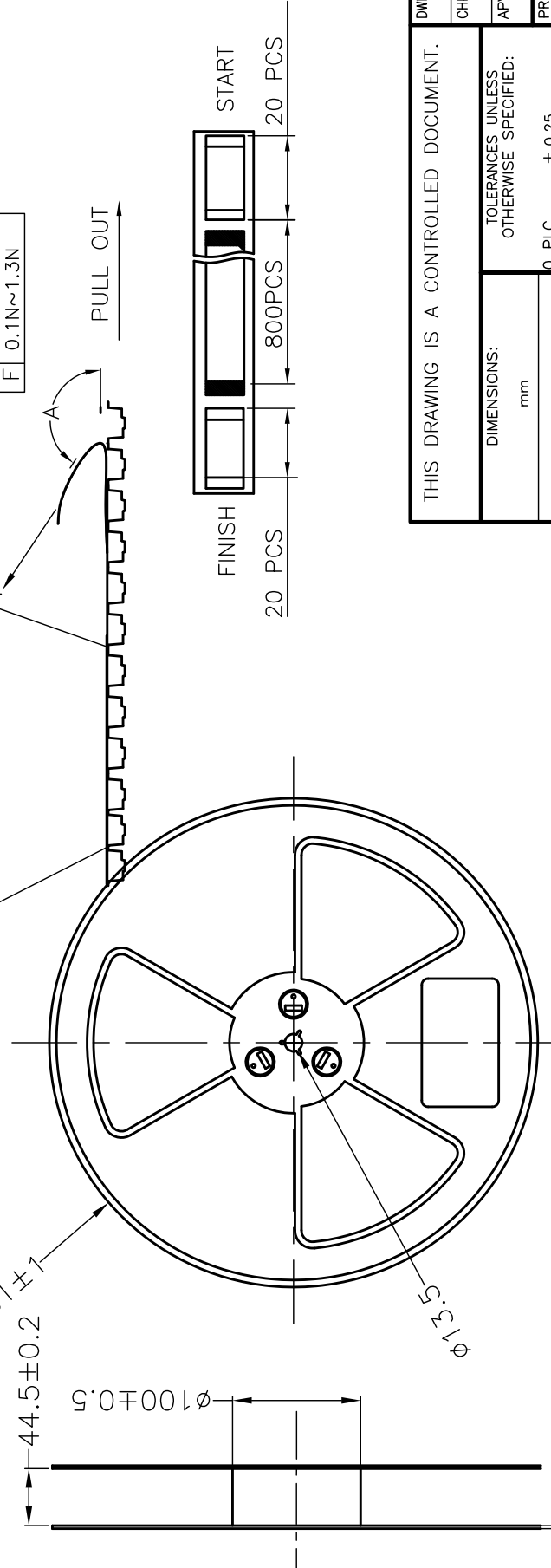
SEE S



- 6. MATER
- 6.1 REE
- 6.2 COV
- 6.3 SHI
- 7. QUANT
- 7.1 PRI
- 7.2 SEC
- 8. PEELIN
- 9. PEELIN



A	170°~180°
F	0.1N~1.3N



THIS DRAWING IS A CONTROLLED DOCUMENT.

DIMENSIONS:	
mm	
MATERIAL	
FINISH	
WEIGHT	
CUSTOMER DRAWING	

TOLERANCES UNLESS OTHERWISE SPECIFIED:	
0 PLC	± 0.25
1 PLC	± 0.25
2 PLC	± 0.25
3 PLC	± 0.25
4 PLC	± 0.25
ANGLES	± 3'

DWN	
CHK	
APVD	
PRODUCT SPEC	
APPLICATION SPEC	
WEIGHT	
CUSTOMER DRAWING	

Looking for pricing, stock, or lifecycle information?

Click below to explore more details on WIN SOURCE:

[View 2129318-1 on WIN SOURCE](#)

[TE Connectivity Information](#)

Optimize Your Supply Chain with WIN SOURCE Solutions

- ✓ Global Sourcing Solution
- ✓ Obsolete Management
- ✓ Cost Control Management
- ✓ Shortage Management
- ✓ Alternative Solution
- ✓ Excess Inventory Management