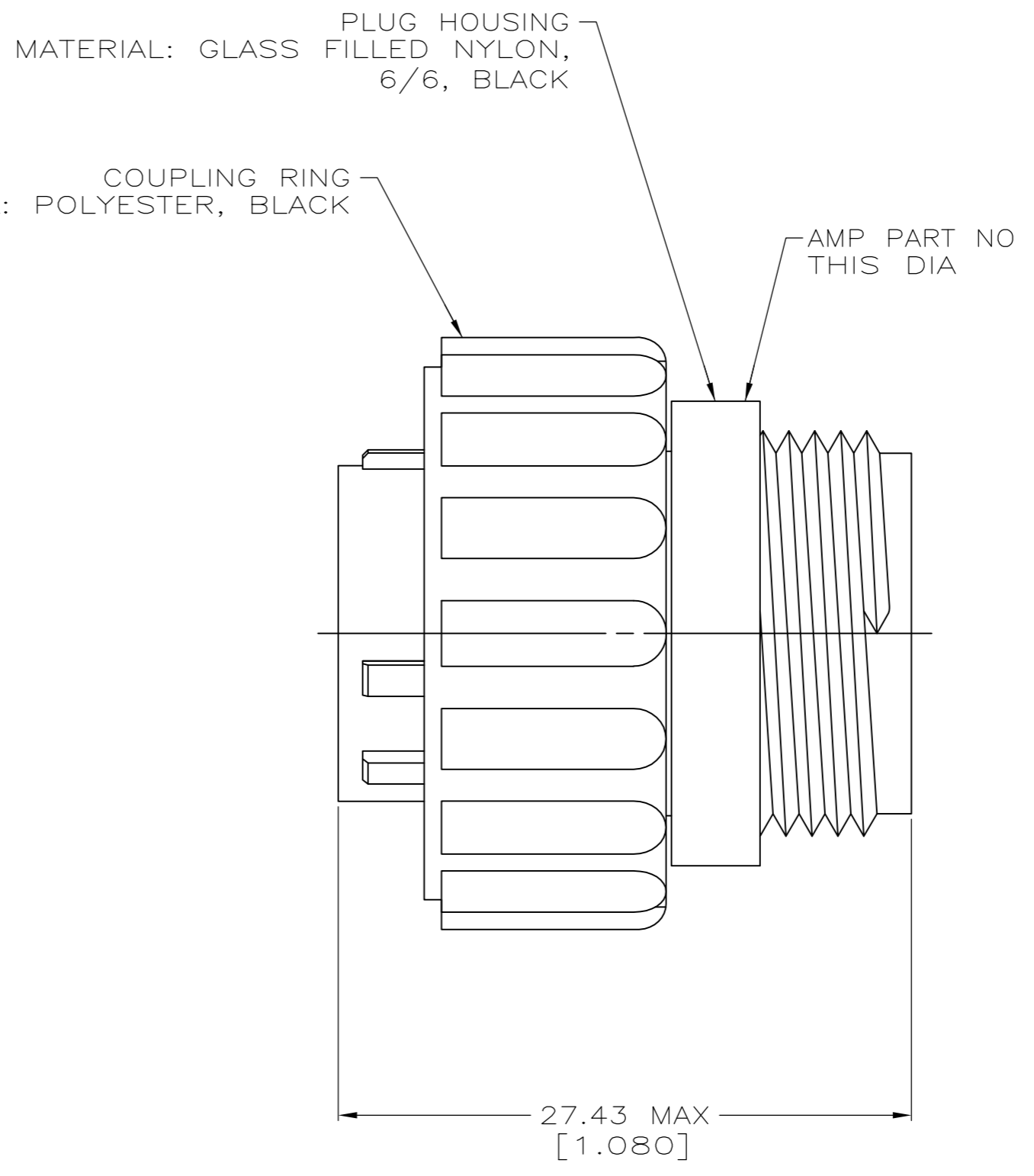
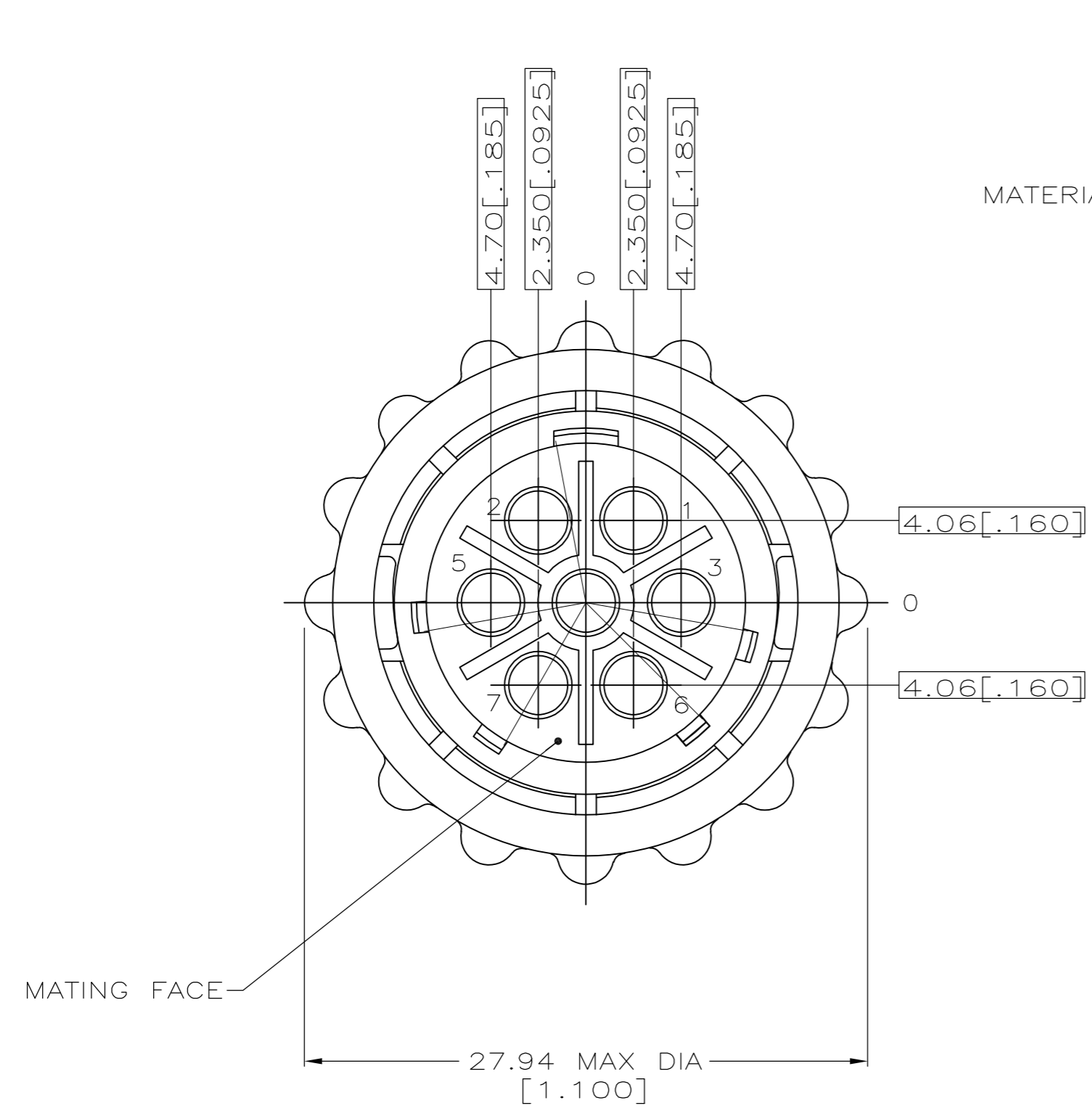




THE DATASHEET OF
211399-1






- CONTACT CAVITIES IDENTIFIED BY CHARACTERS ON FRONT AND REAR FACES OF CONNECTOR.
- WILL ACCEPT SEVEN (7) MULTIMATE SOCKET CONTACTS.

THIS DRAWING IS A CONTROLLED DOCUMENT FOR AMP INCORPORATED. IT IS SUBJECT TO CHANGE AND THE CONTROLLING ENGINEERING ORGANIZATION SHOULD BE CONTACTED FOR THE LATEST REVISION.

THIS DRAWING IS A CONTROLLED DOCUMENT.		DWN	D.HARDY	07-01-94	211399-1	
		CHK	R.STONE	08-10-94	PART NO	
		APVD	A.FRANTUM	10-03-94	TE Connectivity	
DIMENSIONS: MM[INCHES]		TOLERANCES UNLESS OTHERWISE SPECIFIED:		NAME		
		0 PLC ± -		PLUG ASSEMBLY, STANDARD SEX, 13-7, CPC		
		1 PLC ± -		SIZE		
		2 PLC ± -		CAGE CODE		
		3 PLC ± -		DRAWING NO		
		4 PLC ± -		RESTRICTED TO		
		ANGLES ± ± -		A2 00779 C-211399		
		FINISH -		SCALE 4:1 SHEET 1 of 1 REV D1		
MATERIAL SEE CALLOUTS		WEIGHT -		CUSTOMER DRAWING		

Looking for pricing, stock, or lifecycle information?

Click below to explore more details on WIN SOURCE:

 [View 211399-1](#) on WIN SOURCE

 [TE Connectivity](#) Information

Optimize Your Supply Chain with WIN SOURCE Solutions

-  Global Sourcing Solution
-  Obsolete Management
-  Cost Control Management
-  Shortage Management
-  Alternative Solution
-  Excess Inventory Management