

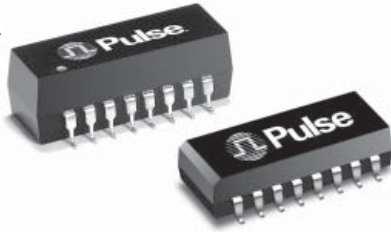


THE DATASHEET OF H1089NLT



10/100 BASE-T SINGLE PORT TRANSFORMER MODULES

With 1:1 Transmit Turns Ratios



- RoHS peak reflow temperature rating: 245°C
- Compatible with Broadcom, Intel, Micrel, National Semiconductor, ICS, and TDK Transceivers
- Meets IEEE 802.3 specification

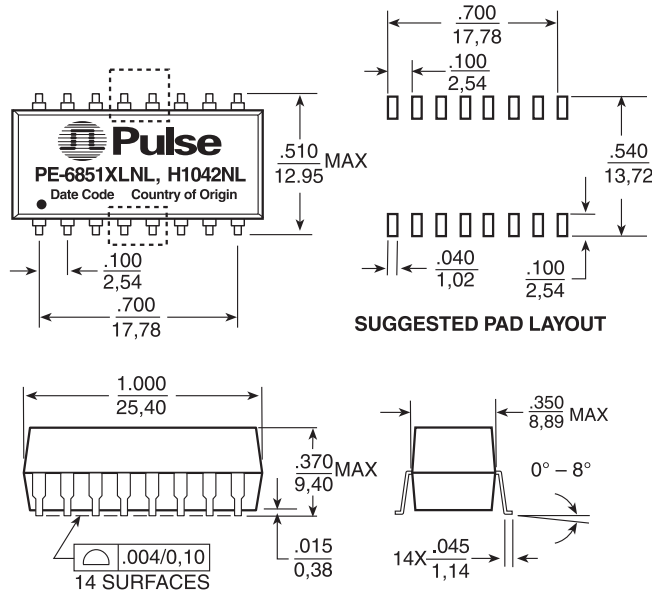
Electrical Specifications @ 25°C — Operating Temperature 0°C to 70°C

RoHS Compliant Part Number	Insertion Loss (dB MAX)	Return Loss (dB MIN @ 100 Ω)				Differential to Common Mode Rejection (dB MIN)			Crosstalk (dB TYP)			Hipot (Vrms MIN)
		0.1-100 MHz	1-30 MHz	40 MHz	50 MHz	60-80 MHz	30 MHz	60 MHz	100 MHz	30 MHz	60 MHz	
H1012NL ^{4d}	-1.0	-20	-20	-18	-14	-42	-36	-33	-50	-40	-40	1500
H1019NL ^{4c}	-1.0	-20	-18	-18	-14	-45	-40	-35	-45	-40	-35	1500
H1042NL ^{4c}	-1.0	-16	-13.5	-11.5	-10	-45	-40	-35	-40	-38	-35	1500
H1086NL ^{4c}	-1.0	-22	-20	-18	-12	-45	-40	-35	-50	-40	-40	1500
H1089NL ^{4c}	-1.0	-22	-20	-18	-12	-42	-38	-32	-50	-40	-40	1500
H1138NL ^{4a}	-0.8	-18	-16	-14	-12	42	-37	-33	-50	-40	-40	1500
HX1148NL ^{2,4d}	-1.5	-18	-13.5	-11.5	-10	-42	-37	-33	-50	-40	-40	1500
HX1178NL ^{2,4d}	-1.5	-18	-13.5	-11.5	-10	-42	-37	-33	-50	-40	-40	1500
PE-68515LNL ^{4d}	-1.0	-18	-18	-16	-12	-50	-45	-40	-55	-50	-50	1500
PE-68517LNL ^{4d}	-1.0	-18	-16	-15	-12	-45	-40	-35	-50	-40	-40	1500
H1338NL ^{4a}	-1.1	-18	-16	-14	-12	-42	-37	-35	-40	-40	-35	1500

1. Rise time optimized for National's DP83843.
2. Operating temperature: -40°+ 85°C.
3. When ordering Tape & Reel packaging, add a "T" suffix to the end of the part number, e.g. H1012NLT
4. MSL = Moisture Sensitivity Level: a = 1, b = 2, c = 3, d = 4.

Mechanical

PE-68515LNL, PE-68517LNL, H1042NL



Weight 3.5 grams
 Tube 20/tube
 Tape & Reel 160/reel

10/100 BASE-T SINGLE PORT TRANSFORMER MODULES

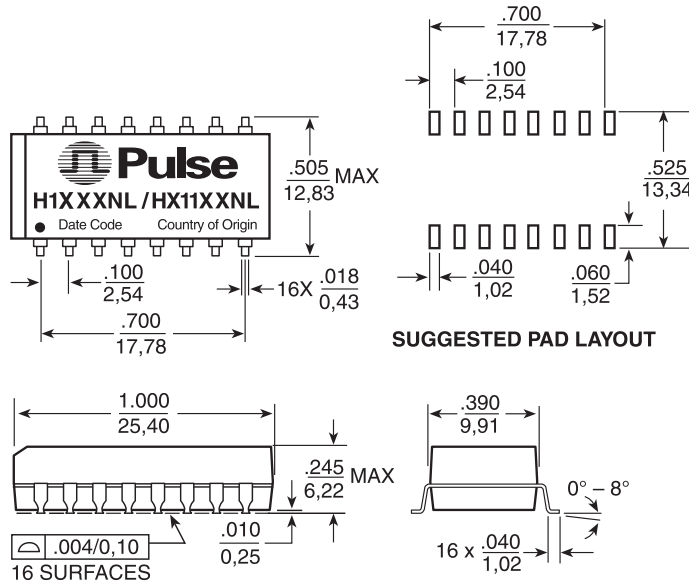
With 1:1 Transmit Turns Ratios



Mechanicals (continued)

H1012NL, H1019NL, H1086NL, H1089NL, H1138NL

HX1148NL, HX1178NL

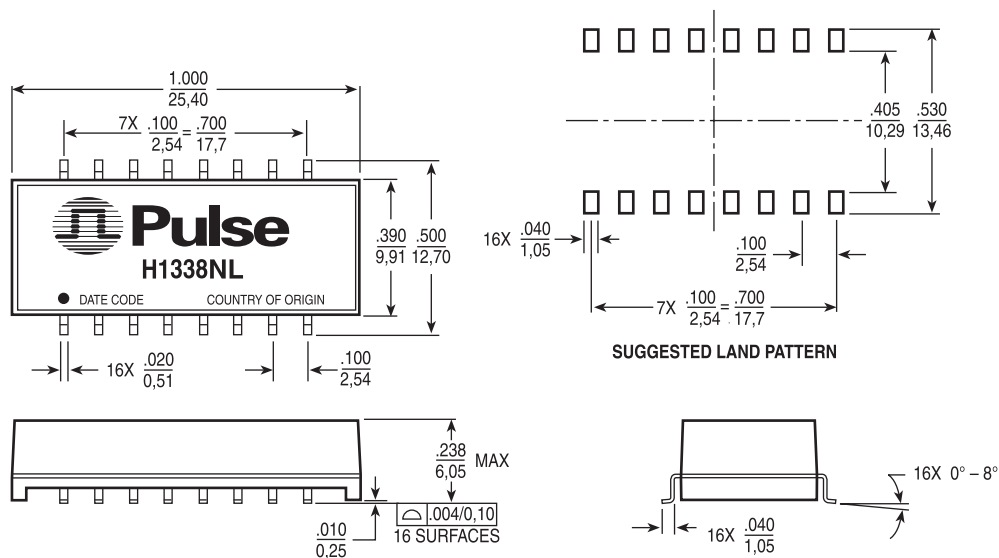


SUGGESTED PAD LAYOUT

Dimensions: $\frac{\text{Inches}}{\text{mm}}$ Unless otherwise specified, all tolerances are $\pm \frac{.010}{0,25}$

Weight 3.0 grams
Tube 20/tube
Tape & Reel 300/reel

H1338NL



SUGGESTED LAND PATTERN

Dimensions: $\frac{\text{Inches}}{\text{mm}}$ Unless otherwise specified, all tolerances are $\pm \frac{.010}{0,25}$

Weight 3.0 grams
Tube 20/tube
Tape & Reel 300/reel

10/100 BASE-T SINGLE PORT TRANSFORMER MODULES

With 1:1 Transmit Turns Ratios

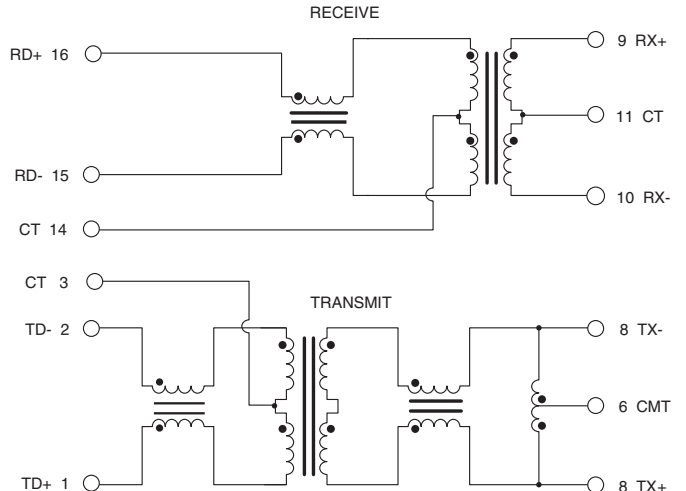
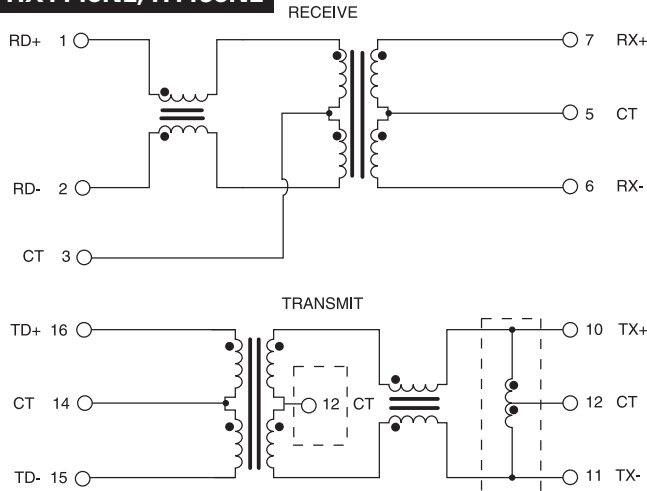


Schematics

PE-68515LNL, H1012NL, H1086NL, H1089NL

PE-68517LNL, H1019NL

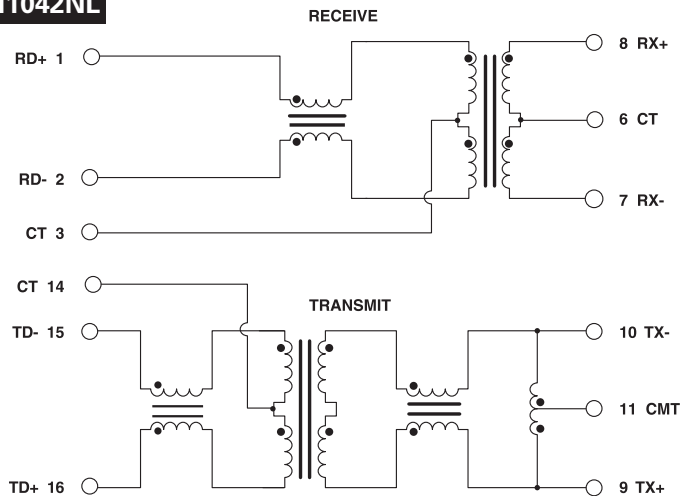
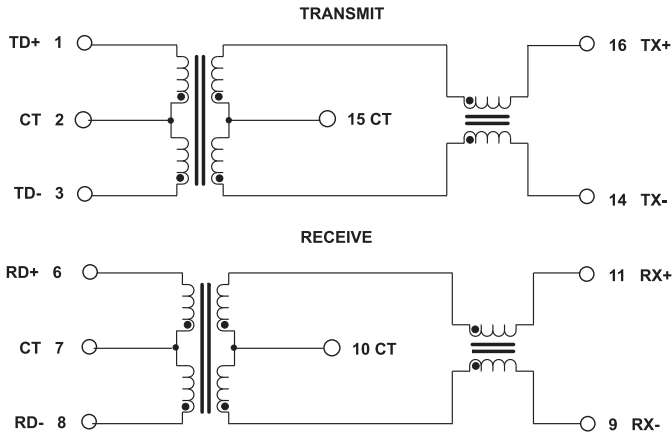
HX1148NL, H1138NL



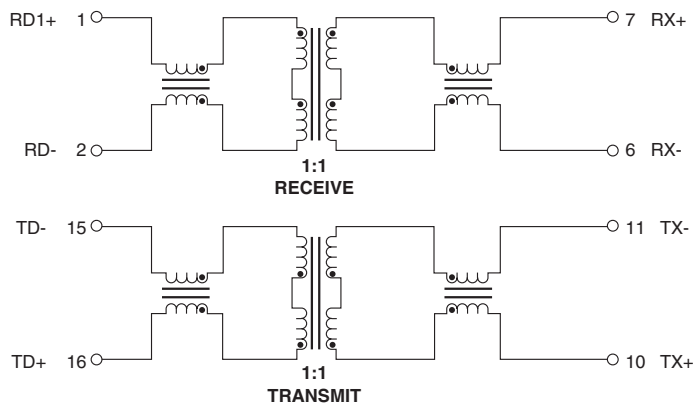
Center-tapped inductor not included in H1089. So, pin 12 connects to the transformer center tap.

HX1178NL

H1042NL



H1338NL



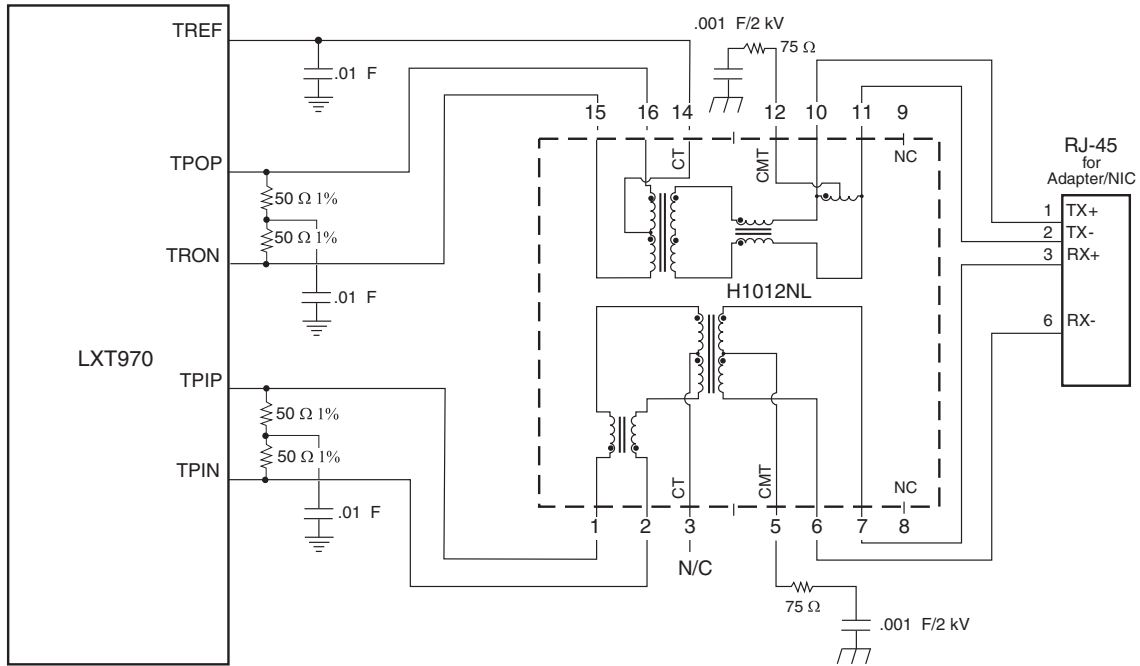
10/100 BASE-T SINGLE PORT TRANSFORMER MODULES

With 1:1 Transmit Turns Ratios

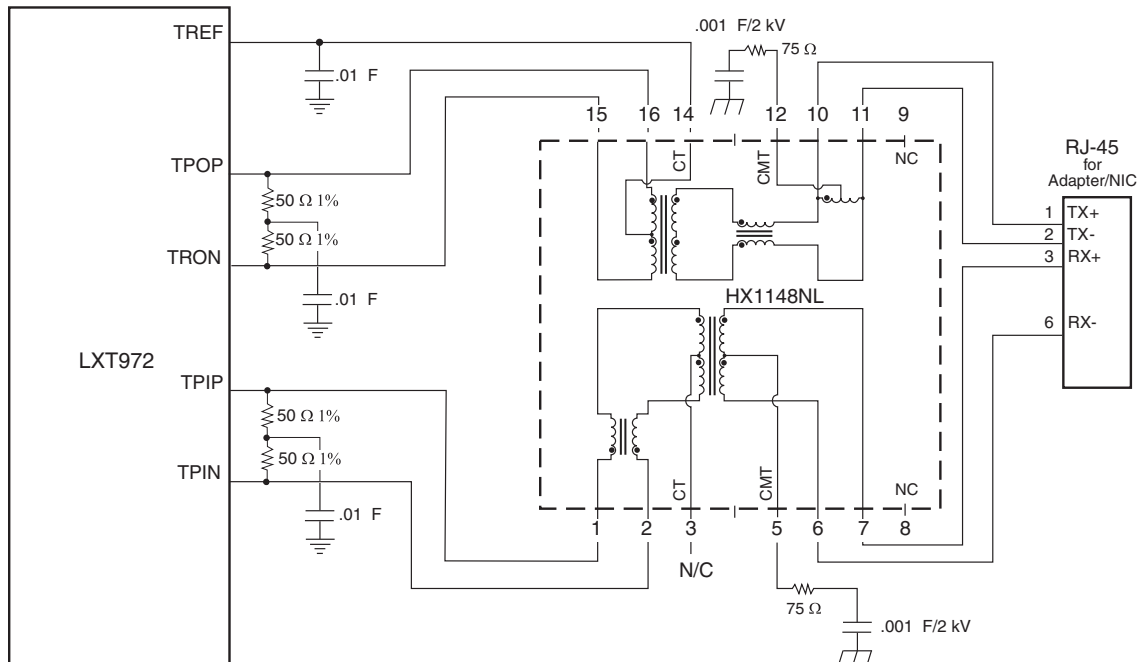


Typical Application Circuits

H1012NL, H1138NL



HX1148NL



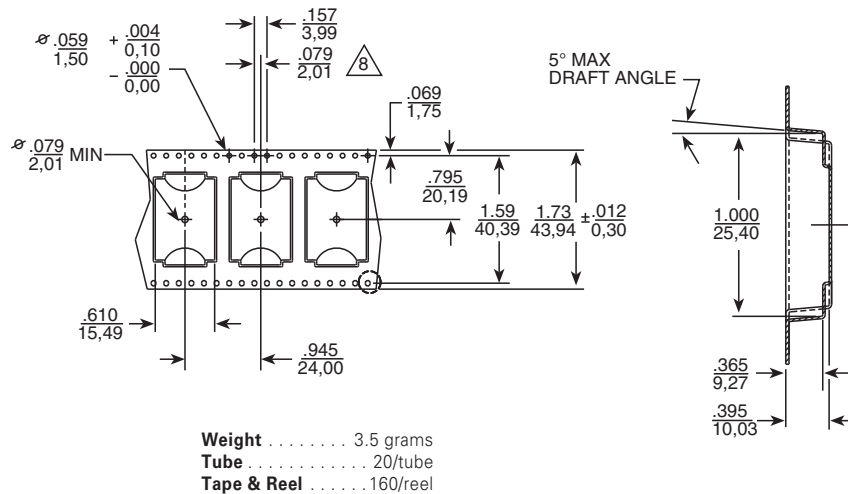
10/100 BASE-T SINGLE PORT TRANSFORMER MODULES

With 1:1 Transmit Turns Ratios



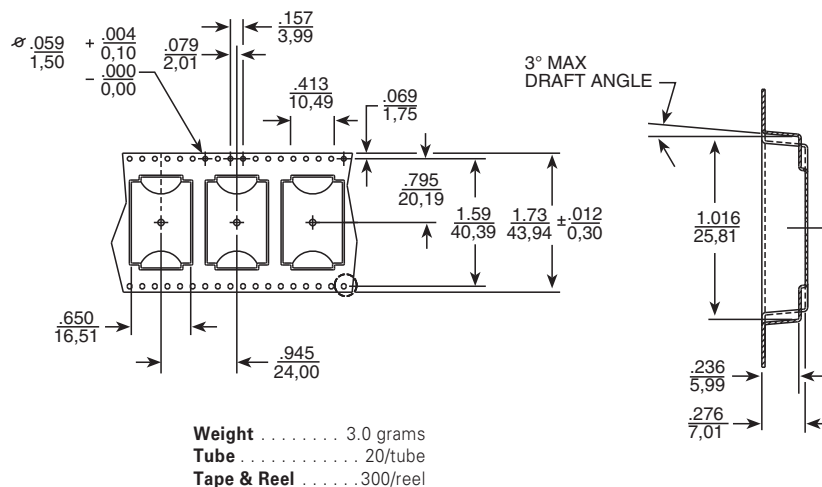
Tape & Reel Specifications

PE-68515LNL, PE-68517LNL, H1042NL



H1012NL, H1019NL, H1086NL, H1089NL, H1138NL,

H1338NL, HX1148NL, HX1178NL



For More Information:

Pulse Worldwide Headquarters	Pulse Europe	Pulse China Headquarters	Pulse North China	Pulse South Asia	Pulse North Asia
12220 World Trade Dr. San Diego, CA 92128 U.S.A.	Einsteinstrasse 1 D-71083 Herrenberg Germany	B402, Shenzhen Academy of Aerospace Technology Bldg. 10th Kejinan Rd. High-Tech Zone Nanshan District Shenzhen, PR China 518057	Room 1503 XinYin Building No. 888 YiShan Rd. Shanghai 200233 China	135 Joo Seng Rd. #03-02 PM Industrial Bldg. Singapore 368363	No. 26, Kao Ching Rd. Yang Mei Chen Taoyuan Hsien Taiwan R. O. C.
www.pulseeng.com Tel: 858 674 8100 Fax: 858 674 8262	Tel: 49 7032 7806 0 Fax: 49 7032 7806 135	TEL: 86 755 33966678 FAX: 86 755 33966700	Tel: 86 21 54643211/2 Fax: 86 21 54643210	TEL: 65 6287 8998 FAX: 65 6280 0080	Tel: 886 3 4643715 Fax: 886 3 4641911

Performance warranty of products offered on this data sheet is limited to the parameters specified. Data is subject to change without notice. Other brand and product names mentioned herein may be trademarks or registered trademarks of their respective owners.

© Copyright, 2009, Pulse Engineering, Inc. All rights reserved.

Looking for pricing, stock, or lifecycle information?

Click below to explore more details on WIN SOURCE:

 [View H1089NLT on WIN SOURCE](#)

 [Pulse Information](#)

Optimize Your Supply Chain with WIN SOURCE Solutions

-  Global Sourcing Solution
-  Obsolete Management
-  Cost Control Management
-  Shortage Management
-  Alternative Solution
-  Excess Inventory Management