



**THE DATASHEET OF
H0068ANLT**



10/100 PC Card LAN Magnetic Modules



- RoHS peak reflow temperature rating 245°C
- Low profile packages from .094" (2,39mm) to .078" (1,98mm) for PC card and cardbus applications

Electrical Specifications @ 25°C - Operating Temperature 0°C to +70°C

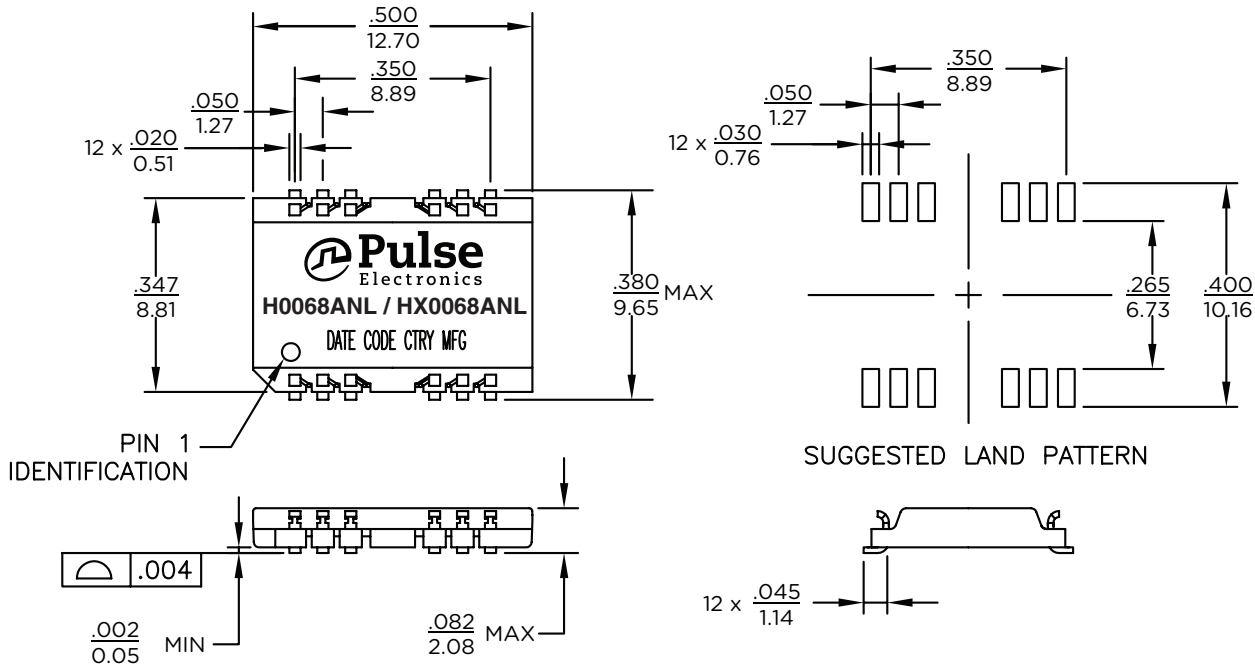
| RoHS Compliant Part Number | Turns Ratio (±5%) | | Insertion Loss (dB MAX) 100 kHz-100 MHz | Return Loss (dB MIN) | | | Differential to Common Mode Rejection (dB MIN) | | | Crosstalk (dB MIN) | | | Hipot (Vrms MIN) |
|----------------------------|-------------------|-----|--|----------------------|--------|--------|--|--------|---------|--------------------|--------|---------|------------------|
| | TX | wRX | | 30 MHz | 60 MHz | 80 MHz | 30 MHz | 50 MHz | 100 MHz | 30 MHz | 62 MHz | 100 MHz | |
| H0013NL ^{2a} | 1:1 | 1:1 | -0.9 | -16 | -12 | -11 | -35 | -33 | -20 | -50 | -45 | -40 | 1500 |
| H0068ANL ^{2a} | 1:1 | 1:1 | -1.0 | -16 | -14 | -12 | -40 | -35 | -30 | -45 | -40 | -37 | 1500 |
| HX0068ANL ^{1,2a} | 1:1 | 1:1 | -1.0 | -16 | -14 | -12 | -40 | -35 | -30 | -45 | -40 | -35 | 1500 |

- Extended operating temperature (-40°C to +85°C)
- MSL (Moisture Sensitivity Level): a = 1, b = 2, c = 3, d = 4, e = 5

Notes: When ordering Tape & Reel packaging, add the suffix "T" to the end of the part number. For example: HX0068ANLT.

Mechanicals

H0068ANL, HX0068ANL

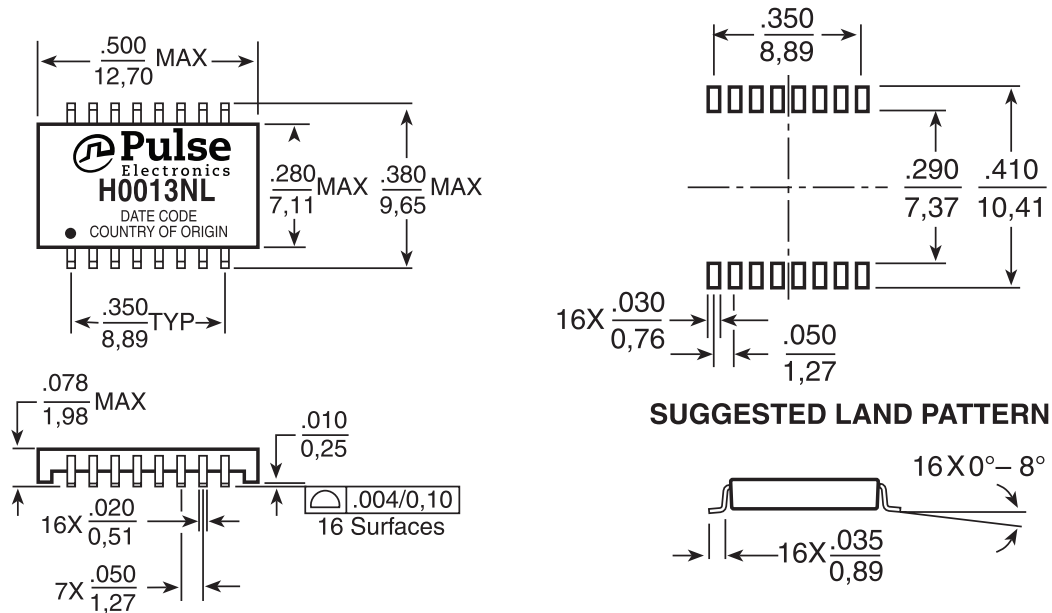


Dimensions: $\frac{\text{Inches}}{\text{mm}}$ Unless otherwise specified, all tolerances are $\pm \frac{.010}{0,25}$

Weight0.4 grams
Tape & Reel2000/Reel
Tube40/Tube

10/100 PC Card LAN Magnetics Modules

H0013NL



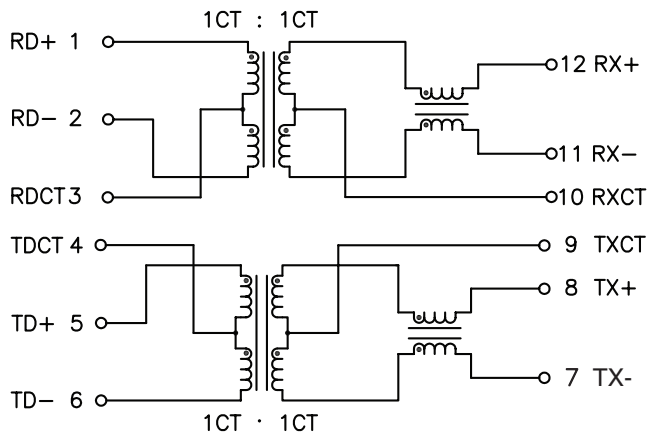
Dimensions:

| | | | |
|--------|----|--|------|
| Inches | mm | Unless otherwise specified, all tolerances are ± | .010 |
| | | | 0,25 |

Weight0.35 grams
Tape & Reel2000/Reel
Tube40/Tube

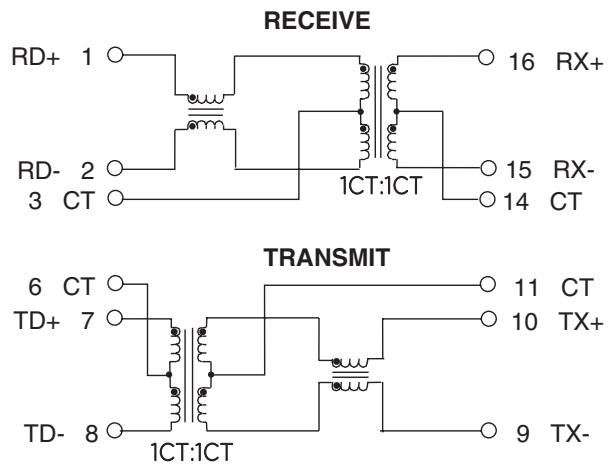
Schematics

H0068ANL, HX0068ANL



Note: This part supports AutoMDIX function, whereby TX and RX channels can be swapped to ease PCB layout

H0013NL



For More Information:

Americas - prodinfonetworkamericas@pulseelectronics.com | Europe - comms-Apps-Europe@pulseelectronics.com | Asia - prodinfonetworkapac@pulseelectronics.com

Performance warranty of products offered on this data sheet is limited to the parameters specified. Data is subject to change without notice. Other brand and product names mentioned herein may be trademarks or registered trademarks of their respective owners. © Copyright, 2019. Pulse Electronics, Inc. All rights reserved.

Looking for pricing, stock, or lifecycle information?

Click below to explore more details on WIN SOURCE:

 [View H0068ANLT on WIN SOURCE](#)

 [Pulse Information](#)

Optimize Your Supply Chain with WIN SOURCE Solutions

-  Global Sourcing Solution
-  Obsolete Management
-  Cost Control Management
-  Shortage Management
-  Alternative Solution
-  Excess Inventory Management