

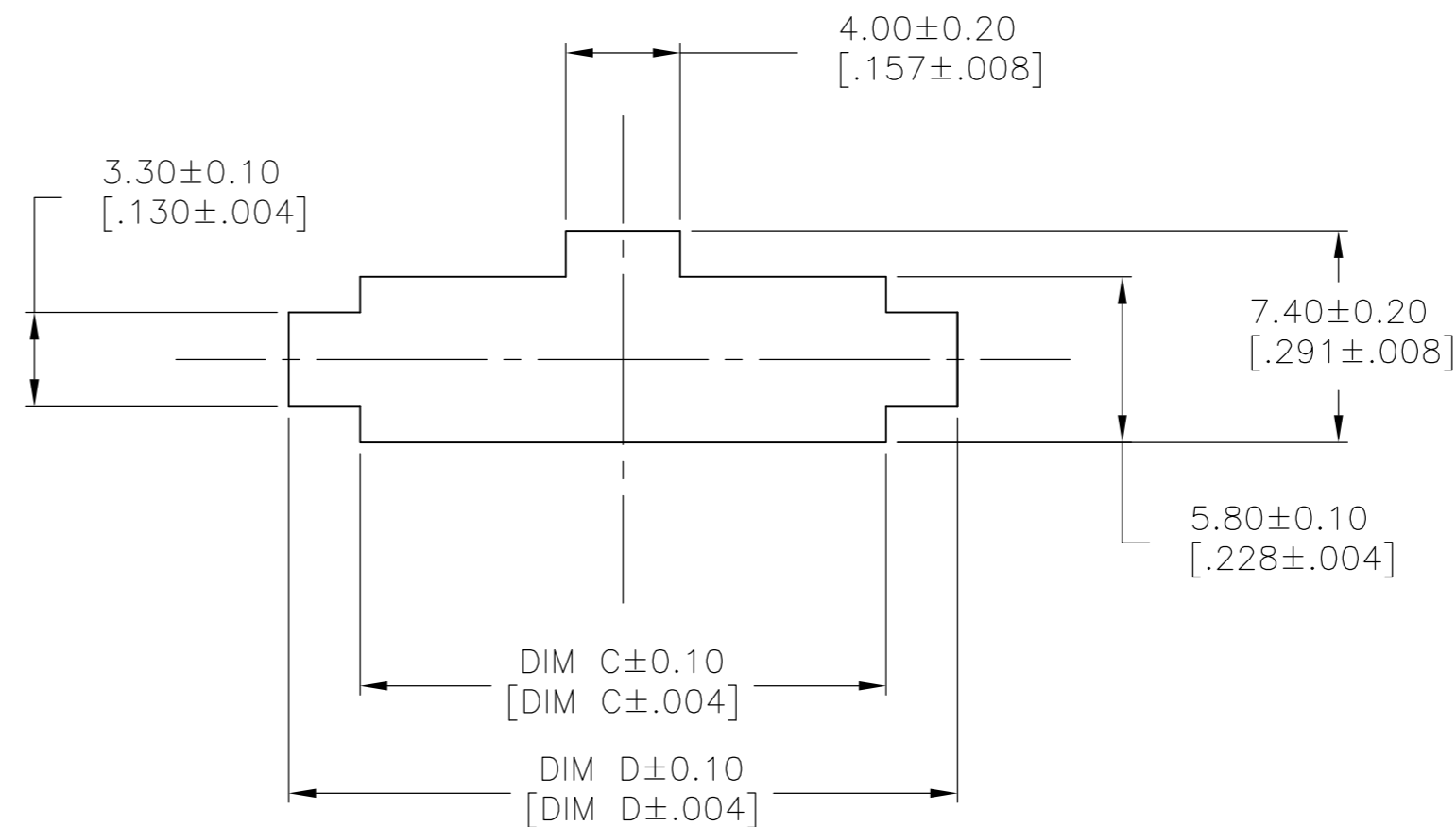
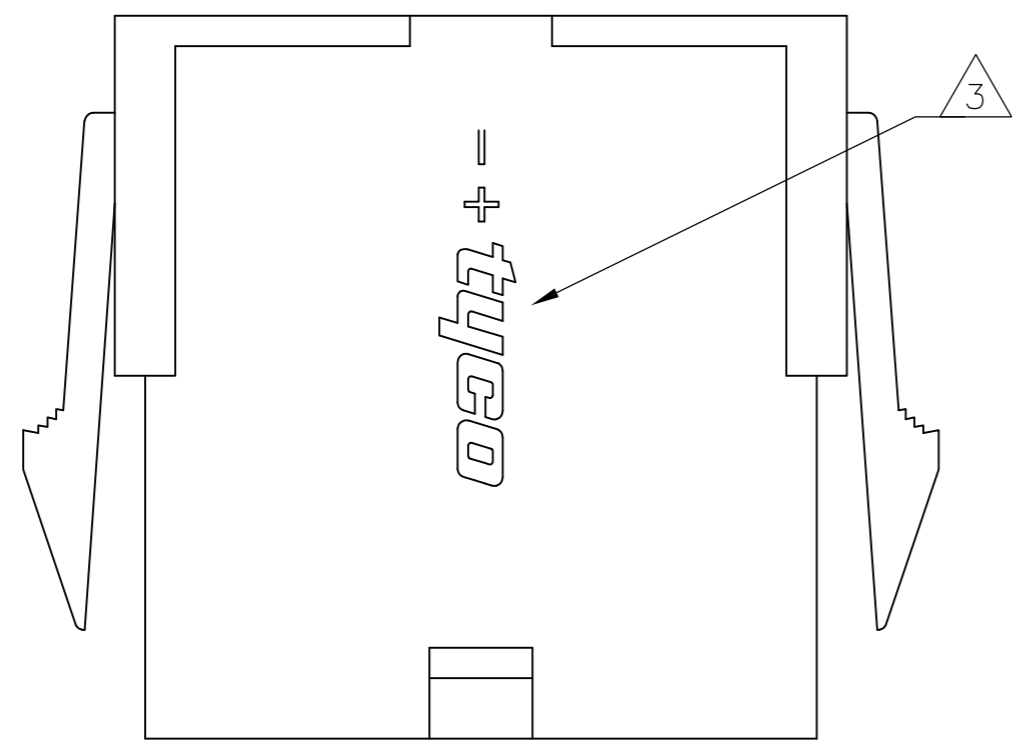


THE DATASHEET OF
2029177-5

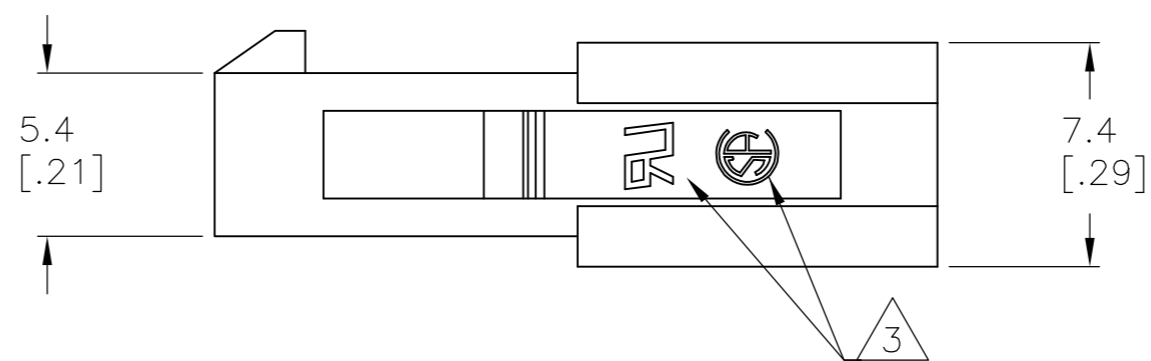
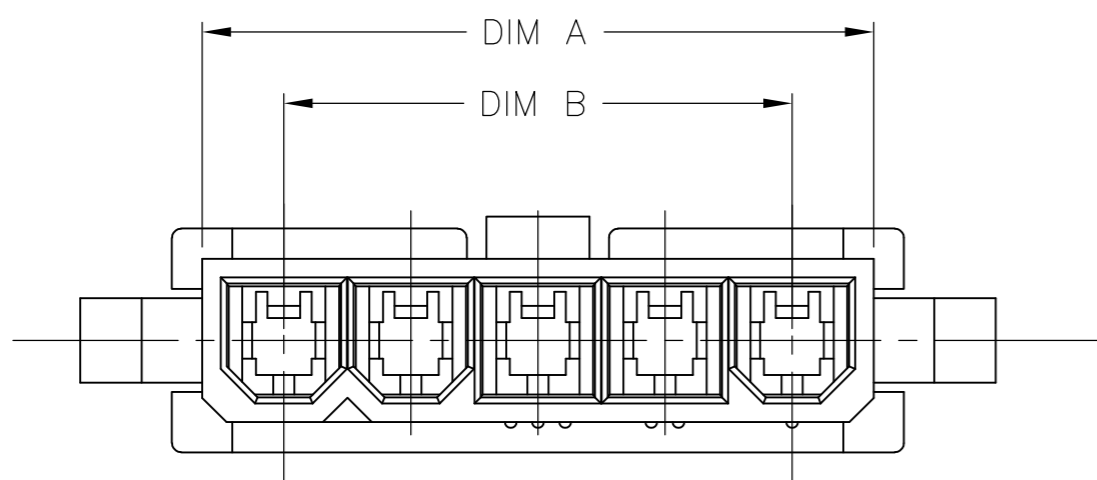


THIS DRAWING IS UNPUBLISHED. RELEASED FOR PUBLICATION
 © COPYRIGHT BY TYCO ELECTRONICS CORPORATION. ALL RIGHTS RESERVED.

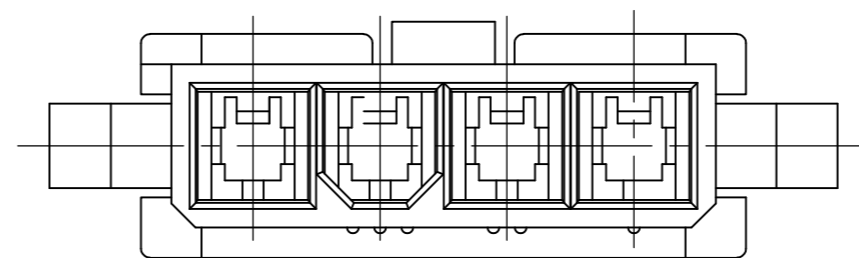
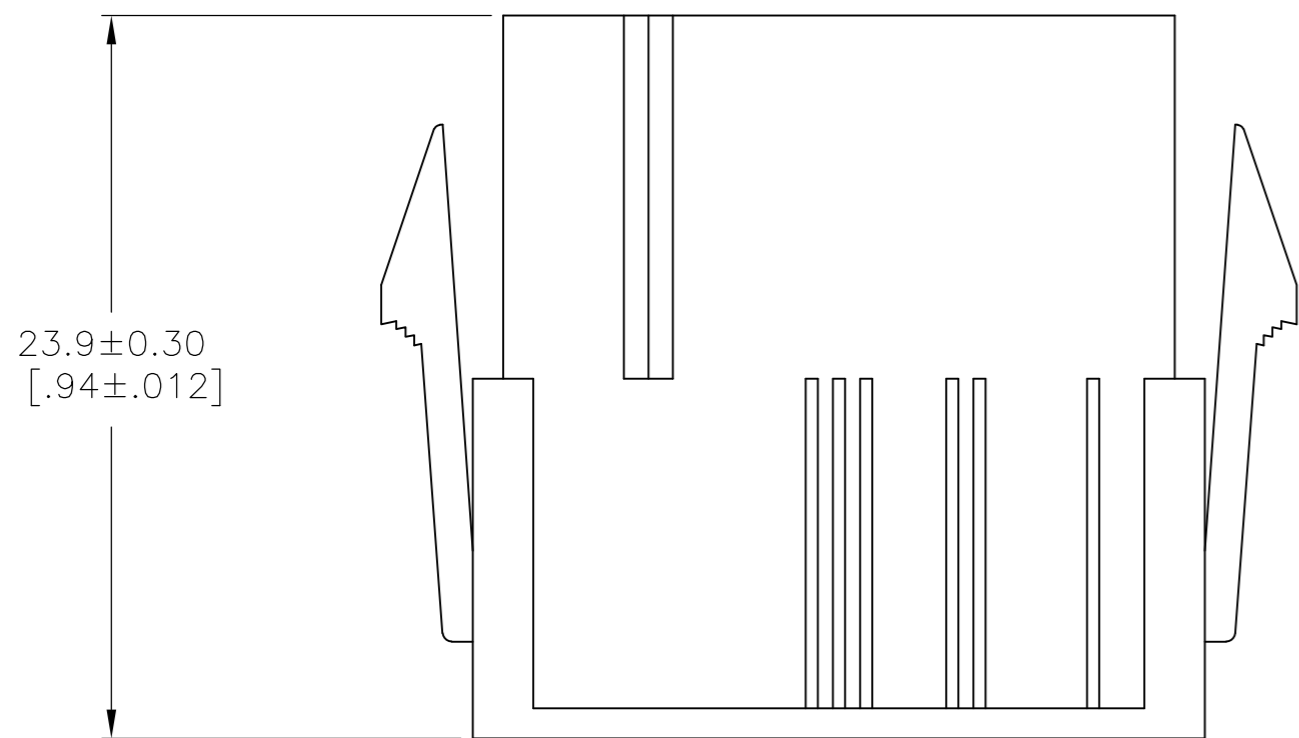
LOC		DIST		REVISIONS			
P	LTR	DESCRIPTION		DATE	DWN	APVD	
CM	00	A	WR-08-45	23SEP08	KW	CC	



RECOMMENDED CUT-OUT FOR 2.00 [.079] MAX THICK PANEL

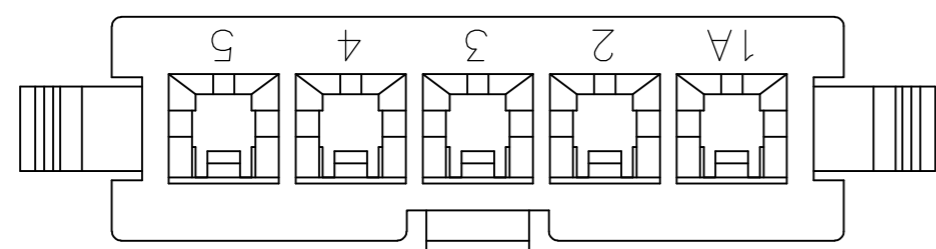


- 1 GLOW WIRE APPROVED, CONTACT TYCO ELECTRONICS ENGINEERING FOR SPECIFICATION.
- 2 PANEL SHOULD BE PUNCHED IN THE DIRECTION OF CONNECTOR INSERTION.
- 3 TE LOGO, UL LOGO, AND CSA LOGO - SIZE, LOCATION, AND ORIENTATION OPTIONAL.



4 POSITION MATING FACE (FOR POLARIZATION IDENTIFICATION)

27.6 [1.09]	22.6 [.89]	16.8 [.66]	22.2 [.87]	5	2029177-5
23.4 [.92]	18.4 [.72]	12.6 [.50]	18.0 [.71]	4	2029177-4
DIM D	DIM C	DIM B	DIM A	POS	PART NUMBER



METRIC

THIS DRAWING IS A CONTROLLED DOCUMENT.

DIMENSIONS: mm [INCHES]	TOLERANCES UNLESS OTHERWISE SPECIFIED:	DWN: K. WHITAKER 23SEP2008	CHK: C. CASH 23SEP2008	APVD: C. CASH 23SEP2008	NAME: Tyco Electronics Corporation, Harrisburg, PA 17105-3608
0 PLC ± -	1 PLC ± 0.1 [.04]	PRODUCT SPEC: -	APPLICATION SPEC: -	WEIGHT: -	SIZE: A2
2 PLC ± -	3 PLC ± -	FINISH: -	WEIGHT: -	CAGE CODE: 00779	DRAWING NO: C=2029177
4 PLC ± -	ANGLES ± -	MATERIAL: -	WEIGHT: -	SCALE: 4:1	SHEET: 1 of 1
CUSTOMER DRAWING				REV: A	RESTRICTED TO: -

Looking for pricing, stock, or lifecycle information?

Click below to explore more details on WIN SOURCE:

 [View 2029177-5](#) on WIN SOURCE

 [TE Connectivity](#) Information

Optimize Your Supply Chain with WIN SOURCE Solutions

-  Global Sourcing Solution
-  Obsolete Management
-  Cost Control Management
-  Shortage Management
-  Alternative Solution
-  Excess Inventory Management