

Thin, Compact Chip LED with High-Luminosity, AlGaInP Yellow-Green Chips

Features

- Size: 1.6 X 0.8 mm
- 0.35 mm thickness/0.55 mm thickness chip LEDs
- AlGaInP yellow-green chips
- Low operating current: 75 % reduction
(Comparison with general-purpose chip type)

Applications

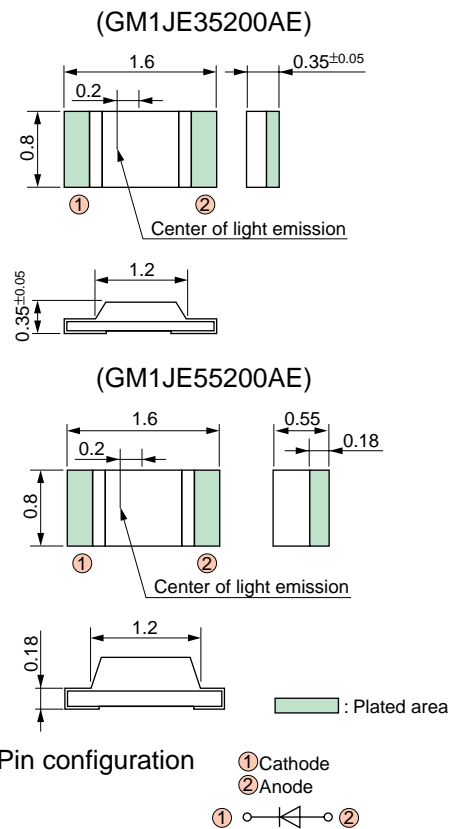
- Cellular phone
- Indicator
- Membrane switch

Specifications

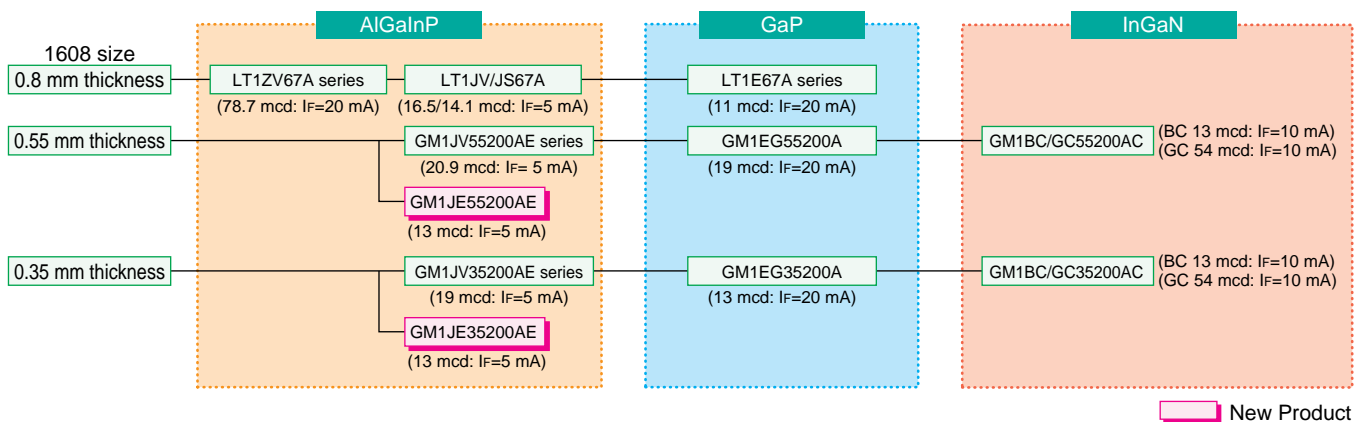
T_a = 25 °C

Parameter	Symbol	GM1JE35200AE	GM1JE55200AE	Condition	Unit
Emitting color	-	Yellow-green	Yellow-green	-	-
Peak wavelength (TYP.)	λ _p	575	575	I _F =5 mA	nm
Luminous intensity (TYP.)	I _v	(13)	(13)		mcd
Forward voltage (TYP.)	V _F	2.0	2.0		V
Operating temperature	T _{opr}	-30 to +85	-30 to +85	-	°C

Outline Dimensions (Unit: mm)



Line-up of Chip LED



Notice:

- In the absence of confirmation by device specification sheets, SHARP takes no responsibility for any defects that may occur in equipment using any SHARP devices shown in catalogs, data books, etc. Contact SHARP in order to obtain the latest device specification sheets before using any SHARP devices.
- Specifications are subject to change without notice for improvement.

Looking for pricing, stock, or lifecycle information?

Click below to explore more details on WIN SOURCE:

 [View GM1JE35200AE on WIN SOURCE](#)

 [Sharp Microelectronics](#) Information

Optimize Your Supply Chain with WIN SOURCE Solutions

-  Global Sourcing Solution
-  Obsolete Management
-  Cost Control Management
-  Shortage Management
-  Alternative Solution
-  Excess Inventory Management