



**THE DATASHEET OF
GKG3R066-07**



CERAMIC DIELECTRIC TRIMMER CAPACITORS



Sprague-Goodman Electronics, Inc.

1700 SHAMES DRIVE, WESTBURY, NY 11590
TEL: 516-334-8700 • FAX: 516-334-8771
E-MAIL: info@spraguegoodman.com

SURFTRIM® SURFACE MOUNT GKRP SERIES

FEATURES

- Sealed for washability
- Low mounting profile.
- Carrier and reel packaging standard.
- NPO temperature coefficient (up to 10 pF max).
- Self resonant frequency above 1 GHz.

SPECIFICATIONS

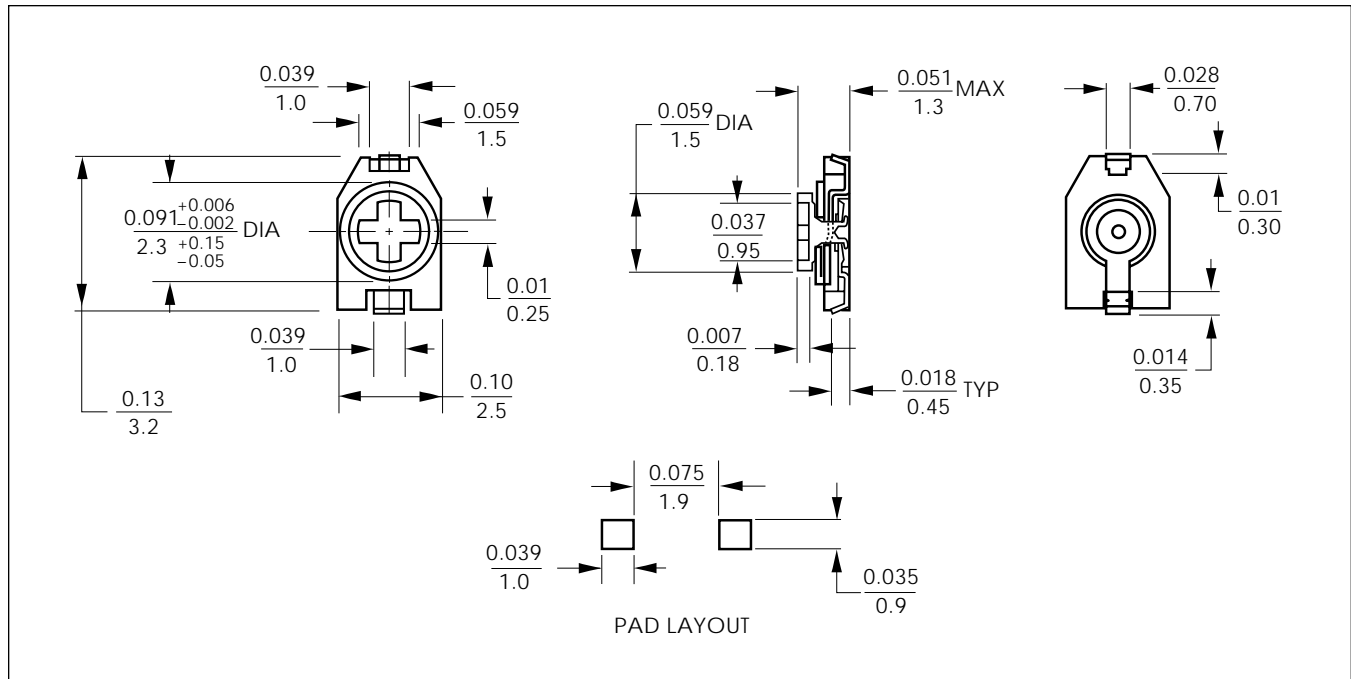
Operating Temperature Range: -40°C to +85°C
 Voltage Rating: 25 VDC
 Dielectric Withstanding Voltage: 75 VDC
 Insulation Resistance: 10⁴ Megohms min
 Torque: 10 to 150 g-cm (0.14 to 2.1 oz-in)

3.2 x 2.5 x 1.3 mm Models



Capacitance (pF)		TCC (ppm / °C)	Q min (1 MHz)	Carrier and Reel Pack Model No.
min	max			
3.0	5.0	0 ± 500	150	GKRP5R066
3.0	10.0	0 ± 500	150	GKRP10066
5.0	20.0	N750 ± 500	150	GKRP20066
7.0	30.0	N750 ± 500	150	GKRP30066

Carrier and reel specifications on page 11.



All dimensions are in / mm. Unless otherwise specified, the tolerance on dimensions is ± 0.004 / 0.1.

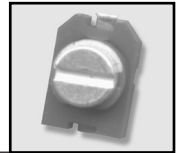
GKYB ECONOMY SERIES

FEATURES

- Suitable for reflow soldering.
- Superior Setting Drift Performance
- Low Mounting Profile (only 1.7 mm)
- Available in carrier and reel packaging.

SPECIFICATIONS

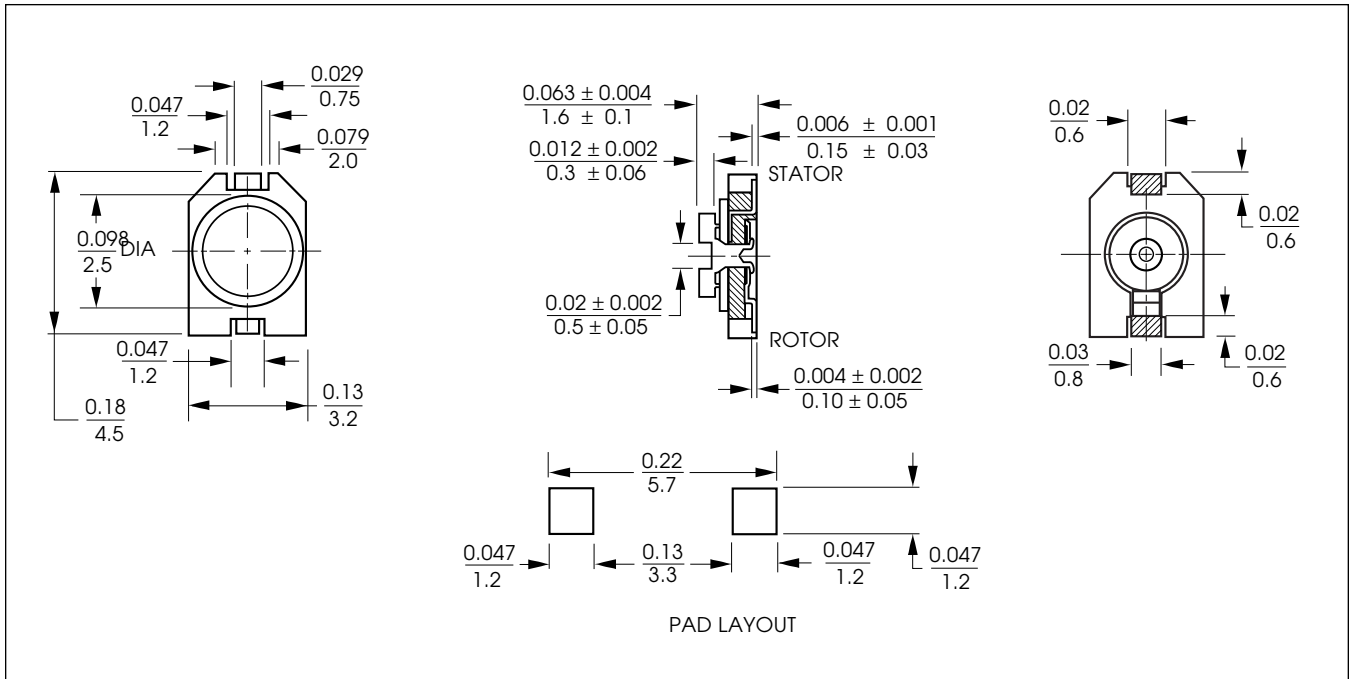
Operating Temperature Range: -25°C to +85°C
 Voltage Rating: 100 VDC
 Dielectric Withstanding Voltage: 220 VDC
 Insulation Resistance: 10⁴ Megohms min
 Torque: 25 to 100 g-cm (0.35 to 1.39 oz-in)



3.2 x 4.5 x 1.7mm Models

Capacitance Range (pF)		TCC (ppm/°C)	Q min (1 MHz)	Color Code or Mark	Model No.
min	max				
1.7	3.0	NPO ± 300	300	Brown	GKYB3R066
2.5	6.0	NPO ± 300	500	Blue	GKYB6R066
3.5	10.0	N750 ± 300	500	White	GKYB10066
5.5	20.0	N1200 ± 500	300	Red	GKYB20066
7.5	30.0	N1200 ± 500	300	Green	GKYB30066

Carrier and reel specifications on page 11.



All dimensions are in /mm. Unless otherwise specified, the tolerance on dimensions is ± 0.04/0.1.

SURFTRIM® SURFACE MOUNT GKY WASHABLE SERIES

FEATURES

- Designed for reflow soldering.
- Carrier and reel packaging.
- Sealed for washability

SPECIFICATIONS

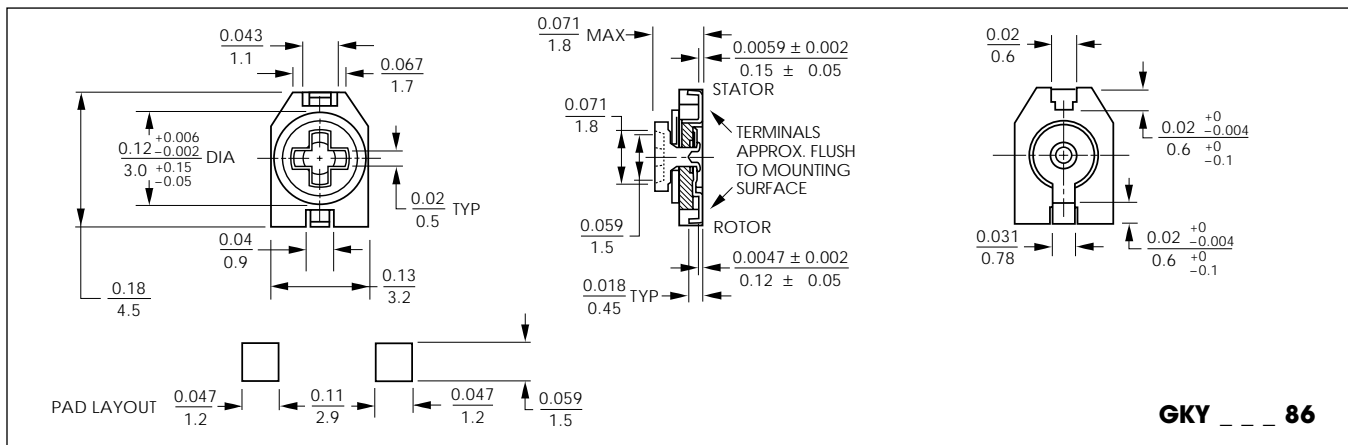
Operating Temperature Range: -40°C to +85°C
 Voltage Rating: 25 VDC
 Dielectric Withstanding Voltage: 75 VDC
 Insulation Resistance: 10⁴ Megohms min
 Torque: 10 to 150 g-cm (0.14 to 2.08 oz-in)

**3.2 x 4.5 x 1.8 mm
Models**



Capacitance (pF)		TCC (ppm / °C)	Q min (1 MHz)	Carrier and Reel Pack Model No.
min	max			
1.0	3.0	0 ± 500	300	GKY3R086
2.5	10.0	0 ± 300	300	GKY10086
4.5	20.0	N750 ± 400	300	GKY20086
4.5	30.0	N750 ± 500	300	GKY30086
4.5	40.0	N750 ± 500	300	GKY40086
4.5	50.0	N750 ± 500	300	GKY50086

Carrier and reel specifications on page 11.



GKY STANDARD SERIES

FEATURES

- Designed for reflow soldering.
- Available in carrier and reel packaging.

SPECIFICATIONS

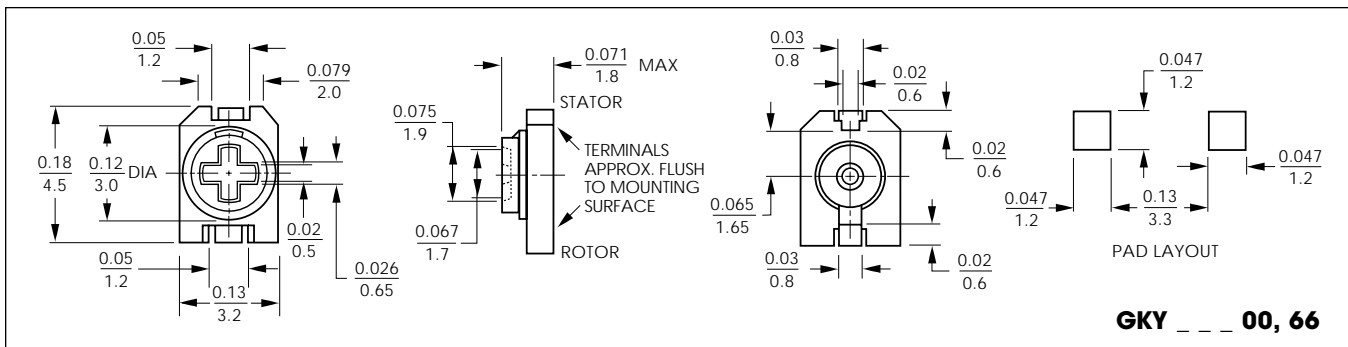
Operating Temperature Range: -25°C to +85°C
 Voltage Rating: 100 VDC
 Dielectric Withstanding Voltage: 220 VDC
 Insulation Resistance: 10⁴ Megohms min
 Torque: 10 to 150 g-cm (0.14 to 2.08 oz-in)

**3.2 x 4.5 x 1.8 mm
Models**



Capacitance (pF)		TCC (ppm / °C)	Q min (1 MHz)	Color Code	Bulk Pack Model No.	Carrier and Reel Pack Model No.
min	max					
1.7	3.0	0 ± 300	500	Brown	GKY3R000	GKY3R066
2.5	6.0	0 ± 300	500	Blue	GKY6R000	GKY6R066
3.0	10.0	N400 ± 400	500	White	GKY10000	GKY10066
5.0	20.0	N900 ± 400	300	Red	GKY20000	GKY20066
6.0	30.0	N1200 ± 500	300	Green	GKY30000	GKY30066

Carrier and reel specifications on page 11.



All dimensions are in / mm. Unless otherwise specified, the tolerance on dimensions is ± 0.004 / 0.1.

SURFTRIM® SURFACE MOUNT

Sealed Construction

FEATURES

- Process seal provides protection against contaminants (flux, solvents, etc.) during production.
- Designed for flow and reflow soldering.
- Available in carrier and reel packaging.

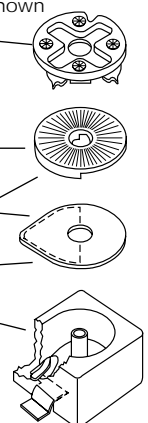
SPECIFICATIONS

Operating Temperature Range: -25°C to +85°C
 Voltage Rating: 100 VDC
 Dielectric Withstanding Voltage: 220 VDC
 Insulation Resistance: 10⁴ Megohms min
 Torque: 15 to 100 g-cm (0.2 to 1.39 oz-in)

CONSTRUCTION DETAILS OF 4 x 4.5 mm GKG MODELS

Model GKG ___ 27 Shown

- Special "drive assembly" with pointed spring fingers to engage rotor upper surface contour. Spring fingers also provide proper tension for smooth torque and low resistance.
- Special rotor with die-formed "drive" contour on upper surface.
- Flat-lapped and lubricated surfaces join for reliable capacitance settings.
- Special ceramic stator insert with metalized electrode.
- Solid one-piece housing with integrally molded terminals and contact areas. Central tubular column is spun-out into a flare after assembly to maintain built-in spring tension.



4 x 4.5 x 2.7 mm Models

Capacitance (pF)		TCC (ppm/°C)	Q min (1 MHz)	Color Code	Bulk Pack Model No.	Carrier and Reel Pack Model No.	Bulk Pack Model No.	Carrier and Reel Pack Model No.	Bulk Pack Model No.	Carrier and Reel Pack Model No.
*min	max									
1.4	3.0	0 ± 200	300**	†Red Dot	GKG3R026	GKG3R066	GKG3R027	GKG3R067	GKG3R028	GKG3R068
2.0	6.0	0 ± 200	500**	Blue	GKG6R026	GKG6R066	GKG6R027	GKG6R067	GKG6R028	GKG6R068
3.0	10.0	0 ± 300	500**	White	GKG10026	GKG10066	GKG10027	GKG10067	GKG10028	GKG10068
4.5	20.0	N900 ± 300	500**	Red	GKG20026	GKG20066	GKG20027	GKG20067	GKG20028	GKG20068
6.5	30.0	N1100 ± 450	300	Green	GKG30026	GKG30066	GKG30027	GKG30067	GKG30028	GKG30068
15.0	50.0	N1700 ± 500	300	Orange	GKG50H26	GKG50H66	GKG50H27	GKG50H67	GKG50H28	GKG50H68

† Marking on bottom of capacitor.

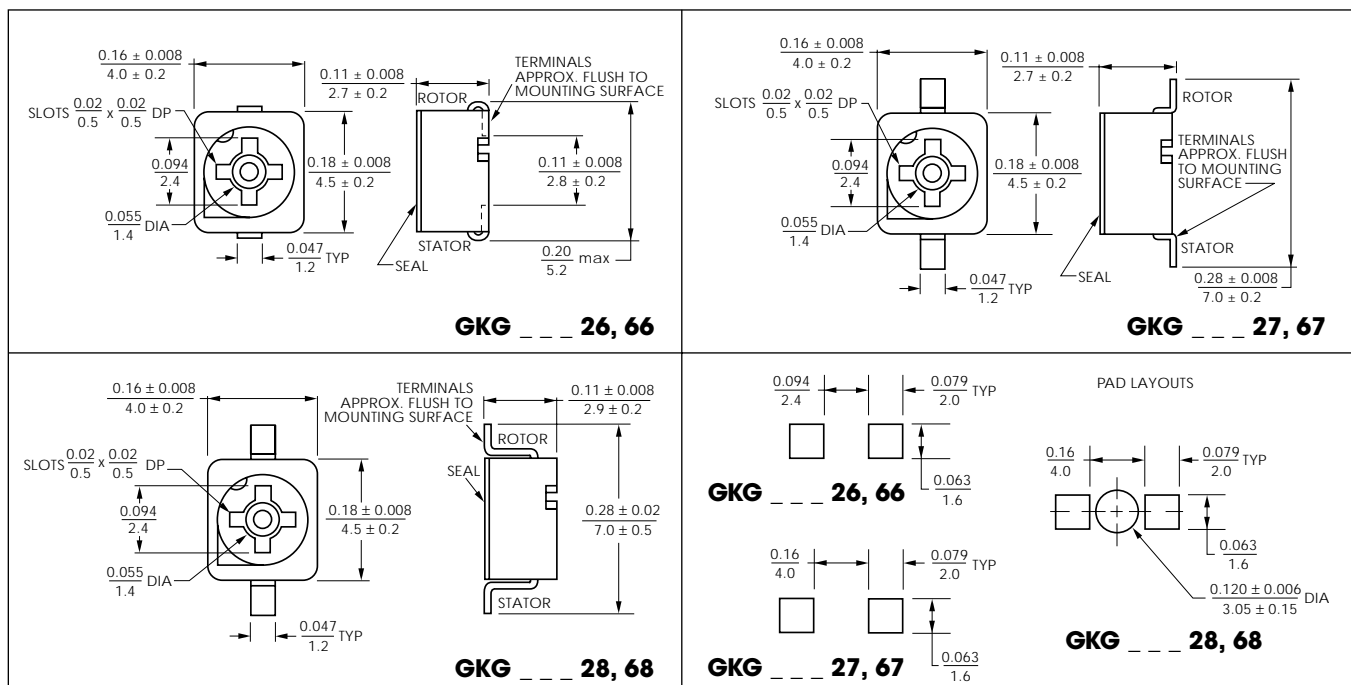
* Re-rated in 1994 for lower min capacitance.

** Q at 10 MHz

Available without seal — consult factory.

Carrier and reel specifications on page 11.

Add -07 to Model No. for 700/reel, -25 for 2500/reel.



All dimensions are in /mm. Unless otherwise specified, the tolerance on dimensions is ± 0.004 / 0.1.

PLASTIC ENCASED TYPE

Available With or Without Adjust Cavity Seal

FEATURES

- Very low cost due to automated production and solderless touch contact construction.
- Wide selection of capacitance ranges.
- Color coded housings.
- Easy blind tuning (2 slots at 90° angle in adjust cavity — accepts cross-slotted tool).
- Process seal on adjust screw access face (optional) provides protection against contaminants (flux, cleaning agents, etc.) during production.

SPECIFICATIONS

Operating Temperature Range: -25°C to +85°C
 Voltage Rating: 100 VDC
 Dielectric Withstanding Voltage: 220 VDC
 Insulation Resistance: 10⁴ Megohms min
 Torque: 10 to 100 g-cm (0.14 to 1.39 oz-in)

4 x 4.5 mm Models

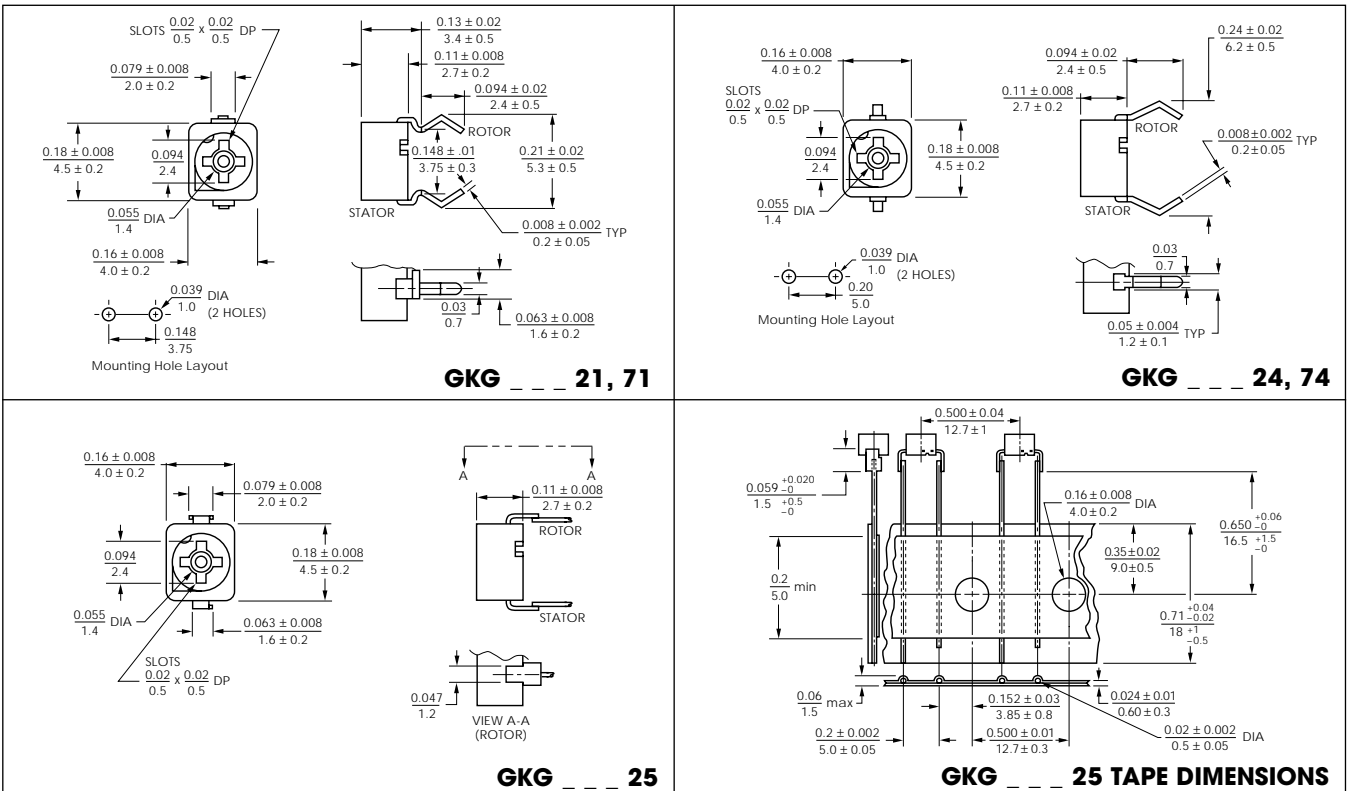
Capacitance (pF)		TCC (ppm/°C)	Q min		Color Code	Top Mount ³ Spring Lead Model No.		Top Mount ³ Spring Lead Model No.		Top Mount ⁴ Ammo Pack Model No.
¹ min	max		1 MHz	10 MHz		Unsealed	Sealed	Unsealed	Sealed	Unsealed
1.4	3.0	0 ± 200	300	300	² Red Dot	GKG3R021	GKG3R071	GKG3R024	GKG3R074	GKG3R025
2.0	6.0	0 ± 200	500	300	Blue	GKG6R021	GKG6R071	GKG6R024	GKG6R074	GKG6R025
3.0	10.0	0 ± 300	500	300	White	GKG10021	GKG10071	GKG10024	GKG10074	GKG10025
4.5	20.0	N900 ± 350	500	300	Red	GKG20021	GKG20071	GKG20024	GKG20074	GKG20025
6.5	30.0	N1100 ± 450	300	300	Green	GKG30021	GKG30071	GKG30024	GKG30074	GKG30025
15.0	50.0	N1700 ± 500	300	N.A.	Orange	GKG50021	GKG50071	GKG50024	GKG50074	GKG50025

¹Re-rated in 1993.

²Marking on bottom of capacitor.

³Magazine pack (120 pieces) for auto insertion available — consult factory for pricing.

⁴Ammo pack contains 1000 pcs.



All dimensions are in / mm. Unless otherwise specified, the tolerance on dimensions is ± 0.004 / 0.1.

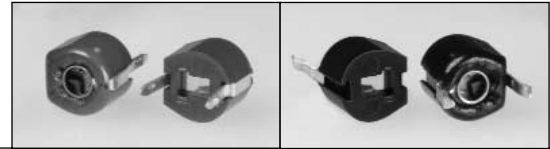
PLASTIC ENCASED TYPE GKG SERIES

FEATURES

- Very low cost.
- Wide selection of capacitance ranges.
- Suitable for printed circuit production methods using "spring leads" or "straight leads".

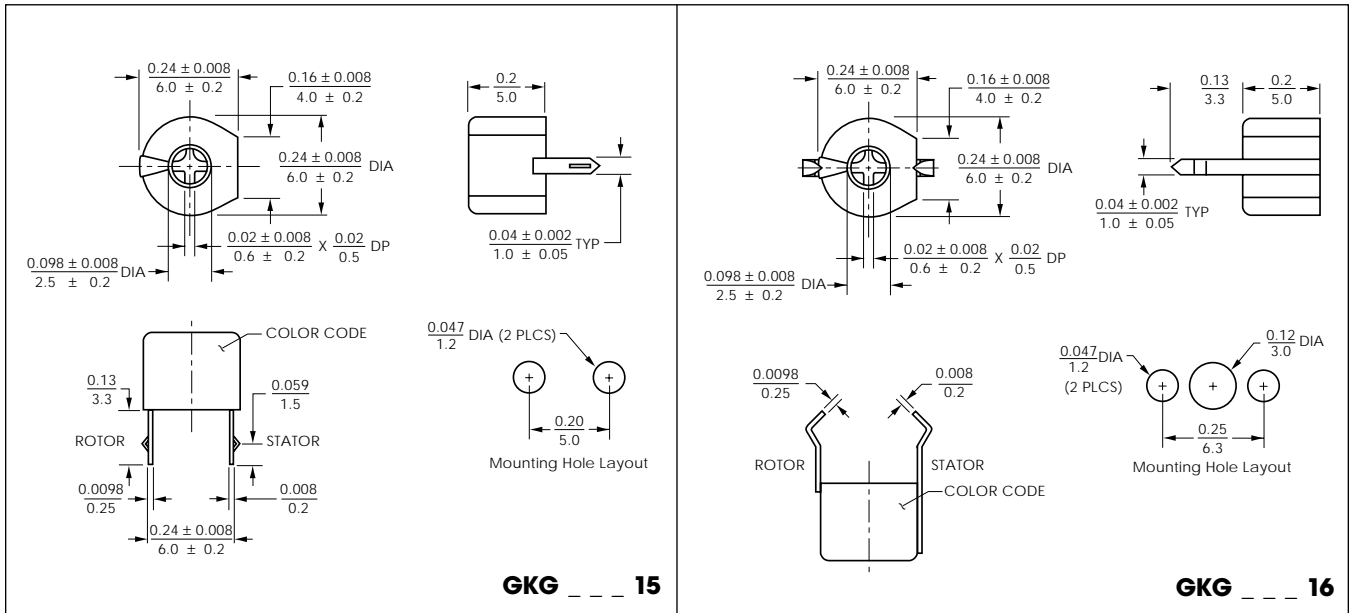
SPECIFICATIONS

Operating Temperature Range: -25°C to +85°C
 Voltage Rating: 100 VDC
 Dielectric Withstanding Voltage: 220 VDC
 Insulation Resistance: 10⁴ Megohms min
 Torque: 15 to 150 g-cm (0.21 to 2.1 oz-in)



6 mm Economy Models

Capacitance (pF)		TCC (ppm/°C)	Q min (1 MHz)	Color Code	Top Adjust Model No.	Bottom Adjust Model No.
min	max					
1.0	3.0	NPO ± 250	300	Black	GKG3R015	GKG3R016
2.0	5.0	NPO ± 250	300	Blue	GKG5R015	GKG5R016
3.0	10.0	NPO ± 250	300	White	GKG10015	GKG10016
5.0	20.0	N750 ± 250	300	Red	GKG20015	GKG20016
6.5	30.0	N1000 ± 500	200	Green	GKG30015	GKG30016
7.0	40.0	N2200 ± 800	200	Yellow	GKG40015	GKG40016
10.0	50.0	N2200 ± 800	200	Brown	GKG50015	GKG50016
12.0	60.0	N2200 ± 800	200	Brown	GKG60015	GKG60016
15.0	70.0	N2200 ± 800	200	Brown	GKG70015	GKG70016
18.0	90.0	N2200 ± 800	150	Brown	GKG90015	GKG90016

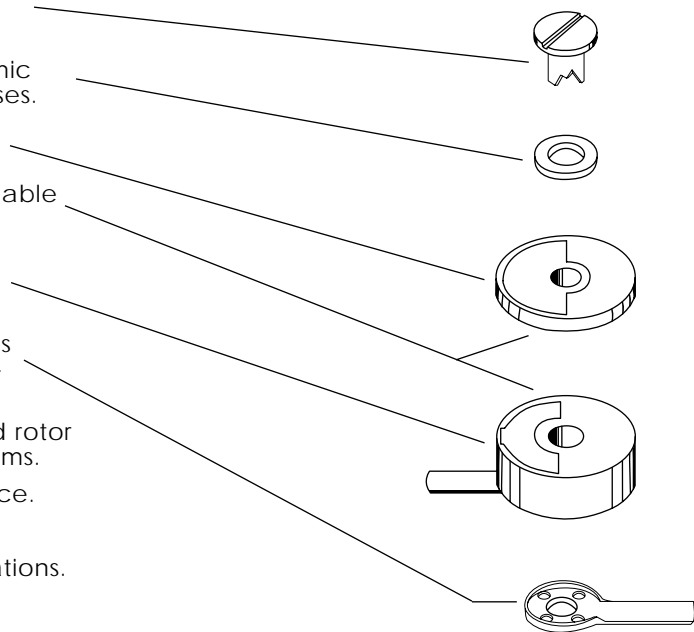


All dimensions are in / mm.
 Unless otherwise specified, the tolerance on dimensions is ± 0.004 / 0.1; except slot tolerance is ± 0.008 / 0.2.

RUGGED 5 mm GKU SERIES

FEATURES

- Proven rugged axle design prevents electrode shifting, maximizes stability.
- Plastic washer between adjust shaft and ceramic rotor to absorb tuning and environmental stresses.
- Special ceramic dielectric rotor with metalized electrode.
- Flat-lapped and lubricated surfaces join for reliable capacity settings.
- Solid one-piece stator electrode and terminal, recessed and integral with base. Cannot shift. Improves stability and resistance to humidity.
- Combination spring/contact/terminal maintains proper tension for smooth torque and low resistance.
- Soldered connection between adjust shaft and rotor electrode eliminates contact resistance problems.
- Compact form factor conserves mounting space.
- Straight line capacitance curve.
- Low cost for industrial and commercial applications.



SPECIFICATIONS

Operating Temperature Range: -55°C to +125°C

Voltage Rating: 250 VDC at 85°C
125 VDC at 125°C

Dielectric

Withstanding Voltage: 500 VDC at 85°C
250 VDC at 125°C

Insulation Resistance: 10⁴ Megohms min

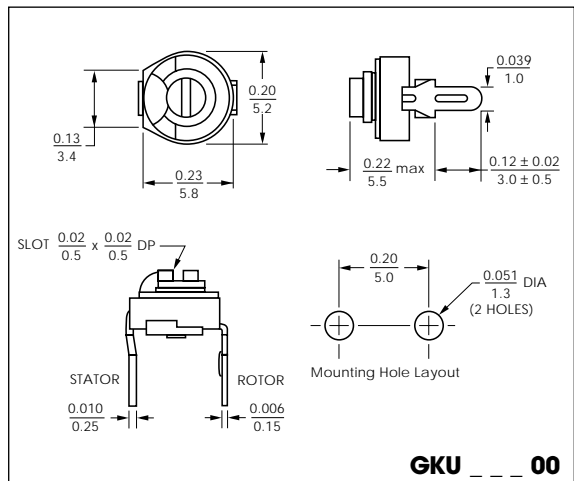
Torque: 30 to 140 g-cm (0.42 to 1.94 oz-in)

5 mm Rugged Models

Capacitance Range (pF)		TCC (ppm/°C)	Q min (10 MHz)	Color Code or Mark	Model No.
min	max				
1.5	† 5.5	0 ± 250	300	Black	GKU4R000
2.0	† 8.0	N100 ± 200	300	Red	GKU6R000
2.8	† 12.0	N600 ± 300	300	None	GKU10000
3.3	†† 20.5	N800 ± 300	300	Blue	GKU18000
3.8	† 28.5	N1350 ± 650	200	Purple	GKU25000
4.5	30.0	N1350 ± 650	200	Orange	GKU30000
5.0	40.0	N1600 ± 800	200	Brown	GKU40000
6.0	50.0	N1300 ± 500	150 (1MHz)	Green	GKU50000
7.0	60.0	N1300 ± 500	150 (1MHz)	Pink	GKU60000
15.0	90.0	N1500 ± 800	100 (1MHz)	None	GKU90000

† Re-rated in 1992 †† Re-rated in 1986

All dimensions are in / mm. Unless otherwise specified, the tolerance on dimensions is ± 0.004 / 0.1.



ECONOMY 5 mm GKU SERIES

FEATURES

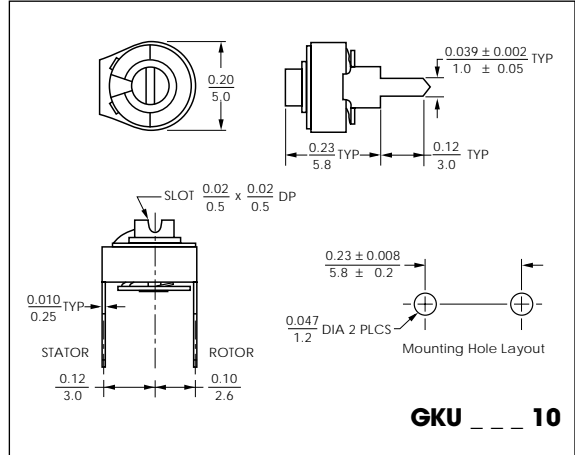
- Economical for consumer and industrial applications.
- Rotor soldered to tuning axle for stability.
- For lead-through-hole connection to printed circuit boards.

SPECIFICATIONS

Operating Temperature Range: -25°C to +85°C
 Voltage Rating: 250 VDC
 Dielectric Withstanding Voltages: 500 VDC
 Insulation Resistance: 10⁴ Megohms min
 Torque: 35 to 200 g-cm (0.49 to 2.8 oz-in)

5 mm Economy Models

Capacitance Range (pF)		TCC (ppm/°C)	Q min (1 MHz)	Model No.
min	max			
1.0	3.0	0 ± 250	300	GKU3R010
2.0	6.0	0 ± 250	300	GKU6R010
3.0	10.0	N750 ± 250	300	GKU10010
4.8	20.0	N750 ± 250	300	GKU20010
5.5	30.0	N1000 ± 250	200	GKU30010
6.8	40.0	N2200 ± 800	200	GKU40010
9.8	50.0	N2200 ± 800	200	GKU50010
12.0	60.0	N2200 ± 800	200	GKU60010
14.0	70.0	N2200 ± 800	200	GKU70010



ECONOMY 7 mm GKT SERIES

FEATURES

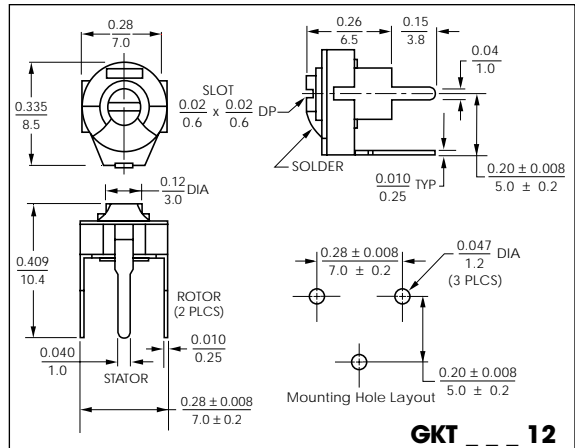
- Economical for consumer and industrial applications.
- Rotor soldered to tuning axle for stability.
- For lead-through-hole connection to printed circuit boards.
- Three hole mounting pattern.

SPECIFICATIONS

Operating Temperature Range: -25°C to +85°C
 Voltage Rating: 250 VDC
 Dielectric Withstanding Voltages: 500 VDC
 Insulation Resistance: 10⁴ Megohms min
 Torque: 32 to 200 g-cm (0.45 to 2.8 oz-in)

7 mm Economy Models

Capacitance Range (pF)		TCC (ppm/°C)	Q min (1 MHz)	Model No.
min	max			
2.0	5.0	0 ± 200	300	GKT5R012
2.5	10.0	0 ± 200	300	GKT10012
3.0	20.0	N470 ± 200	300	GKT20012
4.5	30.0	N550 ± 800	300	GKT30012
6.0	50.0	N1400 ± 800	200	GKT50012
8.5	63.0	N2200 ± 250	200	GKT60012
10.5	81.0	N2200 ± 250	200	GKT80012
12.0	90.0	N2200 ± 250	200	GKT90012



All dimensions are in / mm. Unless otherwise specified, the tolerance on dimensions is ± 0.004 / 0.1.

THIN 2 mm & 3 mm TYPES

FEATURES

- Very small size — for hybrid circuit applications.
- Straight line capacitance curve.
- Choice of mounting styles.

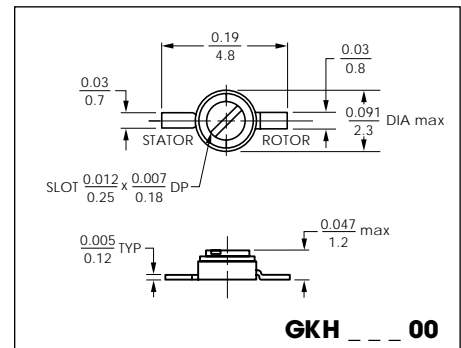
SPECIFICATIONS

Operating Temperature Range: -25°C to $+85^{\circ}\text{C}$
 Voltage Rating: 25 VDC
 Dielectric Withstanding Voltages: 75 VDC
 Insulation Resistance: 10^4 Megohms min
 Torque: 10 to 75 g-cm (0.14 to 1.0 oz-in)
 Terminal Plating: Silver

MINIATURE SERIES 2.0 x 1.2 mm Models

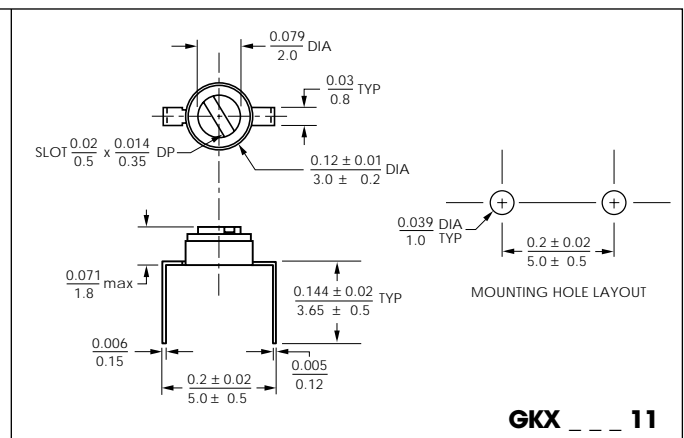
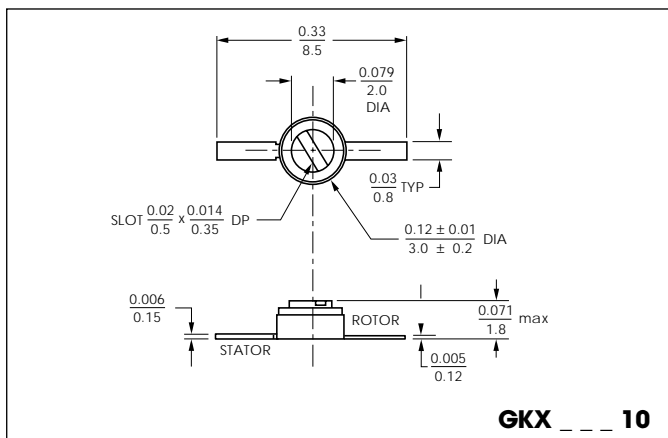
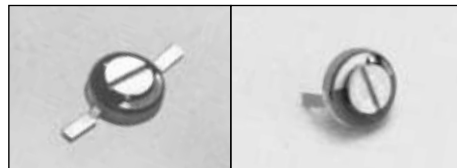
Capacitance (pF)		TCC (ppm / °C)	Q min (1 MHz)	Model No.
min*	max			
5.0	25.0	$N1200 \pm 800$	100	GKH25000

*Re-rated in 1996



3.0 x 1.8 mm Models

Capacitance (pF)		TCC (ppm / °C)	Q min (1 MHz)	Model No.	Model No.
min	max				
1.0	3.0	0 ± 300	200	GKX3R010	GKX3R011
1.5	5.0	0 ± 300	200	GKX5R010	GKX5R011
2.5	10.0	0 ± 300	200	GKX10010	GKX10011
5.0	20.0	$N750 \pm 500$	200	GKX20010	GKX20011
5.0	30.0	$N750 \pm 500$	200	GKX30010	GKX30011
5.0	35.0	$N750 \pm 500$	200	GKX35010	GKX35011
6.0	40.0	$N750 \pm 500$	200	GKX40010	GKX40011



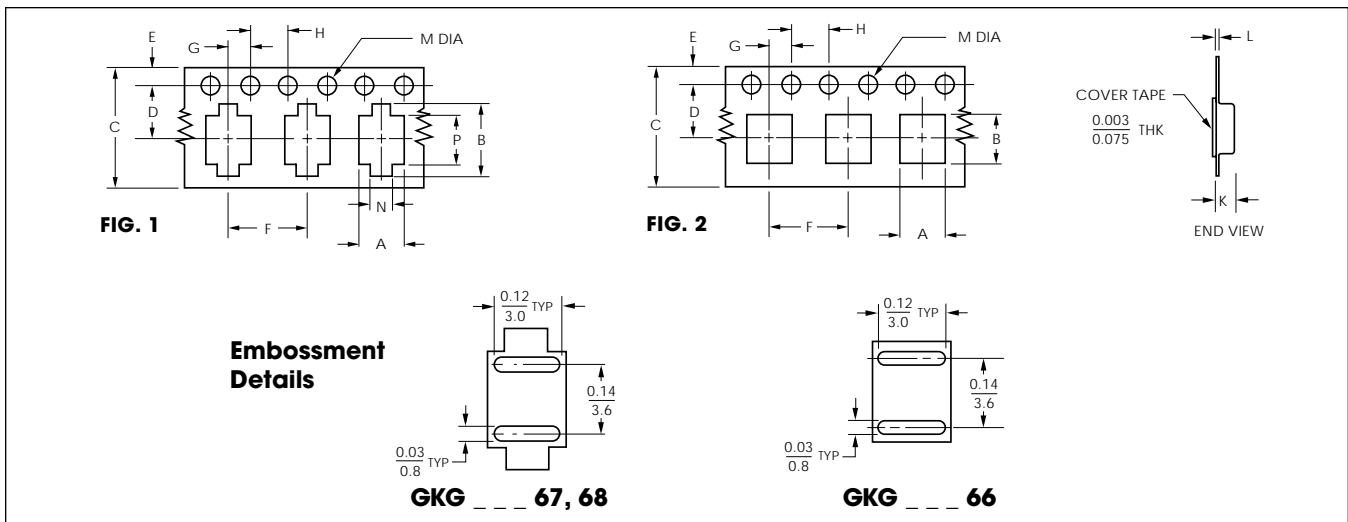
All dimensions are in / mm. Unless otherwise specified, the tolerance on dimensions is $\pm 0.004 / 0.1$.

CARRIER AND REEL SPECIFICATIONS

CARRIER

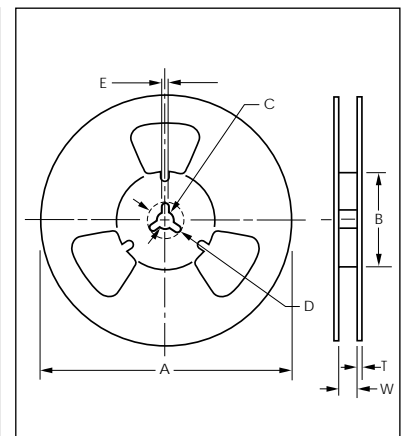
Product Line	Dimension Tolerance	A	B	C	D	E	F	G	H	K	L	M	N	P
		$\pm \frac{0.004}{0.1}$	$\pm \frac{0.004}{0.1}$	$\pm \frac{0.01}{0.3}$	$\pm \frac{0.004}{0.1}$	$\pm \frac{0.004}{0.1}$	$\pm \frac{0.004}{0.1}$	$\pm \frac{0.004}{0.1}$	$\pm \frac{0.004}{0.1}$	$\pm \frac{0.004}{0.1}$	$\pm \frac{0.008}{0.2}$	$\pm \frac{0.002}{0.05}$	$\pm \frac{0.004}{-0.1}$	$\pm \frac{0.004}{0.1}$
GKG_ _ _ 66	Fig. 2	$\frac{0.18}{4.5}$	$\frac{0.21}{5.4}$	$\frac{0.47}{12}$	$\frac{0.22}{5.5}$	$\frac{0.069}{1.75}$	$\frac{0.31}{8.0}$	$\frac{0.08}{2.0}$	$\frac{0.2}{4}$	$\frac{0.13}{3.2}$	$\frac{0.01}{0.3}$	$\frac{0.059}{1.5}$	—	—
GKG_ _ _ 67, 68	Fig. 1	$\frac{0.18}{4.5}$	$\frac{0.30}{7.5}$	$\frac{0.47}{12}$	$\frac{0.22}{5.5}$	$\frac{0.069}{1.75}$	$\frac{0.31}{8.0}$	$\frac{0.08}{2.0}$	$\frac{0.2}{4}$	$\frac{0.13}{3.2}$	$\frac{0.01}{0.3}$	$\frac{0.059}{1.5}$	$\frac{0.08}{2.0}$	$\frac{0.2}{5}$
GGRP_ _ _ 66	Fig. 2	$\frac{0.11}{2.7}$	$\frac{0.13}{3.2}$	$\frac{0.47}{12}$	$\frac{0.22}{5.5}$	$\frac{0.069}{1.75}$	$\frac{0.16}{4.0}$	$\frac{0.08}{2.0}$	$\frac{0.2}{4}$	$\frac{0.075}{1.9}$	$\frac{0.01}{0.3}$	$\frac{0.059}{1.5}$	—	—
GKY_ _ _ 66, GKYA	Fig. 2	$\frac{0.14}{3.6}$	$\frac{0.19}{4.9}$	$\frac{0.47}{12}$	$\frac{0.22}{5.5}$	$\frac{0.069}{1.75}$	$\frac{0.31}{8.0}$	$\frac{0.08}{2.0}$	$\frac{0.2}{4}$	$\frac{0.091}{2.3}$	$\frac{0.01}{0.3}$	$\frac{0.059}{1.5}$	—	—
GKY_ _ _ 86	Fig. 2	$\frac{0.132}{3.35}$	$\frac{0.185}{4.70}$	$\frac{0.47}{12}$	$\frac{0.22}{5.5}$	$\frac{0.069}{1.75}$	$\frac{0.31}{8.0}$	$\frac{0.08}{2.0}$	$\frac{0.2}{4}$	$\frac{0.091}{2.4}$	$\frac{0.01}{0.3}$	$\frac{0.059}{1.5}$	—	—

All dimensions are in / mm. Unless otherwise specified, the tolerance on dimensions is $\pm 0.004 / 0.1$.
 GKG and GKY_ _ _ 66 series capacitors are positioned in compartments (blisters) with the stator terminal closer to the "M" holes. To get the parts with the rotor terminal closer to the "M" holes, add an "A" suffix to the model number.
 GGRP and GKY_ _ _ 86 series capacitors are positioned in compartments (blisters) with the rotor terminal closer to the "M" holes. To get the parts with the stator terminal closer to the "M" holes, add an "A" suffix to the model number.



REEL

Product Line	Dimension Tolerance	Quantity Per Reel	A	B	C	D	E	T	W
			$\pm \frac{0.1}{3}$	$\pm \frac{0.1}{3}$	$\pm \frac{0.04}{1}$	$\pm \frac{0.08}{2}$	$\pm \frac{0.04}{1}$	$\pm \frac{0.02}{0.5}$	$\pm \frac{0.08}{2}$
GKG_ _ _ 66-07, 67-07, 68-07		700	$\frac{7.09}{180}$	$\frac{2.4}{60}$	$\frac{0.51}{13}$	$\frac{0.91}{23}$	$\frac{0.08}{2}$	$\frac{0.043}{1.1}$	$\frac{0.531}{13.5}$
GKG_ _ _ 66-25, 67-25, 68-25		2500	$\frac{13.0}{330}$	$\frac{3.1}{80}$	$\frac{0.51}{13}$	$\frac{0.91}{23}$	$\frac{0.098}{2.5}$	$\frac{0.079}{2.0}$	$\frac{0.531}{13.5}$
GGRP_ _ _ 66		2000	$\frac{7.09}{180}$	$\frac{2.4}{60}$	$\frac{0.51}{13}$	$\frac{0.83}{21}$	$\frac{0.08}{2}$	$\frac{0.047}{1.2}$	$\frac{0.512}{13.0}$
GKY_ _ _ 66, GKYA		1000	$\frac{7.09}{180}$	$\frac{2.4}{60}$	$\frac{0.51}{13}$	$\frac{0.91}{23}$	$\frac{0.08}{2}$	$\frac{0.043}{1.1}$	$\frac{0.531}{13.5}$
GKY_ _ _ 86		1000	$\frac{7.09}{180}$	$\frac{2.4}{60}$	$\frac{0.51}{13}$	$\frac{0.83}{21}$	$\frac{0.08}{2}$	$\frac{0.047}{1.2}$	$\frac{0.512}{13.0}$



All dimensions are in / mm. Unless otherwise specified, the tolerance on dimensions is $\pm 0.004 / 0.1$.



SPECIFICATION NOTES

1. Parts are 100% tested for capacitance range, dielectric withstanding voltage, insulation resistance, and torque.
2. Capacitance range specified is that which is guaranteed, and is measured at 1 MHz and 25°C.
3. For soldering SURFTRIM® surface mounting models, pre-heat at 140°C ±10°C for 2 minutes maximum, and reflow solder at 240°C ±5°C for 20 seconds maximum.
4. For soldering printed circuit board mounting models, solder at 260°C ±10°C for 5 seconds maximum, except 3 seconds maximum for Miniature Models (page 10).
5. Q factor is measured at maximum rated capacitance and at room temperature. Frequency of measurement is as listed for each model.
6. Dielectric strength is measured at maximum rated capacitance and room temperature, with test voltage as listed for each model applied for 5 seconds.
7. Insulation resistance is measured at maximum rated capacitance and room temperature and at rated voltage, unless otherwise specified.
8. Temperature coefficient of capacitance (TCC) is measured at 100 kHz or 1 MHz, over a temperature range of -20°C to +70°C with capacitor set at maximum rated capacitance.
9. Axial load during tuning should not exceed 250 grams.
10. Capacitors should not be operated outside of rated capacitance range and working voltage.
11. Angular orientation of adjusting slot is random.

APPLICATION NOTES

Soldering and Cleaning of Ceramic Trimmer Capacitors

Soldering temperatures and times are specified in Notes 3 and 4 above. If using an iron for manual soldering (for prototyping or repairs, for example) use an appropriate size and temperature so that the high temperature exposure of the trimmer is less than 3 seconds.

We strongly recommend the use of water soluble fluxes for soldering, followed by cleaning in water containing detergents, and then a clear water rinse.

Some operations still use Freon or similar fluorinated or chlorinated hydrocarbon solvents. These solvents have a tendency to remove the lubricant, which in turn makes for bumpy adjustment, and will degrade the tuning torque, adjustment life, and other mechanical specifications.

In general, the minimum exposure to cleaning solutions is recommended. The gentlest would be the detergent and water rinses at fairly low temperatures. When chlorinated or fluorinated hydrocarbons are used, the boards should never be plunged into the solvent solution, but rather maintained in the vapor area of the defluxing equipment, and for the minimum possible time. Most desirable would be to clean only the bottom of the printed circuit board, as with board scrubbers.

The unsealed GKG models are usually specified for consumer applications where cleaning after soldering is normally not required. Should cleaning be required, the method to use would be to clean the bottom of the board, as with board scrubbers. If a solvent is used when cleaning the GKG series, sealed versions should be specified to prevent the solvent from being trapped in the housing and degrading performance.

Other precautions for using ceramic trimmer capacitors include:

- Beware of excessive handling with bare hands as, "finger oil" and dirt can bring down Q and insulation resistance values.
- Terminals should not be cut or reformed, as this could cause deformation of the spring or breaking of the rotor.

Sprague-Goodman Electronics, Inc.

1700 SHAMES DRIVE, WESTBURY, NY 11590
TEL: 516-334-8700 • FAX: 516-334-8771
E-MAIL: info@spraguegoodman.com
WEBSITE: <http://www.spraguegoodman.com>

Looking for pricing, stock, or lifecycle information?

Click below to explore more details on WIN SOURCE:

- ⊖ [View GKG3R066-07 on WIN SOURCE](#)
- ⊖ [Sprague-Goodman Information](#)

Optimize Your Supply Chain with WIN SOURCE Solutions

- ✓ Global Sourcing Solution
- ✓ Obsolete Management
- ✓ Cost Control Management
- ✓ Shortage Management
- ✓ Alternative Solution
- ✓ Excess Inventory Management