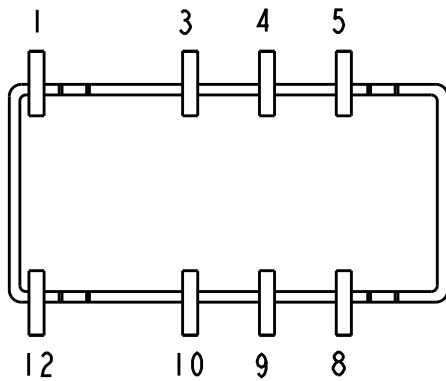




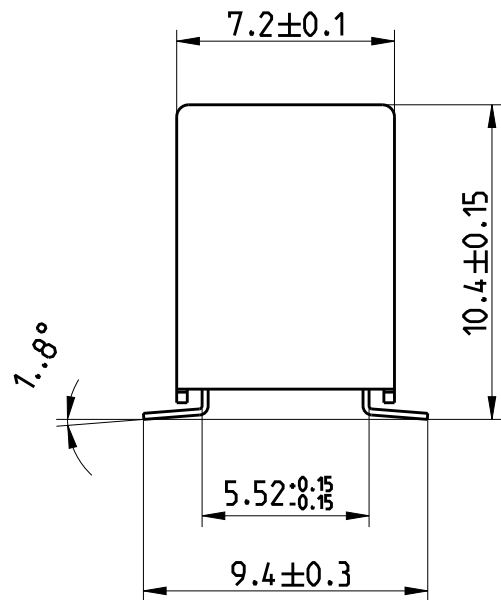
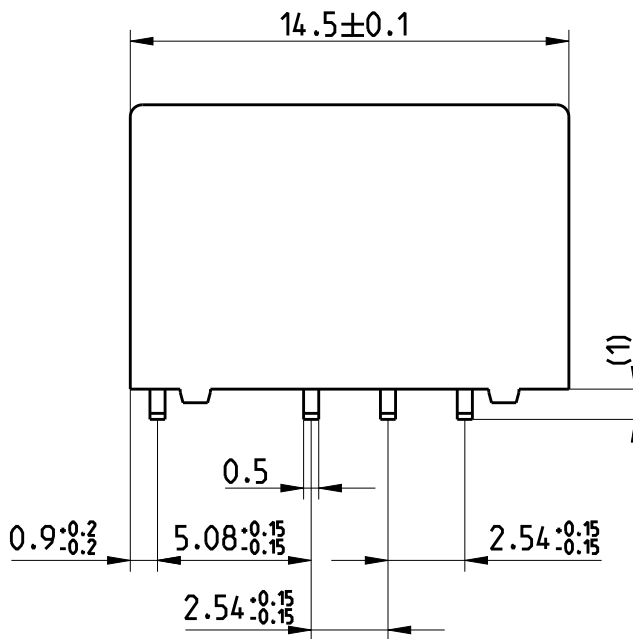
**THE DATASHEET OF
V23079D2008B301**



LOC	DIST	REVISIONS					
HJ	-	P	LTR	DESCRIPTION	DATE	DWN	APVD
		C3		ECR-16-015097	25-Oct-16	JK	PH



Relay - bottom view



xxxxx = Relay type
YYWWD = Date code

DRAWING ALIAS C23303-A079-A004

2006

RELEASED FOR PUBLICATION

ALL RIGHTS RESERVED.

THIS DRAWING IS UNPUBLISHED.

© COPYRIGHT 2006

DIMENSIONS: mm	DWN Jan Kadlec 25-Oct-16	MATERIAL	FINISH
TOLERANCES UNLESS OTHERWISE SPECIFIED: DIN 7168-m	CHK Robert Kaspar 25-Oct-16	TE Connectivity	
0 PLC ±-	APVD Petr Hofman 25-Oct-16		
1 PLC ±	PRODUCT SPEC	NAME P2-Relay SMT W Dimensions	
2 PLC ±	APPLICATION SPEC	SIZE	RESTRICTED TO
3 PLC ±	WEIGHT	A4	-
4 PLC ±	CUSTOMER DRAWING	CAGE CODE	SCALE
ANGLES ±-		C-1393788-4	4:1
		DRAWING NO	SHEET
			OF
			REV
			C3

Looking for pricing, stock, or lifecycle information?

Click below to explore more details on WIN SOURCE:

 [View V23079D2008B301](#) on WIN SOURCE

 [TE Connectivity](#) Information

Optimize Your Supply Chain with WIN SOURCE Solutions

-  Global Sourcing Solution
-  Obsolete Management
-  Cost Control Management
-  Shortage Management
-  Alternative Solution
-  Excess Inventory Management