



**THE DATASHEET OF
SI-52008-F**



THE INFORMATION CONTAINED HEREIN IS CONSIDERED "PROPRIETARY" TO BEL FUSE INC. AND SHALL NOT BE COPIED, REPRODUCED OR DISCLOSED WITHOUT THE WRITTEN APPROVAL OF BEL FUSE INC.

ELECTRICAL CHARACTERISTICS @ 25°C

1.0 TURNS RATIO:
(P1-P3): (J1-J2)
(P4-P5): (J3-J6)

1CT : 1CT ±2%
1CT : 1CT ±2%

2.0 DC RESISTANCE:
(P1-P3): (P4-P5)
(J1-J2): (J3-J6)

1.4 OHMS
1.2 OHMS

3.0 INDUCTANCE:
(P1-P3)
(P4-P5)

350uH MIN. @ 0.1V, 100KHz, 8mA DC BIAS
350uH MIN. @ 0.1V, 100KHz, 8mA DC BIAS

4.0 LEAKAGE INDUCTANCE:
(P4-P5) WITH J6 AND J3 SHORT
(P1-P3) WITH J2 AND J1 SHORT

0.3uH MAX. @ 1MHz
0.3uH MAX. @ 1MHz

5.0 INTERWINDING CAPACITANCE:
(P4,P5) TO (J3,J6)
(P1,P2,P3) TO (J1,J2)

60pF TYP @ 1MHz
60pF TYP @ 1MHz

6.0 RETURN LOSS: (P1-P3)=100 OHMS REF. AND (P4-P5)=100 OHM REF.
1MHz TO 30MHz
30MHz TO 60MHz
60MHz TO 80MHz

-18dB MIN.
-(19-20LOG(f/30MHz))
12dB MIN.

7.0 DIELECTRIC WITHSTAND:

(J3,J6) TO (P4,P5)
(J1,J2) TO (P1,P3)

1500Vrms
1500Vrms

8.0 INSERTION LOSS: RS=RL=100 OHMS
1MHz-65MHz

-1dB MAX

9.0 RISE TIME: RS=RL=100 OHMS
OUTPUT VOLTAGE = 1V PEAK
PULSE WIDTH = 112ns

3.0ns MAX
3.0ns MAX

10.0 CROSS TALK: 1MHz-65MHz

-35dB MIN.

11.0 CM TO CM ATTENUATION: 30MHz TO 100MHz
100MHz TO 130MHz

-30dB MIN.
-20dB MIN.

12.0 BALANCED DC LINE CURRENT:

350mA MAX @ 57 VDC CONTINUOUS
500mA MAX @ 57 VDC FOR 200 MILLISECONDS

PINS



NOTES

1.0 DESIGNED TO SUPPORT

ORIGINATED BY Zeng Xiaochun	DATE 2012-04-18	TITLE MagJack® 10/100BT, PoE TAB UP, SHIELDED PATENTED	PART NO. / DRAWING NO. SI-52008-F	STANDARD DIM. TOL. IN INCH
DRAWN BY Duan Jun	DATE 2012-04-18		FILE NAME SI-52008-F.DWG	X .XX .XXX
				±0.00

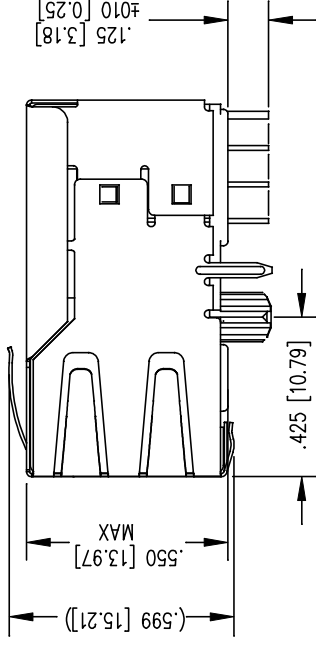
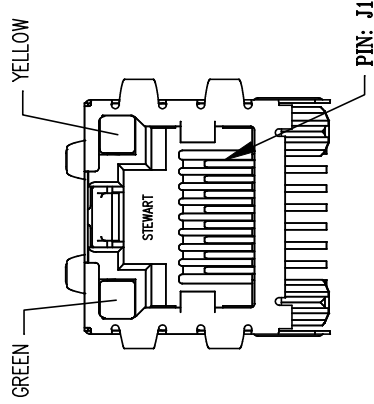
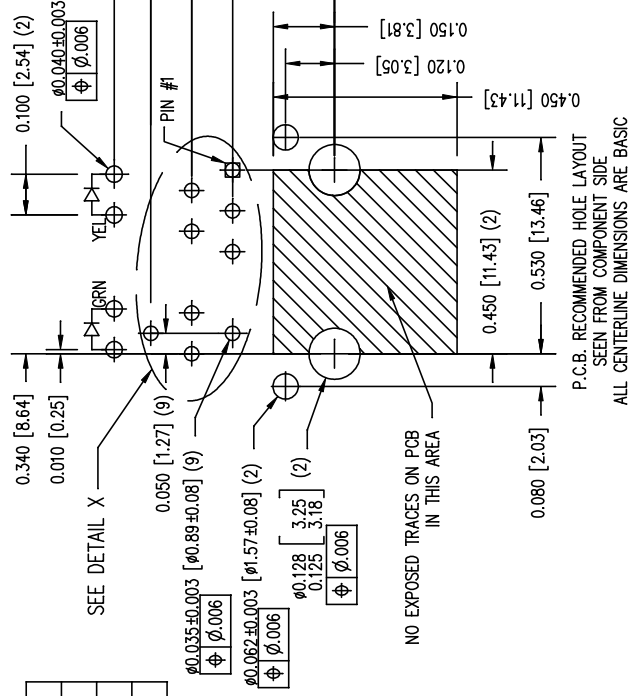
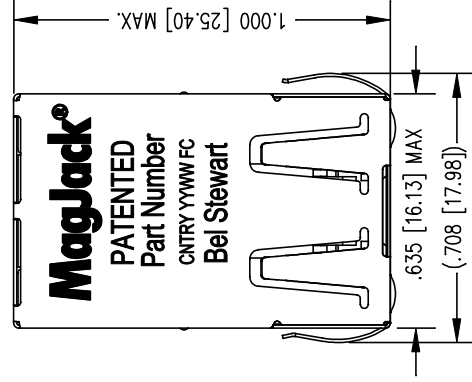
FM999185 REV C0

This document is electronically generated. This is a controlled copy if used internally

THE INFORMATION CONTAINED HEREIN IS CONSIDERED "PROPRIETARY" TO BEL FUSE INC. AND SHALL NOT BE COPIED, REPRODUCED OR DISCLOSED WITHOUT THE WRITTEN APPROVAL OF BEL FUSE INC.

LED SPECIFICATION		
STANDARD LED	WAVELENGTH	FORWARD V (MAX) * (TYP)
GREEN	565 nm	2.5 V 2.2 V
YELLOW	590 nm	2.5 V 2.1 V

*WITH A FORWARD CURRENT OF 20 mA (TYP)



NOTES:

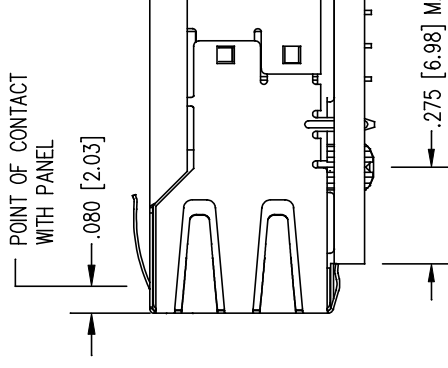
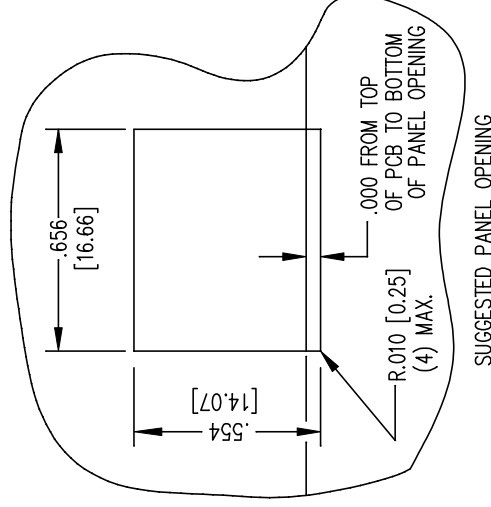
- CONNECTOR HOUSING: CONTACT/S SHIELD PLATE CONTACT P
- PIN NOT EL SEE ELECT
- TOLERANCE
- ALL TOLER
- REFLOW AN 10 SECOND

ORIGINATED BY	DATE	TITLE	PART NO. / DRAWING NO.	STANDARD DIM.
Zeng Xiaochun	2012-04-18	MagJack® 10/100BT, PoE TAB UP, SHIELDED PATENTED	SI-52008-F	TOL. IN INCH
DRAWN BY	DATE		FILE NAME	X
Duan Jun	2012-04-18		SI-52008-F.DWG	.XX
				.XXX

FM999185 REV C0

This document is electronically generated. This is a controlled copy if used internally

THE INFORMATION CONTAINED HEREIN IS CONSIDERED "PROPRIETARY" TO BEL FUSE INC. AND SHALL NOT BE COPIED, REPRODUCED OR DISCLOSED WITHOUT THE WRITTEN APPROVAL OF BEL FUSE INC.



SUGGESTED PANEL OPENING

1. THE SUGGESTED PANEL OPENING TO GIVE THE USER THE ABILITY TO REASONABLE JACK / PANEL CONTACT YET MAINTAIN RELIABLE GROUP CAPABILITY.
2. ALL TOLERANCES NOT OTHERWISE STATED TO BE ± 0.005 [0.13]



ORIGINATED BY	DATE	TITLE	PART NO. / DRAWING NO.	STANDARD DIM. TOL. IN INCH
Zeng Xiaochun	2012-04-18	MagJack® 10/100BT,PoE TAB UP,SHIELDED PATENTED	SI-52008-F	.X
DRAWN BY	DATE		FILE NAME	.XX
Duan Jun	2012-04-18		SI-52008-F.DWG	.XXX
				± 0.005

FM999185 REV C0

This document is electronically generated. This is a controlled copy if used internally

Looking for pricing, stock, or lifecycle information?

Click below to explore more details on WIN SOURCE:

-  [View SI-52008-F on WIN SOURCE](#)
-  [Bel Fuse Inc. Information](#)

Optimize Your Supply Chain with WIN SOURCE Solutions

-  Global Sourcing Solution
-  Obsolete Management
-  Cost Control Management
-  Shortage Management
-  Alternative Solution
-  Excess Inventory Management