

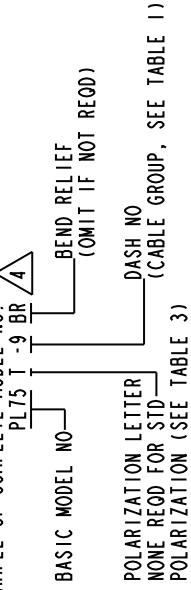


**THE DATASHEET OF
PL75-29**



TABLE 1									
DASH NO	CABLES ACCOMMODATED	A DIM	B DIM	C FLATS	D FLATS	E DIA	CABLE ENTRY DIA	ASSEMBLY PER	CABLE TYPE
-7	TRC-50-2, M17/134-00001	1.135	.096	.438	.438	.500	.274	TAI-189	TRIAX
-8	8227, BELDEN	1.716	.130	.625	.688	.750	.345	TAI-103	TWINAX
-9	TWC-124-2, M17/45-RG 308		.096	.438				TAI-102	TWINAX
-9	BL782, TIMES	1.135	3	3	.438	.500	.285	TAI-102	TRIAX
-9	BL982, TIMES							TAI-102	TRIAX
-9	BL1242, TIMES							TAI-102	TRIAX
-10	RG-22, AT&T	1.716					.455	TAI-103	TWINAX
-11	754E, AT&T						.345	TAI-103	TWINAX
-11	760A, AT&T						.485	TAI-128	TWINAX
-12	16PEVL, AT&T		.130	.625	.688	.750	.362	TAI-129	TWINAX
-12	VI-AL, GENERAL						.352	TAI-165	TWINAX
-13	TRF-59, TIMES						.510	TAI-129	TWINAX
-13A	8233, BELDEN						.183	TAI-189	TWINAX
-14	8233, BELDEN						.191	TAI-102	TWINAX
-23	250-3884, MICROROOT						.200	TAI-189	TWINAX
-24	202-3927, MICROROOT						.285	TAI-102	TWINAX
-24A	9330A5117, RAYCHEM						.183	TAI-189	TWINAX
-25	1-43M, GENERAL						.145	TAI-102	TWINAX
-25A	5021H5331, RAYCHEM						.191	TAI-189	TWINAX
-26	7028A5518, RAYCHEM						.145	TAI-102	TWINAX
-26	1191PS12619N, WOVEN						.191	TAI-102	TWINAX
-27	202-3927, MICROROOT						.235	TAI-102	TWINAX
-27	202-3942, MICROROOT						.191	TAI-189	TWINAX
-29	TWC-78-1/TWC-124-1A	1.135	.096	.438	.438	.500	.300	TAI-189	TRIAX
-30	761A, AT&T						.200	TAI-102	TRIAX
-30	8441, BELDEN						.183	TAI-102	TRIAX
-32	TRC-50-1						.191	TAI-102	TRIAX
-33	TRC-75-1						.217	TAI-102	TRIAX
-42	21-204, ESSEX						.300	TAI-189	TRIAX
-42	4463, CONSOLIDATED						.200	TAI-102	TRIAX
-43	250-4044/250-4045						.183	TAI-102	TWINAX
-43	293-3930, MICROROOT						.475	TAI-103	TWINAX
-45	M27500-221E2714						.164	TAI-102	TWINAX
-46	9860, BELDEN	1.716	.130	.625	.688	.750	.132	TAI-103	TWINAX
-47	M17/176-0002	1.135	.096	.438	.438	.500	.323	TAI-102	TWINAX
-49	TWC-78-1F2	1.716	.130	.625	.688	.750	.250	TAI-102	TWINAX
-54	89207, BELDEN						.191	TAI-189	TRIAX
-55	89272, BELDEN						.198	TAI-102	QUADRAX
-56	6C8156C1, GRUHMANN						.191	TAI-189	TRIAX
-57	6C8156B1, GRUHMANN						.198	TAI-102	QUADRAX
-58	6C8156A1, GRUHMANN						.191	TAI-189	TRIAX
-58	6C8157M24H, GRUHMANN						.198	TAI-102	QUADRAX
-59	6C8151N1, GRUHMANN						.217	TAI-189	TRIAX
-59	M17/177-0002, THERMATICS	1.135	.096	.438	.438	.500	.183	TAI-189	TRIAX
-60	380-10045, BOEING								
-64	7528A5314, RAYCHEM								

5. EXAMPLE OF COMPLETE MODEL NO:



4 IF BEND RELIEF SPRING REQUIRED (SEE FIG 1) ADD SUFFIX "BR" TO MODEL NUMBER (NOT AVAILABLE WITH CABLE GROUPS -8, -10, -11, -12, -13, -13A, -14, -46, & -54)

3 CLAMP NUT OMITTED

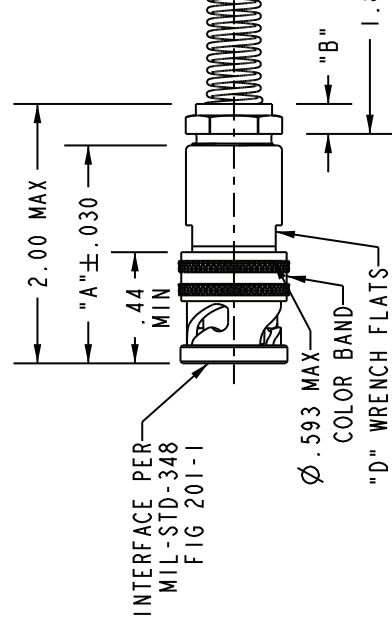
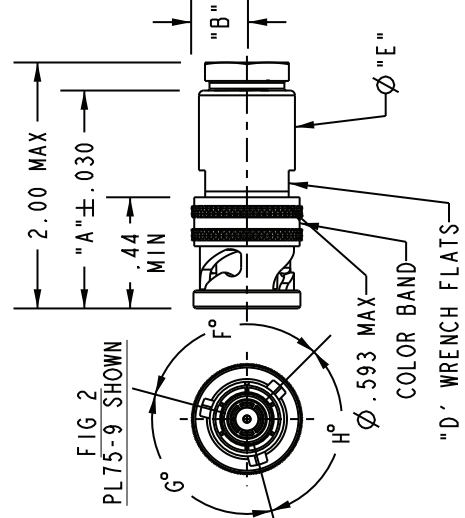
2. CONCENTRIC TWINAX/TRIAX 3-LUG TRB CABLE PLUG

1. PLATING: 310-0002-XX PER TFS-1 OR -U

NOTES: UNLESS OTHERWISE SPECIFIED, FOR UNPLATED

DATA CONTAINED IN THIS DOCUMENT IS PROPRIETARY TO EMERSON CONNECTIVITY SOLUTIONS AND SHALL NOT BE DISCLOSED, COPIED OR USED FOR PROCUREMENT OR MANUFACTURE WITHOUT EXPRESS WRITTEN PERMISSION



REV BS ECO 52461



INTERPRET DRAWING PER MIL-STD-100. DIMENSIONS ARE IN INCHES AND INCLUDE FINISH THICKNESS UNLESS OTHERWISE SPECIFIED.		TOL: UNLESS SPECIFIED. .XX ± .02 .XXX ± .010 ANGLE ± 1°	
DRW: M. JOHNSON	3-18-09	MATERIAL:	
CHK: LM	4/1/09	FINISH:	
QUALITY		DO NOT SCALE DWG	
MANUF		SCALE	
APPROVED		SIZE A	
PROJ TITLE NO	310-0002	DO NOT SCALE DWG	
SURFACE AREA		SCALE	

Looking for pricing, stock, or lifecycle information?

Click below to explore more details on WIN SOURCE:

-  [View PL75-29 on WIN SOURCE](#)
-  [Cinch Connectivity Solutions](#) Information

Optimize Your Supply Chain with WIN SOURCE Solutions

-  Global Sourcing Solution
-  Obsolete Management
-  Cost Control Management
-  Shortage Management
-  Alternative Solution
-  Excess Inventory Management