



THE DATASHEET OF KMR231G LFS



KMR2 Series

Micro Miniature Tactile Switch for SMT 4.2 x 2.2 mm,
with 1.9 mm Height Actuator



Description

The KMR2 series of micro miniature tactile switches for SMT are 1.9 mm high momentary action tactile switches which are available with a variety of operating forces and in a range of electrical lifespans, depending on the model. The KMR2 series has ultra low current capabilities and is designed to give users a positive adaptable tactile feeling, ideal for industrial, medical and automotive applications.

Features & Benefits

- Small footprint
- Good tactile feedback
- Ultra low current capabilities
- IP40
- Compatible with lead free reflow soldering process of SMT devices
- Low halogen, RoHS and REACH compliant

Applications

- Transportation
- Industrial electronics
- Medical equipment

Specifications

Function	Momentary action
Contact Arrangement	1 make contact = SPST, N.O.
Terminals	Gullwing type for SMT
Sealing	IP40

Electrical Characteristics

	Silver	Gold
Maximum Power	1 VA	0.2 VA
Maximum Voltage	32 VDC	32 VDC
Minimum Voltage	20 mVDC	20 mVDC
Maximum Current	50 mA	10 mA
Minimum Current	1 mA ¹	1 mA ¹
Dielectric Strength	≥ 250 Vrms	
Contact Resistance	≤ 100 mΩ	
Insulation Resistance	≥ 1 GΩ	
Bounce Time	≤ 3 ms	

Environmental Characteristics

	Silver	Gold
Operating Temperature	-40°C to 85°C	-40°C to 125°C
Storage Temperature	-55°C to 85°C	-55°C to 125°C

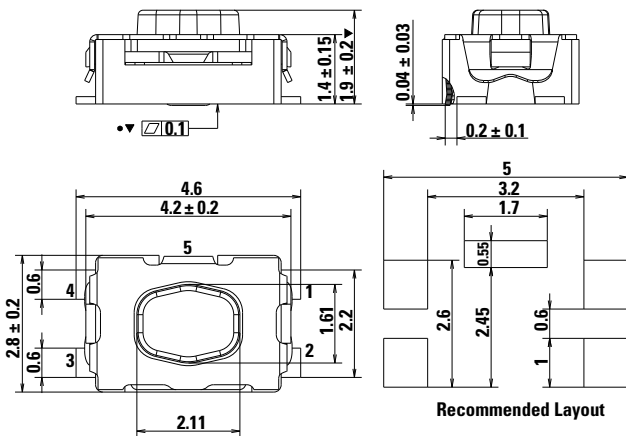
Process

Soldering	Lead free reflow soldering process in accordance with IEC 61760-1
------------------	---

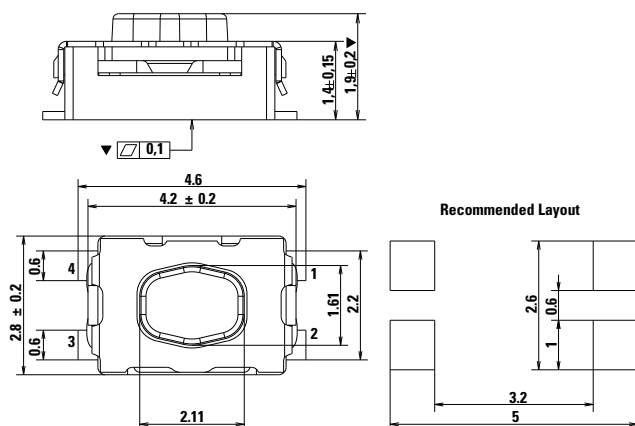
Notes:

1. For ULC version minimum current is 1µA at 1.8 VDC
 2. Specifications listed above are for switches with standard options.
- For information on specific and custom switches, consult Customer Service Center.

G - Ground Pin Dimensions (mm)



NG - No Ground Pin Dimensions (mm)



KMR2 Series

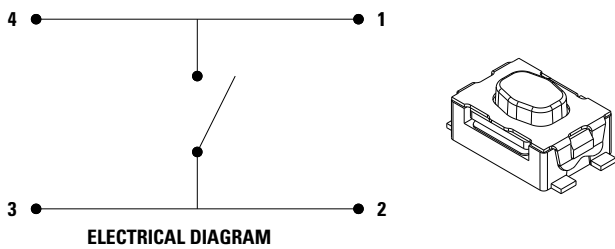
Micro Miniature Tactile Switch for SMT 4.2 x 2.2 mm,
with 1.9 mm Height Actuator



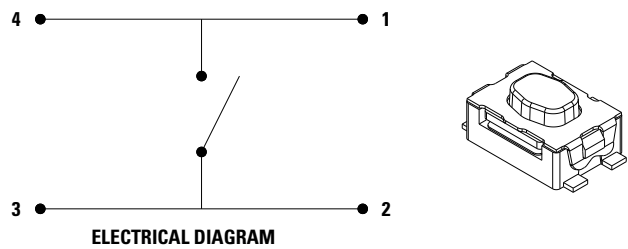
Mechanical Characteristics

Type G and NG	Operating Life (cycles)	Travel (mm)
KMR211	200,000	0.20 mm ± 0.1
KMR213	200,000	0.20 mm ± 0.1
KMR221	200,000	0.25 mm ± 0.1
KMR223	200,000	0.25 mm ± 0.1
KMR231	150,000	0.25 mm ± 0.1
KMR232	300,000	0.25 mm ± 0.1
KMR233	150,000	0.25 mm ± 0.1
KMR241	100,000	0.30 mm ± 0.1
KMR242	200,000	0.30 mm ± 0.1
KMR243	100,000	0.30 mm ± 0.1

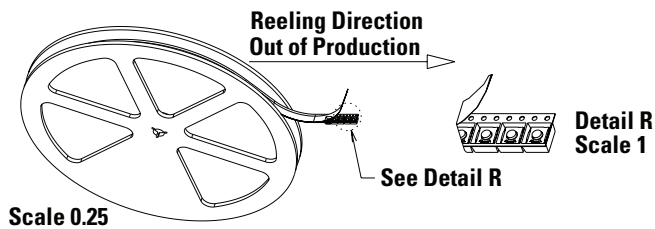
G Terminations (mm)



NG Terminations (mm)



Tape & Reel



Packaging Details

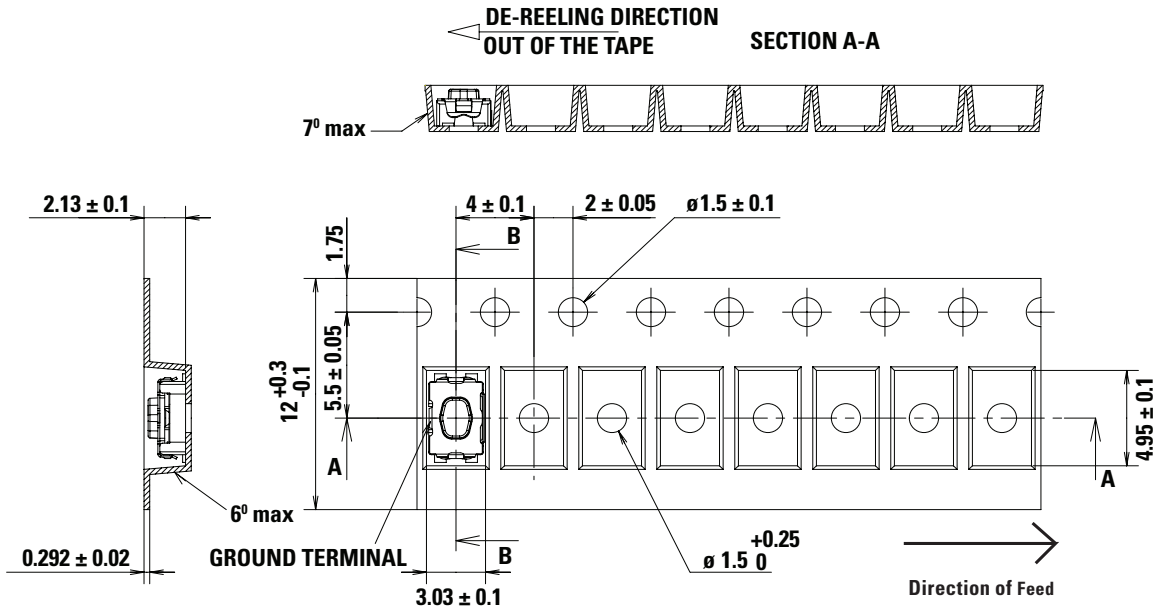
Type	Tape & reel
Number of Parts in Packaging	7,000
Other Information	Tape and reel per EIA 481
Transport Conditions	According to specification NF H00-060

KMR2 Series

Micro Miniature Tactile Switch for SMT 4.2 x 2.2 mm,
with 1.9 mm Height Actuator

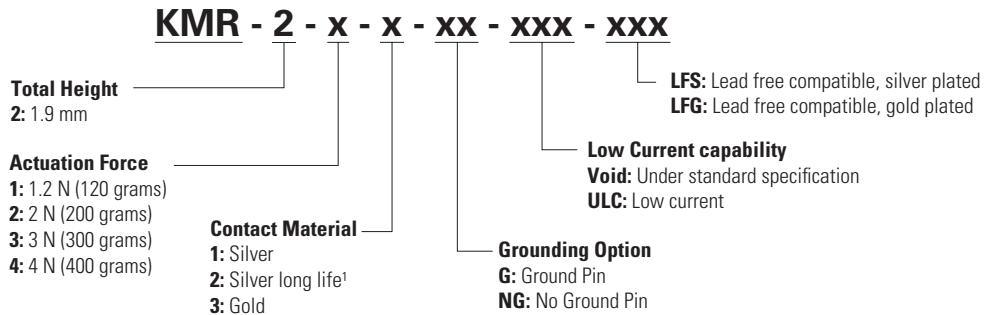


Tape & Reel Dimensions (mm)



Ordering Number

Our easy build-a-switch concept allows you to mix and match options to create the switch you need. To order, select desired option from each category. However, please note that not all combinations of these options are feasible. For any part number different from those listed below, please consult your local representative



Notes

1. Silver long life is available in 3N and 4N actuation force. For other versions, please contact Customer Service.

Liability Limitation

This datasheet does not provide enough information for applications that require a certain level of quality or safety such as automotive, medical systems, or safety equipment. Please contact customer service for the contractual specification package.

Disclaimer Notice - Information furnished is believed to be accurate and reliable. However, users should independently evaluate the suitability of and test each product selected for their own applications. Littelfuse products are not designed for, and may not be used in, all applications. Read complete Disclaimer Notice at <http://www.littelfuse.com/disclaimer-electronics>.

Looking for pricing, stock, or lifecycle information?

Click below to explore more details on WIN SOURCE:

 [View KMR231G LFS](#) on WIN SOURCE

 [C&K Components](#) Information

Optimize Your Supply Chain with WIN SOURCE Solutions

-  Global Sourcing Solution
-  Obsolete Management
-  Cost Control Management
-  Shortage Management
-  Alternative Solution
-  Excess Inventory Management