



**THE DATASHEET OF**  
**962189-1**



962189-1 ✓ ACTIVE

AMP | Junior Timer

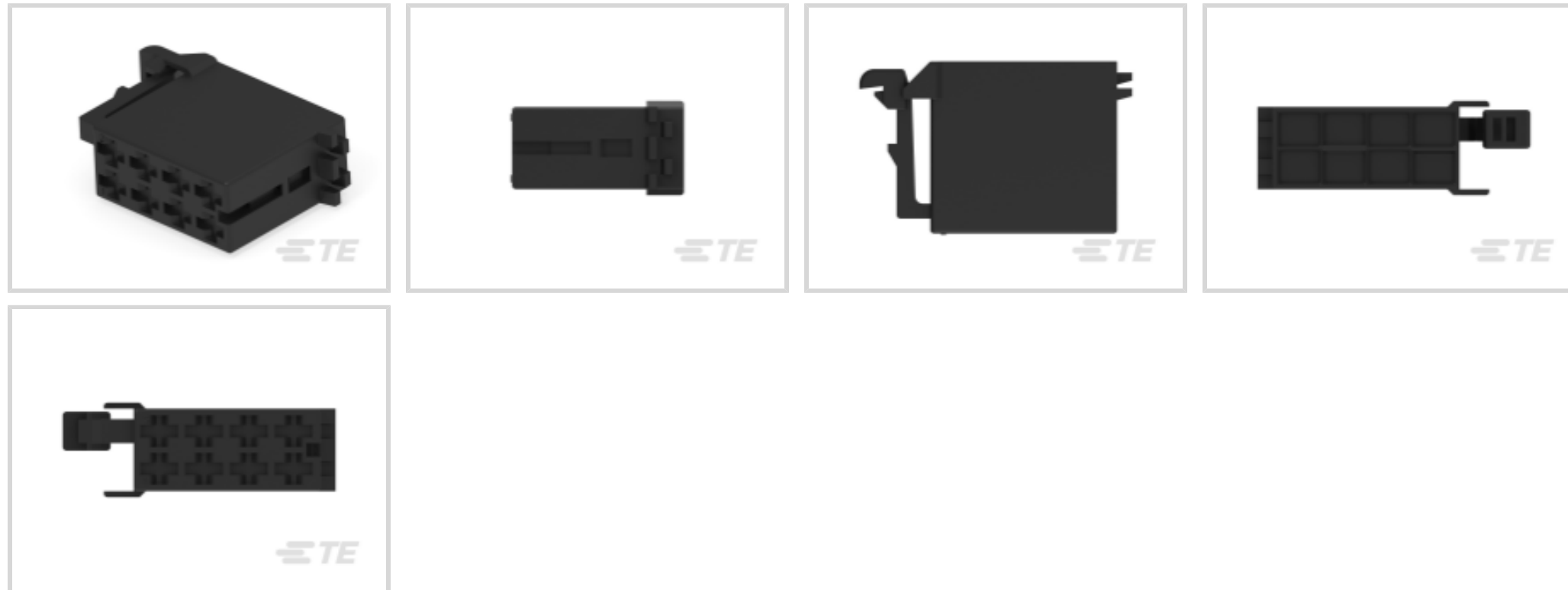
TE Internal #: 962189-1

12 V / 24 V, 8 Position, Automotive Housing for Female Terminals,  
Wire-to-Board / Wire-to-Device, 6 mm [.236 in] Centerline, Gray,  
Junior Timer

[View on TE.com >](#)



Automotive Parts > Automotive Connectors > Automotive Housings > Timer Connector Housing



Nominal Voltage Architecture: 12 V, 24 V

Connector & Housing Type: **Housing for Female Terminals**

Number of Positions: 8

Sealable: **No**

Operating Temperature Range: -40 – 130 °C [ -40 – 266 °F ]

[All Timer Connector Housing \(436\)](#)

## Features

### Product Type Features

Mixed & Hybrid Connector	No
Connector Shape	Rectangular
Connector & Housing Type	Housing for Female Terminals
Sealable	No
Primary Locking Feature	Locking Lance
Connector System	Wire-to-Board, Wire-to-Device
Connector & Contact Terminates To	Wire & Cable

### Configuration Features

Number of Positions	8
Number of Rows	2

### Electrical Characteristics

Nominal Voltage Architecture	12 V, 24 V
------------------------------	------------



### Body Features

Cable Exit Angle	180 °
Primary Product Color	Gray
Connector & Keying Code	Neutral

### Contact Features

Contact Size	2.8mm
Contact Type	Receptacle
Mating Tab Width	2.8 mm[.11 in]
Contact Current Rating (Max)	30 A

### Mechanical Attachment

Strain Relief	Without
Terminal Position Assurance	No
Mating Alignment Type	Polarization
Mating Alignment	With
Connector Mounting Type	Cable Mount (Free-Hanging)

### Housing Features

Housing Material	PA 6.6
Centerline (Pitch)	6 mm[.236 in]

### Dimensions

Row-to-Row Spacing	5 mm[.197 in]
Product Width	23 mm[.906 in]
Product Length	32 mm[1.26 in]
Connector Height	12.6 mm[.496 in]

### Usage Conditions

Operating Temperature Range	-40 – 130 °C[-40 – 266 °F]
Operating Temperature (Max)	130 °C[266 °F]

### Operation/Application

Circuit Application	Power
---------------------	-------

### Industry Standards

UL Flammability Rating	UL 94HB
------------------------	---------

### Packaging Features

Packaging Method	Bag
------------------	-----



**Other**

Serviceable	No
Connector Position Assurance Capable	No

**Product Compliance**

[For compliance documentation, visit the product page on TE.com>](#)

EU RoHS Directive 2011/65/EU	Compliant
EU ELV Directive 2000/53/EC	Compliant
China RoHS 2 Directive MIIT Order No 32, 2016	有害物质含量符合标准要求 No Restricted Substance(s) Above Threshold
EU REACH Regulation (EC) No. 1907/2006	Current ECHA Candidate List: JUNE 2025 (250) Candidate List Declared Against: JUNE 2025 (250) Does not contain REACH SVHC
Halogen Content	Low Halogen - Br, Cl, F < 900 ppm per homogenous material. Also BFR/CFR/PVC Free
Solder Process Capability	Not applicable for solder process capability

**Product Compliance Disclaimer**

This information is provided based on reasonable inquiry of our suppliers and represents our current actual knowledge based on the information they provided. This information is subject to change. The part numbers that TE has identified as EU RoHS compliant have a maximum concentration of 0.1% by weight in homogenous materials for lead, hexavalent chromium, mercury, PBB, PBDE, DBP, BBP, DEHP, DIBP, and 0.01% for cadmium, or qualify for an exemption to these limits as defined in the Annexes of Directive 2011/65/EU (RoHS2). Finished electrical and electronic equipment products will be CE marked as required by Directive 2011/65/EU. Components may not be CE marked. Additionally, the part numbers that TE has identified as EU ELV compliant have a maximum concentration of 0.1% by weight in homogenous materials for lead, hexavalent chromium, and mercury, and 0.01% for cadmium, or qualify for an exemption to these limits as defined in the Annexes of Directive 2000/53/EC (ELV). Regarding the REACH Regulation, the information TE provides on SVHC in articles for this part number is based on the latest European Chemicals Agency (ECHA) 'Guidance on requirements for substances in articles' posted at this URL: <https://echa.europa.eu/guidance-documents/guidance-on-reach>

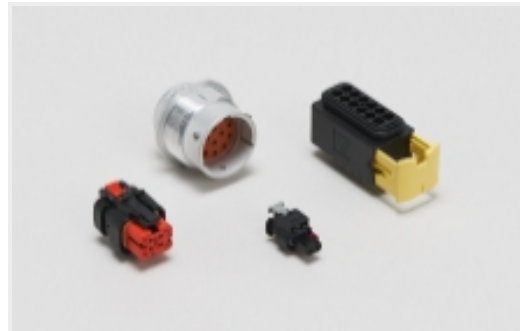
**Compatible Parts**



## Also in the Series | Junior Timer



Automotive Headers(3)



Automotive Housings(38)



Automotive Signal & Power Connector Housings(38)



Busbars & Terminals(1)

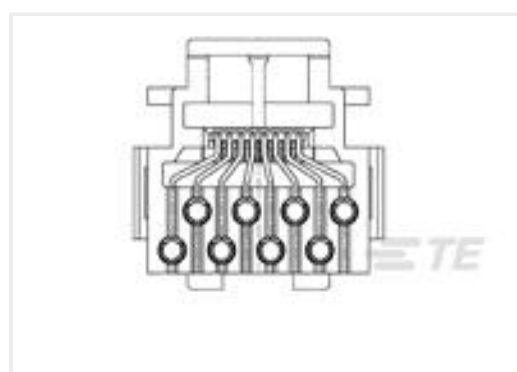
## Customers Also Bought



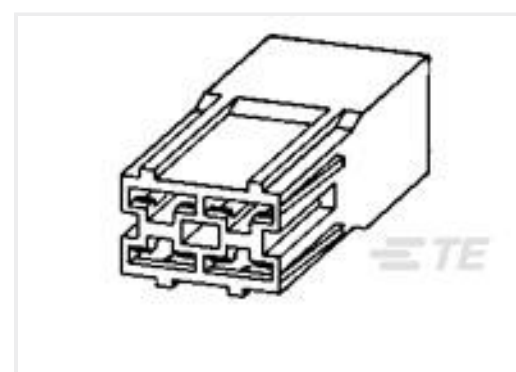
TE Part #K1156050  
Battery Disconnecter 35-221-190-R



TE Part #66579-2  
TYPE VI PIN CONT,MULTI-MATE



TE Part #216005-1  
8P. TOOLLESS MOD J.



TE Part #280073  
FF 375 REC HSG 4P NYLON NAT



TE Part #1-640457-0  
10P MTA100 HDR ASSY SQ R/A F/L



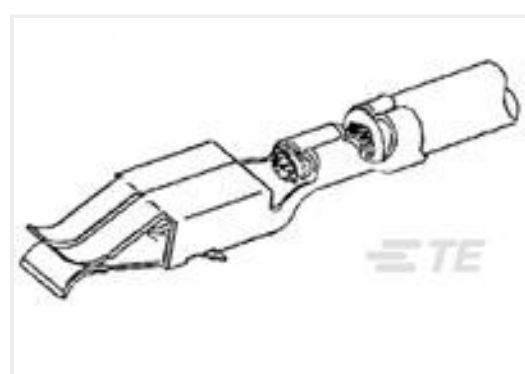
TE Part #926298-3  
04P UNIV.M-N-L.PLUG



TE Part #CAT-T4827-CH8172  
Timer Connector Housing



TE Part #1825057-4  
ADE0504=DIP SWITCH,EXT,THRU/HL



TE Part #170209-1  
MINI SPRING REC

## Documents

### Product Drawings

[8P JUNIOR-TIMER GH](#)

English

### CAD Files

Customer View Model

[ENG\\_CVM\\_962189-1\\_B1.3d\\_igs.zip](#)



English

**Customer View Model**

[ENG\\_CVM\\_962189-1\\_B1.3d\\_stp.zip](#)

English

**Customer View Model**

[ENG\\_CVM\\_962189-1\\_B1.2d\\_dxf.zip](#)

English

**3D PDF**

English

By downloading the CAD file I accept and agree to the [Terms and Conditions](#) of use.

---


### Datasheets & Catalog Pages

[889759\\_3\\_Timer\\_Interconnection\\_System](#)

English

## Looking for pricing, stock, or lifecycle information?

Click below to explore more details on WIN SOURCE:

 [View 962189-1 on WIN SOURCE](#)

 [TE Connectivity](#) Information

## Optimize Your Supply Chain with WIN SOURCE Solutions

-  Global Sourcing Solution
-  Obsolete Management
-  Cost Control Management
-  Shortage Management
-  Alternative Solution
-  Excess Inventory Management