



**THE DATASHEET OF**  
**66400-4**





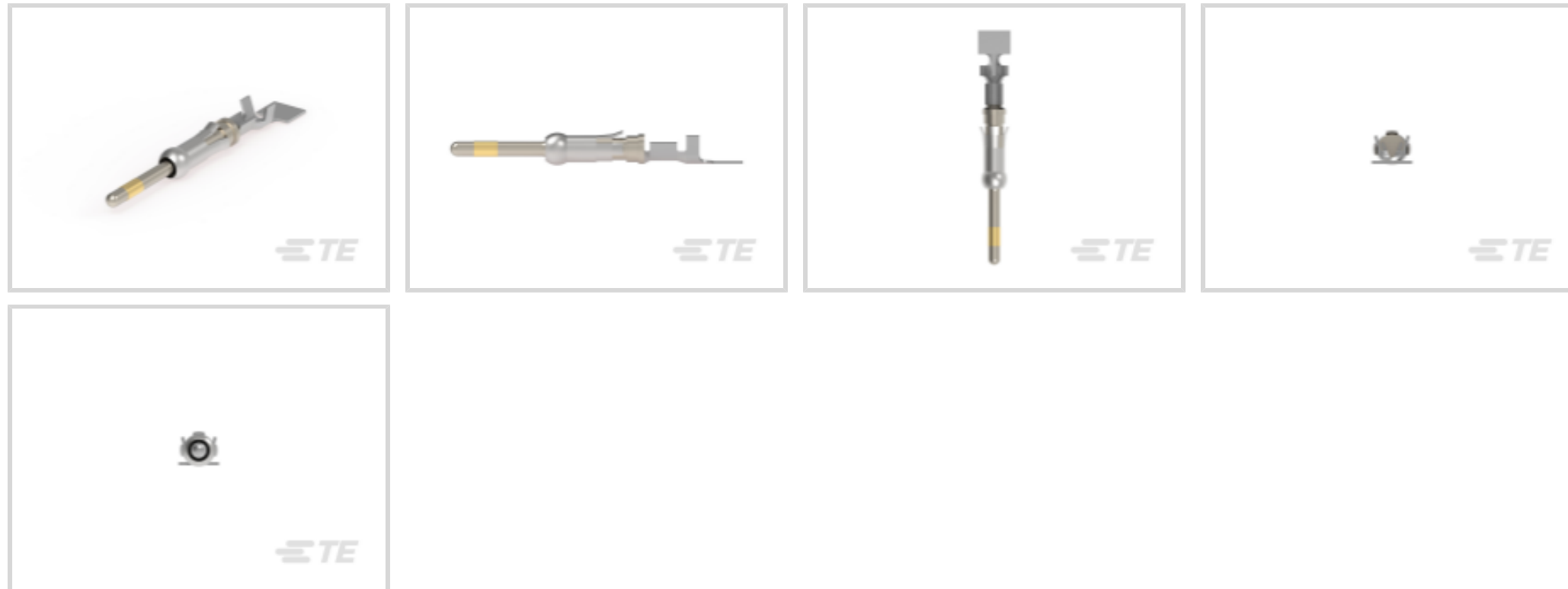
AMP | AMP Type III+, Circular Plastic Connectors Series 1

TE Internal #: 66400-4

Precious Metal, Pin Contact, 24 – 20 AWG, .2 – .6 mm<sup>2</sup> Wire, Locking Spring Contact Retention, Size 16, Discrete Wire, Crimp, Brass, AMP Type III+

[View on TE.com >](#)

Connectors > Contacts > Connector Contacts



Contact Type: **Pin**

Contact Mating Area Plating Material: **Precious Metal**

Wire Contact Termination Area Plating Material: **Tin**

Contact Retention Within Housing: **With**

Contact Retention Type Within Housing: **Locking Spring**

**Features**

**Product Type Features**

Discrete Wire Type	Solid or Stranded
Sealable	No

**Configuration Features**

Compatible With Wire & Cable Type	Discrete Wire
-----------------------------------	---------------

**Contact Features**

Contact Shape & Form	Round
Contact Length	27.56 mm[1.085 in]
Contact Mating Area Length	9.91 mm[.39 in]
Barrel Type	Open
Contact Type	Pin
Contact Mating Area Plating Material	Precious Metal
Wire Contact Termination Area Plating Material	Tin
Contact Retention Within Housing	With
Contact Size	Size 16



Contact Base Material	Brass
Contact Current Rating (Max)	13 A
Mating Pin Diameter	1.57 mm[.062 in]
Contact Mating Area Plating Material Thickness	.76 μm[30 μin]
Contact Mating Area Plating Material Finish	Bright
Wire Contact Termination Area Plating Thickness	1.27 μm[50 μin]
Wire Contact Termination Area Plating Material Finish	Matte
Contact Orientation	Straight
Contact Underplating Material	Nickel
Contact Underplating Material Thickness	1.27 μm[50 μin]

### Termination Features

Termination Method to Wire & Cable	Crimp
Product Terminates To	Wire & Cable

### Mechanical Attachment

Contact Retention Type Within Housing	Locking Spring
Wire Insulation Support	With

### Dimensions

Wire Size	.2 – .6 mm <sup>2</sup>
Compatible Insulation Diameter Range	2.03 – 2.54 mm[.08 – .1 in]

### Usage Conditions

Operating Temperature Range	-55 – 150 °C[-67 – 302 °F]
-----------------------------	----------------------------

### Operation/Application

Circuit Application	Power & Signal
---------------------	----------------

### Packaging Features

Packaging Quantity	1000
Packaging Method	Carton, Loose Piece

### Product Compliance

[For compliance documentation, visit the product page on TE.com>](#)

EU RoHS Directive 2011/65/EU	Compliant
EU ELV Directive 2000/53/EC	Compliant
China RoHS 2 Directive MIIT Order No 32, 2016	有害物质含量符合标准要求 No Restricted



	Substance(s) Above Threshold
EU REACH Regulation (EC) No. 1907/2006	Current ECHA Candidate List: JUNE 2025 (250) Candidate List Declared Against: JUNE 2025 (250) Does not contain REACH SVHC
Halogen Content	Low Halogen - Br, Cl, F < 900 ppm per homogenous material. Also BFR/CFR/PVC Free
Solder Process Capability	Not applicable for solder process capability

Product Compliance Disclaimer

This information is provided based on reasonable inquiry of our suppliers and represents our current actual knowledge based on the information they provided. This information is subject to change. The part numbers that TE has identified as EU RoHS compliant have a maximum concentration of 0.1% by weight in homogenous materials for lead, hexavalent chromium, mercury, PBB, PBDE, DBP, BBP, DEHP, DIBP, and 0.01% for cadmium, or qualify for an exemption to these limits as defined in the Annexes of Directive 2011/65/EU (RoHS2). Finished electrical and electronic equipment products will be CE marked as required by Directive 2011/65/EU. Components may not be CE marked. Additionally, the part numbers that TE has identified as EU ELV compliant have a maximum concentration of 0.1% by weight in homogenous materials for lead, hexavalent chromium, and mercury, and 0.01% for cadmium, or qualify for an exemption to these limits as defined in the Annexes of Directive 2000/53/EC (ELV). Regarding the REACH Regulation, the information TE provides on SVHC in articles for this part number is based on the latest European Chemicals Agency (ECHA) 'Guidance on requirements for substances in articles' posted at this URL: <https://echa.europa.eu/guidance-documents/guidance-on-reach>

## Compatible Parts






TE Part # 208457-3  
CMC PLUG ASSEMBLY, SZ 28-24



TE Part # 796449-1  
PLUG ASSY, CPC, 17-14, REV SEX



TE Part # 58495-2  
PROCRIMPER DIE ASSY MULTIMATE



TE Part # 213849-1  
CPC PLUG ASSEMBLY SIZE 17-16



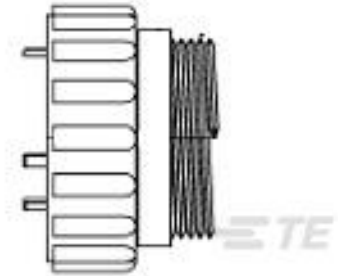
TE Part # 211770-2  
CPC PLUG ASSEMBLY SIZE 23-19



TE Part # 208718-2  
CMC PLUG ASSEMBLY, SZ 14-5



TE Part # 208716-1  
CMC PLUG ASSEMBLY, SZ 14



TE Part # 206516-1  
CPC PLUG ASSEMBLY SIZE 11-4



TE Part # 200893-2  
INSERTION TOOL CONT



TE Part # 213853-1  
CPC PLUG ASSEMBLY SIZE 23-19




TE Part # 1977878-1  
SLD CPC PLUG ASY, 11-4, STD SEX, UV RESIST




TE Part # 796271-1  
SLD CPC PLUG ASSY, 17-14, REV SX


Also in the Series | **AMP Type III+**



Connector Contacts(260)



Insertion & Extraction Tools(4)



Power Contacts(260)

Also in the Series | **Circular Plastic Connectors Series 1**



Circular Power Connectors(211)

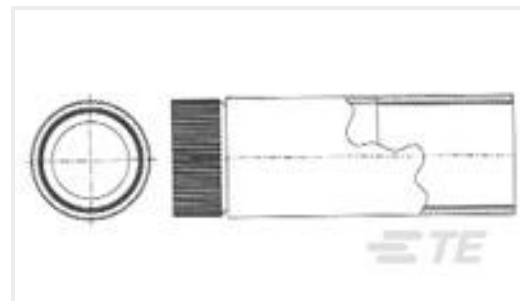


Connector Contacts(260)



Power Contacts(260)

## Customers Also Bought

TE Part #DTM04-4P-E005  
REC, 4P, BLK, N, CAPTE Part #DT04-12PB-P016  
REC, 12P, BLK, BUSBAR 1X12, GOLD, BTE Part #66261-4  
MALE CONTACT ASSY. (L.P.)TE Part #350218-6  
UMNL PIN 20-14 .0125AUPHBZTE Part #747299-8  
15 RCPT SP/FMS INSRTTE Part #1546997-1  
STR RLF ASSY,TUBING,SIZE 8TE Part #6609013-5  
10EH4=F7435 S0TE Part #6609048-6  
6EQ3=F7263 S0TE Part #1423675-3  
W57-XB7A4A10-5=CKTBKR,THERM,PBTE Part #7-1609089-1  
F4381A=10A, 250VAC

## Documents

### Product Drawings

III+ PIN,24-20,30AU/FL,LP

English

### CAD Files

Customer View Model

ENG\_CVM\_CVM\_66400-4\_L.2d\_dxf.zip

English

3D PDF



3D

Customer View Model

[ENG\\_CVM\\_CVM\\_66400-4\\_L.3d\\_igs.zip](#)

English

Customer View Model

[ENG\\_CVM\\_CVM\\_66400-4\\_L.3d\\_stp.zip](#)

English

By downloading the CAD file I accept and agree to the [Terms and Conditions](#) of use.

---

### Datasheets & Catalog Pages

[AMP Circular Connectors for Commercial Signal & Power Applications](#)

English

[Signal Contacts](#)

English

[M\\_SERIES\\_PIN\\_AND\\_SOCKET\\_CONNECTORS](#)

English

---

### Product Specifications

[Application Specification](#)

English

---

### Instruction Sheets

[Instruction Sheet \(U.S.\)](#)


Japanese

[Instruction Sheet \(U.S.\)](#)

English

## Looking for pricing, stock, or lifecycle information?

Click below to explore more details on WIN SOURCE:

 [View 66400-4 on WIN SOURCE](#)

 [TE Connectivity](#) Information

## Optimize Your Supply Chain with WIN SOURCE Solutions

-  Global Sourcing Solution
-  Obsolete Management
-  Cost Control Management
-  Shortage Management
-  Alternative Solution
-  Excess Inventory Management