



THE DATASHEET OF
2-1904058-5



2-1904058-5 ✓ ACTIVE

AMP+ | Mini K HV Precharge Relay

TE Internal #: 2-1904058-5

High Voltage Relay, DC, Monostable, 1 Form X SPST-NO-DM, 20 A
Contact Rating, 12 VDC Coil Voltage, 400 VDC Contact Voltage,
Mini K HV Precharge Relay

[View on TE.com >](#)



Relays & Contactors > Electromechanical Relays



Relay & Contactor Type: **High Voltage Relay**

Coil Magnetic System: **Monostable**

Contact Arrangement: **1 Form X SPST-NO-DM**

Current Type: **DC**

Contact Current Rating: **20 A**

Features

Product Type Features

Relay & Contactor Type	High Voltage Relay
------------------------	--------------------

Configuration Features

Coil Special Features	Without Resistor in Parallel
Contact Arrangement	1 Form X SPST-NO-DM

Electrical Characteristics

Contact Limiting Making Current	20 A
Contact Limiting Breaking Current	20 A
Insulation Initial Dielectric Between Open Contacts	2000 Vrms
Contact Current Rating	20 A
Coil Voltage Rating	12 VDC
Contact Switching Voltage (Max)	450 VDC
Contact Voltage Rating	400 VDC
Coil Resistance	50 Ω
Coil Power Rating DC	2.9 W
Insulation Initial Dielectric Between Contacts & Coil	2000 Vrms

Body Features

Product Weight	17 g[.6 oz]
Enclosure Type	Flux Resistant Automatic Solder Capable &



Washable

Contact Features

Contact Material	Silver Alloy
------------------	--------------

Termination Features

Main Termination & Connection Type	Solder Pins
------------------------------------	-------------

Coil Termination & Connection Type	Solder Pins
------------------------------------	-------------

Mechanical Attachment

Product Mount Type	Board Mount
--------------------	-------------

Dimensions

Product Width	20.7 mm[.815 in]
---------------	------------------

Product Length	25.55 mm[1.006 in]
----------------	--------------------

Product Height	19.3 mm[.76 in]
----------------	-----------------

Usage Conditions

Operating Temperature Range	-40 – 85 °C[-40 – 185 °F]
-----------------------------	---------------------------

Environmental Category of Protection	RTIII
--------------------------------------	-------

Environmental Ambient Temperature (Max)	85 °C[185 °F]
---	---------------

Operation/Application

Solder Process	Wave Solder Capable
----------------	---------------------

Coil Magnetic System	Monostable
----------------------	------------

Current Type	DC
--------------	----

Other

Coil Power Rating Class	>1.5 – ≤3 W
-------------------------	-------------

Contact Current Class	>16 – ≤25 A
-----------------------	-------------

Height Class (Mechanical)	>16 – ≤22 mm[>.63 – ≤.866 in]
---------------------------	-------------------------------

Length Class (Mechanical)	>22 – ≤33 mm[>.866 – ≤1.299 in]
---------------------------	---------------------------------

Width Class (Mechanical)	>16 – ≤22 mm[>.63 – ≤.866 in]
--------------------------	-------------------------------

Product Compliance

For compliance documentation, visit the product page on [TE.com](https://www.te.com)>

EU RoHS Directive 2011/65/EU	Compliant
------------------------------	-----------

EU ELV Directive 2000/53/EC	Compliant
-----------------------------	-----------

China RoHS 2 Directive MIIT Order No 32, 2016	有害物质含量符合标准要求 No Restricted
---	----------------------------



	Substance(s) Above Threshold
EU REACH Regulation (EC) No. 1907/2006	Current ECHA Candidate List: JUNE 2025 (250) Candidate List Declared Against: JUNE 2025 (250) Does not contain REACH SVHC
Halogen Content	BFR/CFR/PVC Free, but Br/Cl >900 ppm in other sources.
Solder Process Capability	Wave solder capable to 265°C

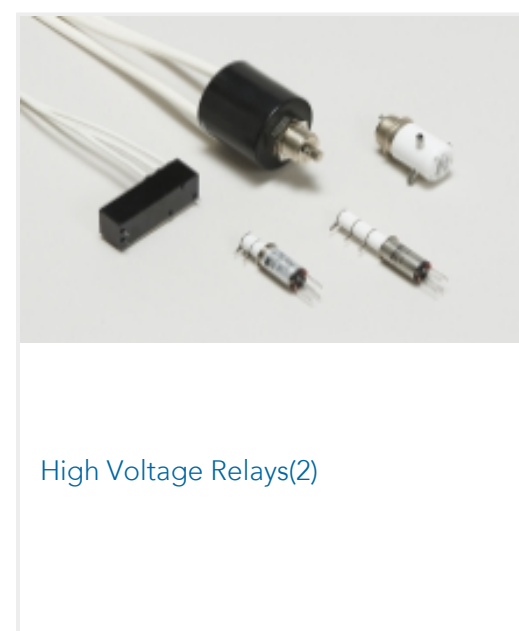
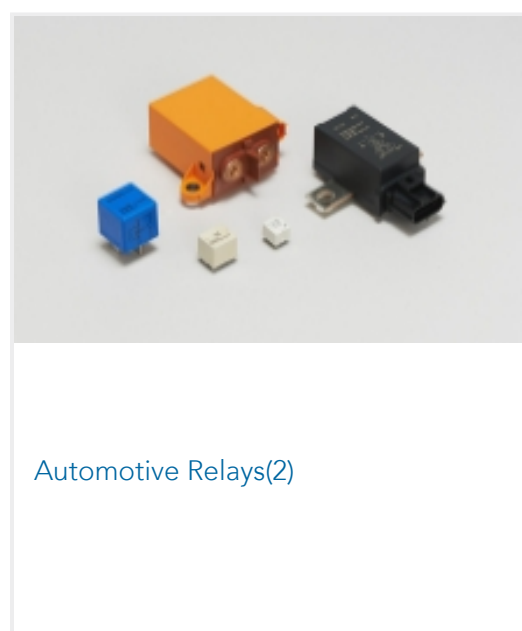
Product Compliance Disclaimer

This information is provided based on reasonable inquiry of our suppliers and represents our current actual knowledge based on the information they provided. This information is subject to change. The part numbers that TE has identified as EU RoHS compliant have a maximum concentration of 0.1% by weight in homogenous materials for lead, hexavalent chromium, mercury, PBB, PBDE, DBP, BBP, DEHP, DIBP, and 0.01% for cadmium, or qualify for an exemption to these limits as defined in the Annexes of Directive 2011/65/EU (RoHS2). Finished electrical and electronic equipment products will be CE marked as required by Directive 2011/65/EU. Components may not be CE marked. Additionally, the part numbers that TE has identified as EU ELV compliant have a maximum concentration of 0.1% by weight in homogenous materials for lead, hexavalent chromium, and mercury, and 0.01% for cadmium, or qualify for an exemption to these limits as defined in the Annexes of Directive 2000/53/EC (ELV). Regarding the REACH Regulation, the information TE provides on SVHC in articles for this part number is based on the latest European Chemicals Agency (ECHA) 'Guidance on requirements for substances in articles' posted at this URL: <https://echa.europa.eu/guidance-documents/guidance-on-reach>

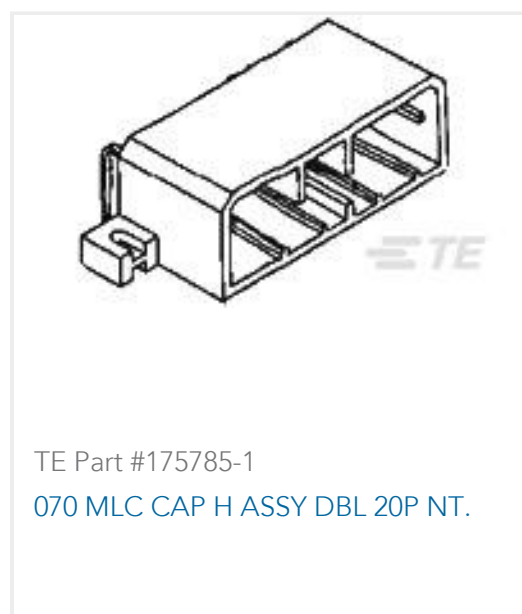
Compatible Parts



Also in the Series | Mini K HV Precharge Relay



Customers Also Bought



TE Part #175785-1
070 MLC CAP H ASSY DBL 20P NT.



TE Part #1-179277-5
DYNAMIC 3200 HDR ASSY 4P H



TE Part #321827
TERMINAL, SOLIS R 14-12 8



TE Part #440054-7
2.0MM, HDR, 7POS, VERTICAL



TE Part #776262-5
14POS, PIN DIA 1.3, HDR ASSY,
180DEG, COD 5



TE Part #1-928776-6
MOD2 STIFT M A-PIN



TE Part #1802824-4
8POS, TAB0.63X0.63, HDR ASSY,
90DEG, COD 1



TE Part #1802824-6
8POS, TAB0.63X0.63, HDR ASSY,
90DEG, COD 3



TE Part #2-1879353-6
RR02 5% 47K AMMO



TE Part #2208165-1
20POS, NANO MQS, HEADER ASSY,
CODA

Documents

CAD Files

3D PDF

3D

Customer View Model

[ENG_CVM_CVM_2-1904058-5_A_c-2-1904058-5-a.2d_dxf.zip](#)

English

Customer View Model

[ENG_CVM_CVM_2-1904058-5_A_c-2-1904058-5-a.3d_igs.zip](#)

English

Customer View Model

[ENG_CVM_CVM_2-1904058-5_A_c-2-1904058-5-a.3d_stp.zip](#)

English

By downloading the CAD file I accept and agree to the [Terms and Conditions](#) of use.

Datasheets & Catalog Pages

Automotive Relay Application Notes

English

High Voltage Relays & Contactors, High Voltage Relay, Mini K HV Precharge Relay

English



Product Specifications

Definitions General Purpose Relays

English

Looking for pricing, stock, or lifecycle information?

Click below to explore more details on WIN SOURCE:

 [View 2-1904058-5 on WIN SOURCE](#)

 [TE Connectivity](#) Information

Optimize Your Supply Chain with WIN SOURCE Solutions

-  Global Sourcing Solution
-  Obsolete Management
-  Cost Control Management
-  Shortage Management
-  Alternative Solution
-  Excess Inventory Management