



THE DATASHEET OF
194017-1

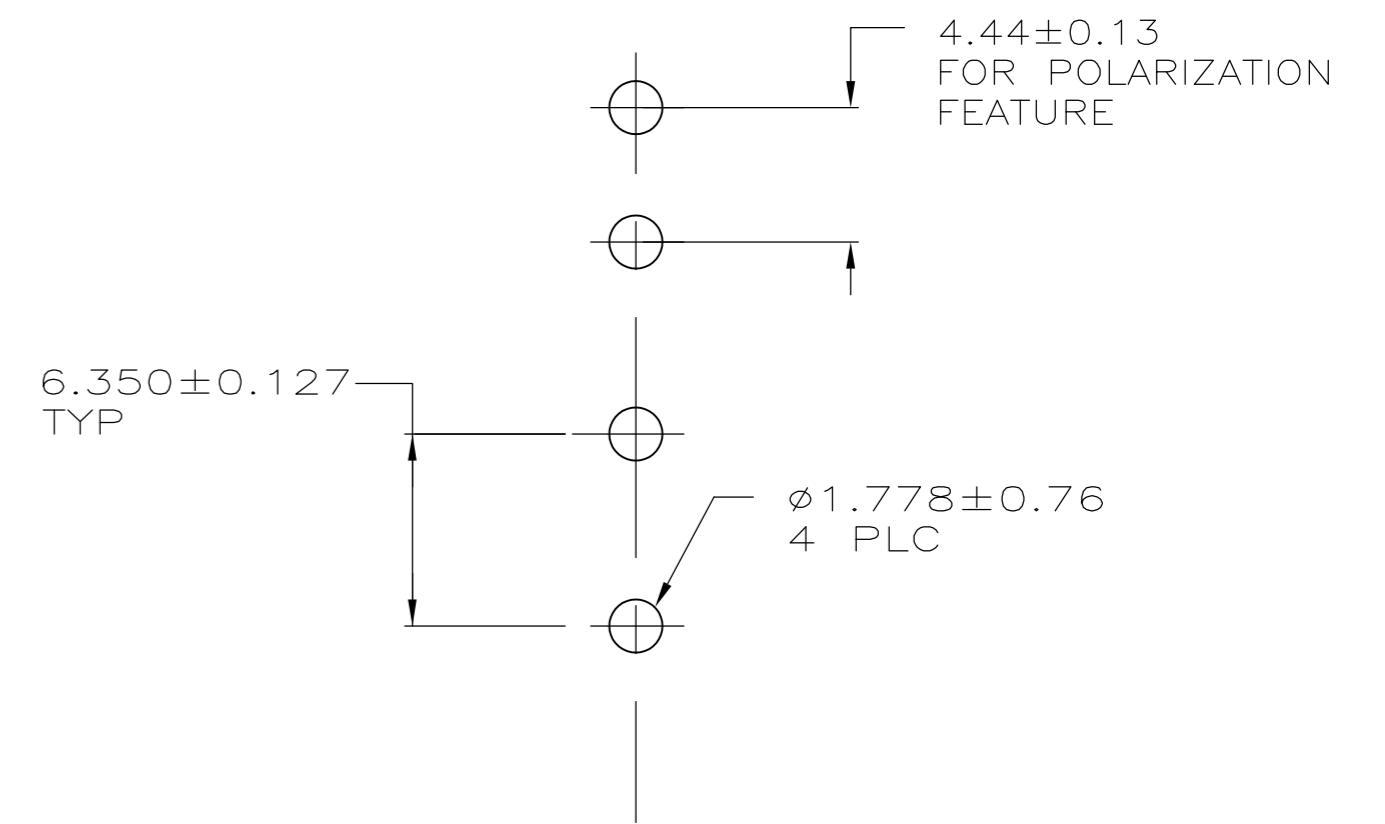
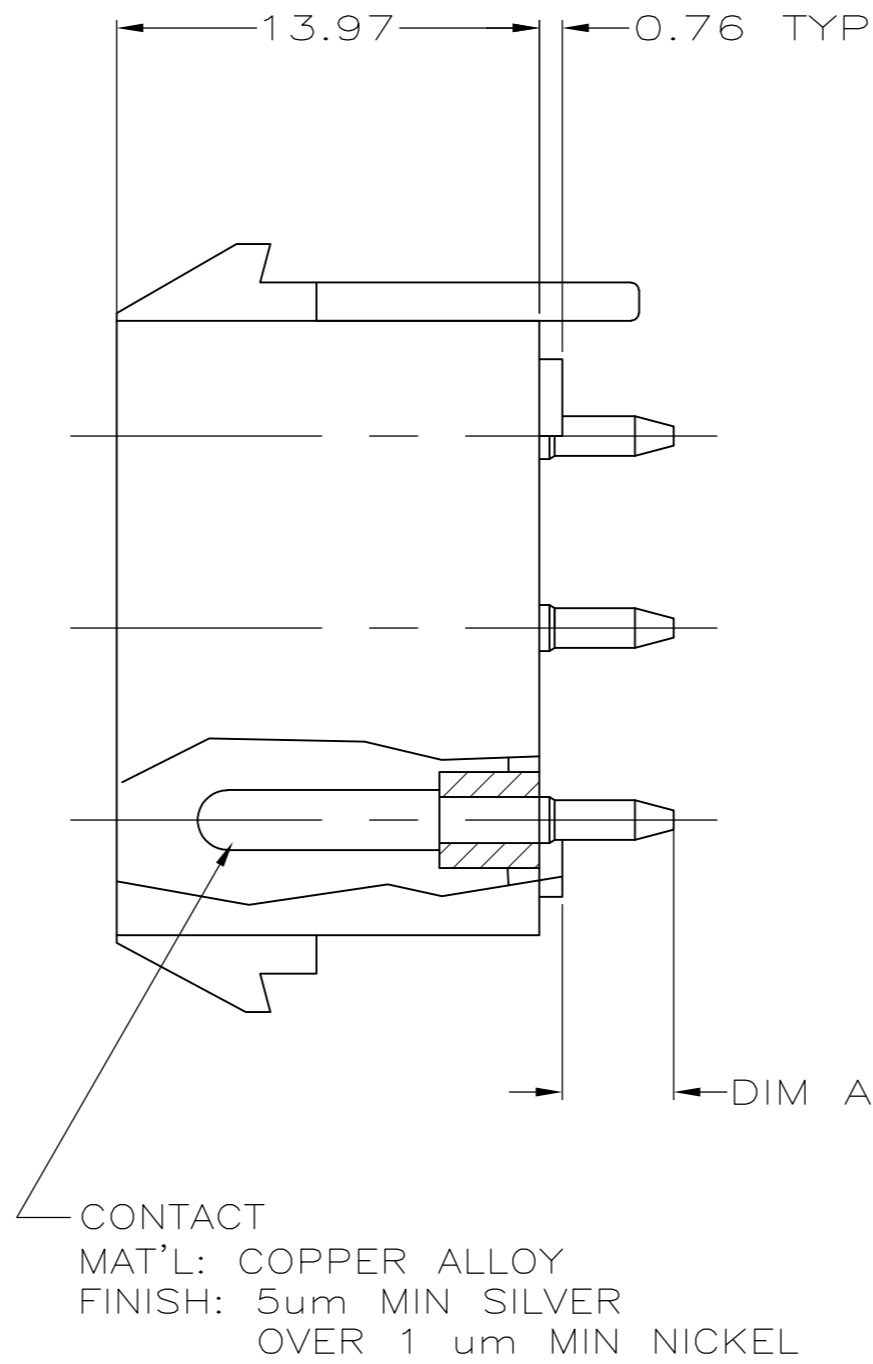
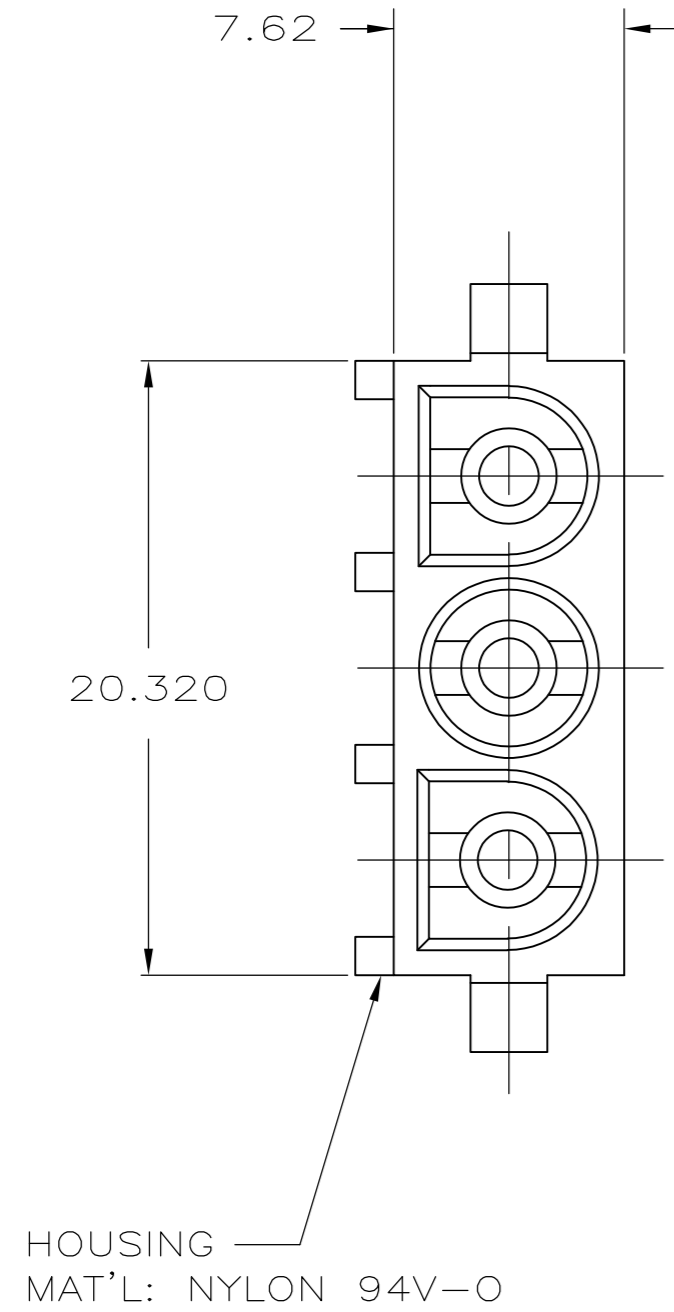


THIS DRAWING IS UNPUBLISHED. RELEASED FOR PUBLICATION
 © COPYRIGHT - By - ALL RIGHTS RESERVED.

LOC		DIST		REVISIONS			
P	LTR	DESCRIPTION	DATE	DWN	APVD		
FT	0	F1	REVISED PER ECO-11-004917	11MAR11	RK	HMR	

NOTES:

- MATES WITH MATE-N-LOK 11 PLUG CONNECTOR USING PN 193797-1 SOCKET CONTACTS.
 - ALL DIMENSIONS ARE REFERENCE ONLY EXCEPT P.C. LAYOUT.
- PRELIMINARY PART NUMBER.




RECOMMENDED LAYOUT FOR
1.57 THICK PC BOARD

	YES	4.32	194017-2
	NO	3.68	194017-1
	CONTACTS LUBRICATED	DIM A	PART NO.

THIS DRAWING IS A CONTROLLED DOCUMENT.		DWN	17/NOV/94	TE Connectivity			
		RNP	-				
DIMENSIONS: mm		CHK	-	HIGH CURRENT VERT. PIN HEADER ASSY, MATE-NLOK II, 3 CIRCUIT			
TOLERANCES UNLESS OTHERWISE SPECIFIED:		APVD	-				
0 PLC ± -		PRODUCT SPEC	-	SIZE CAGE CODE DRAWING NO RESTRICTED TO			
1 PLC ± -		APPLICATION SPEC	-				
2 PLC ± -		WEIGHT	-	A2	00779	C=194017	-
3 PLC ± -		CUSTOMER DRAWING		SCALE	4:1	SHEET	1 OF 1
4 PLC ± -				REV	F1		
ANGLES ± -							
FINISH							

Looking for pricing, stock, or lifecycle information?

Click below to explore more details on WIN SOURCE:

 [View 194017-1](#) on WIN SOURCE

 [TE Connectivity](#) Information

Optimize Your Supply Chain with WIN SOURCE Solutions

-  Global Sourcing Solution
-  Obsolete Management
-  Cost Control Management
-  Shortage Management
-  Alternative Solution
-  Excess Inventory Management