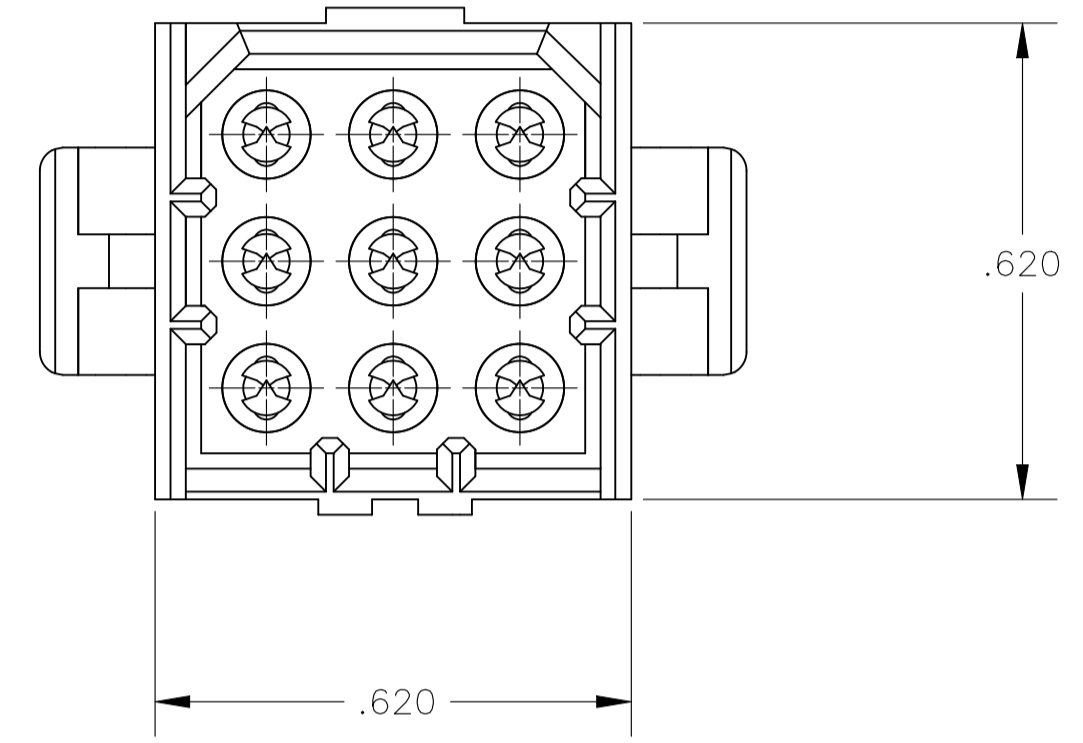
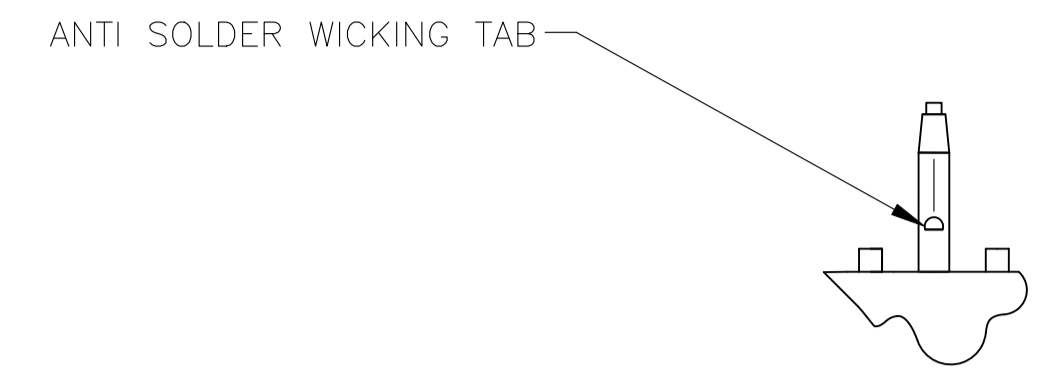
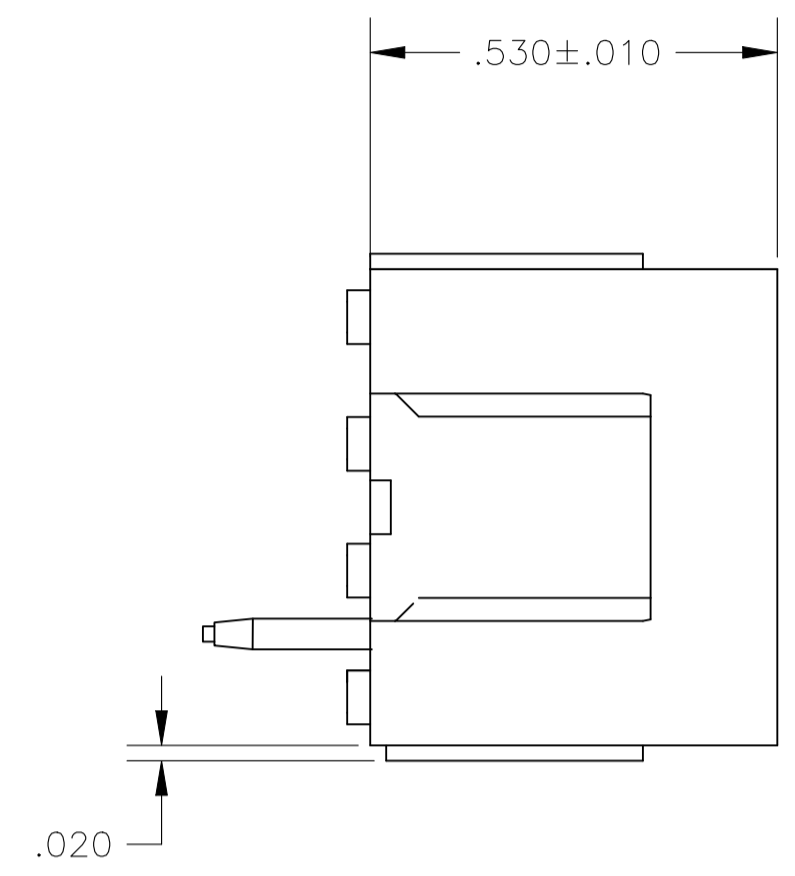
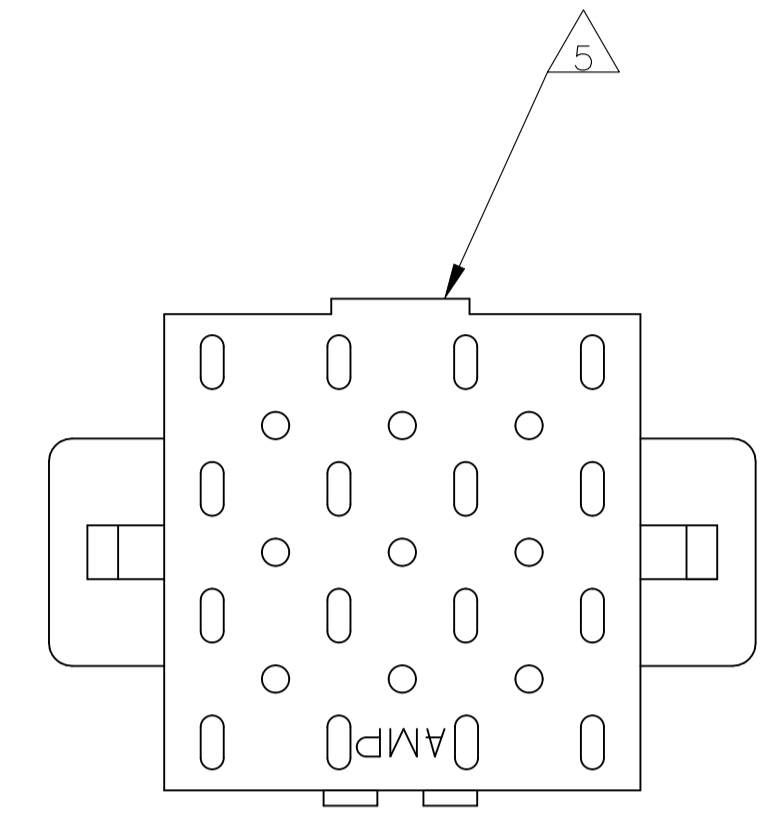




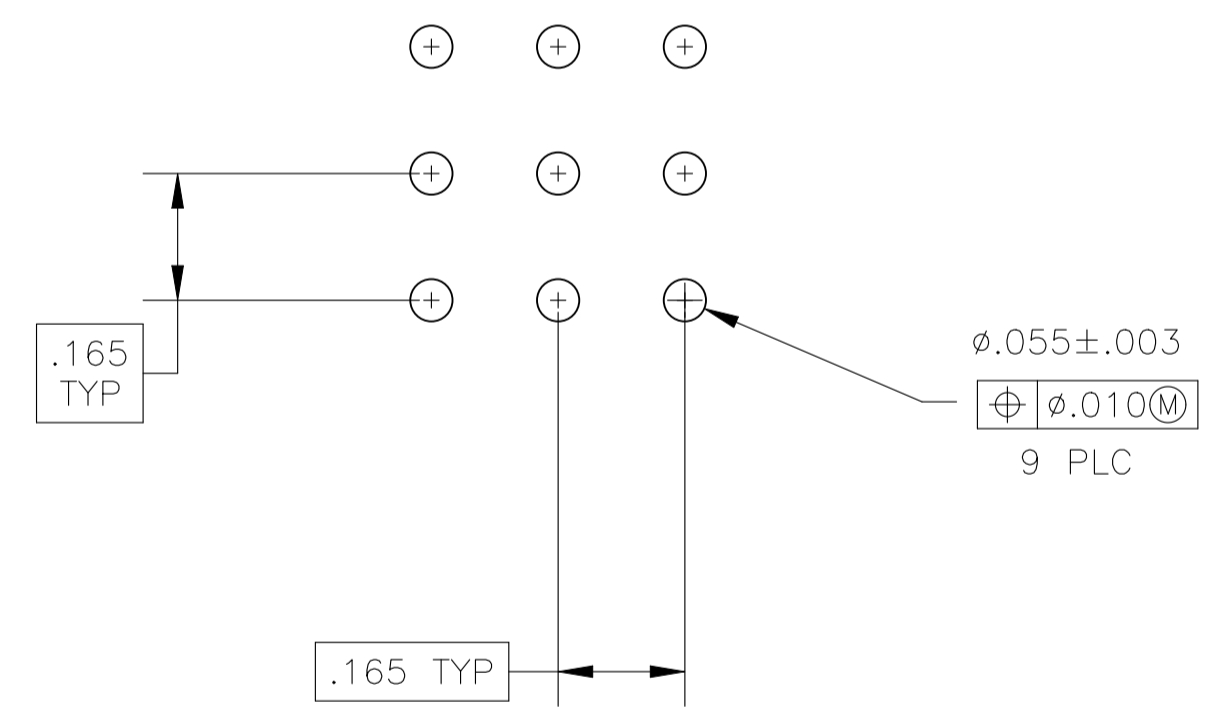
THE DATASHEET OF
2-640501-2



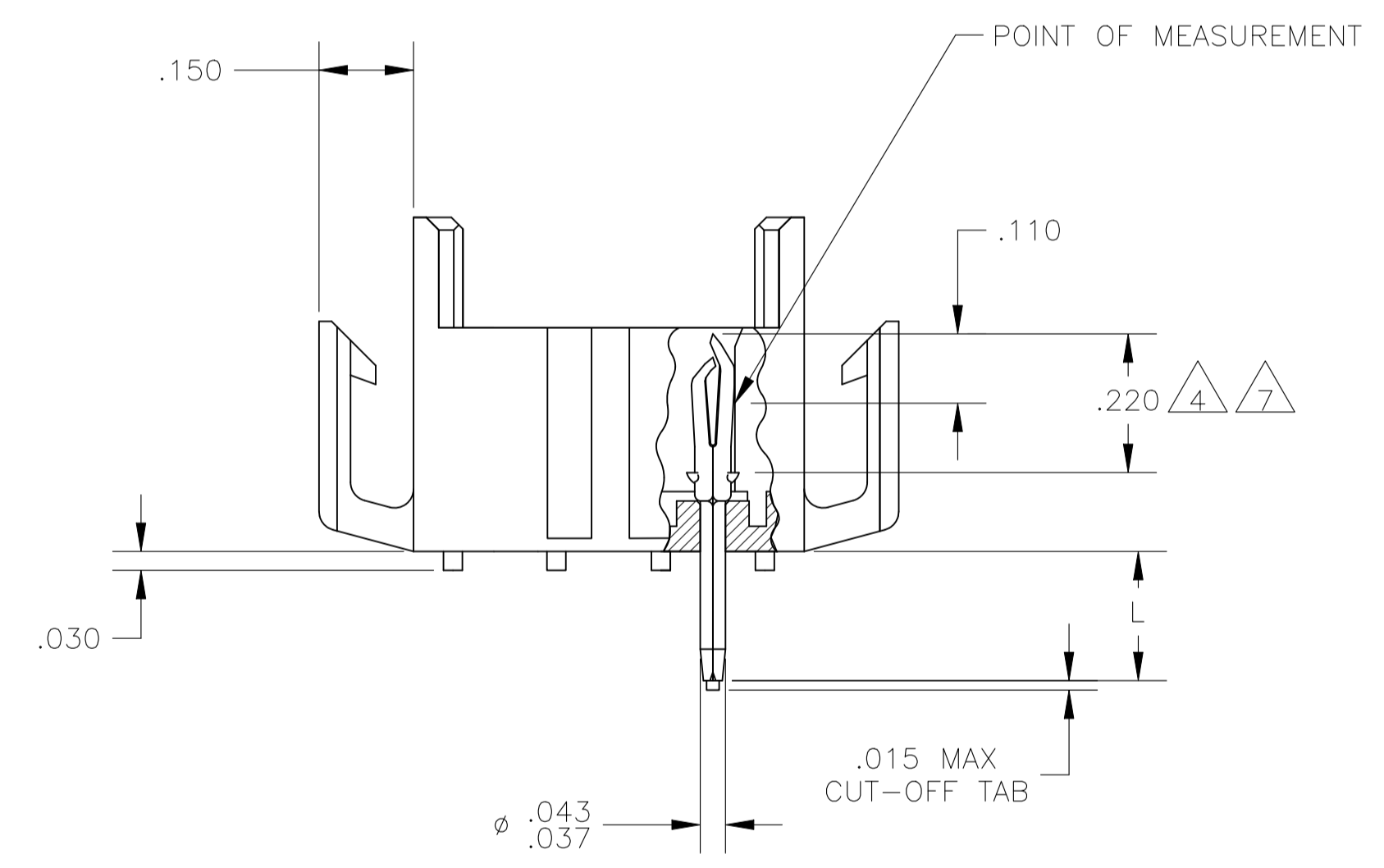
REVISIONS					
P	LTR	DESCRIPTION	DATE	DWN	APVD
T		REVISED PER ECR-24-213594	03JUL2024	RK	FJS



1. FITS SOCKET HOUSING 640521.
2. ASSEMBLY CONFORMS TO AMP SOLDERABILITY SPEC. 109-11-3.
3. FOR USE WITH .063 THICK P.C. BOARD.
4. CONTACT IS PLATED OVERALL WITH .000050 NICKEL, THEN .000030 PRECIOUS METAL PLATE OVER CONTACT LENGTH INDICATED AND .000150 MATTE TIN-LEAD ON SOLDER TAIL END.
5. UL AND CSA LOGO LOCATED ON THIS SURFACE.
6. FOR USE WITH .120 THICK P.C. BOARD.
7. CONTACT IS PLATED OVERALL WITH .000050 NICKEL, THEN .000030 PRECIOUS METAL PLATE OVER CONTACT LENGTH INDICATED AND .000150 MATTE TIN ON SOLDER TAIL END.
8. HOUSING MATERIAL: PA66, BLACK, UL 94 V-0 RATED
CONTACT MATERIAL: PHOSPHOR BRONZE



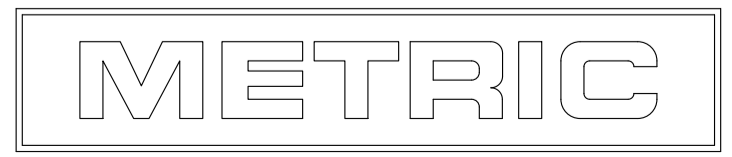
RECOMMENDED P.C. BOARD LAYOUT



.210	6	PRECIOUS METAL PLATE	7	2-640501-4
.150	3	PRECIOUS METAL PLATE	7	2-640501-2
.210	6	PRECIOUS METAL PLATE	4	640501-4
.210	6	PRE-TIN	4	640501-3
.150	3	PRECIOUS METAL PLATE	4	640501-2
.150	3	PRE-TIN	4	640501-1
"L" +.010 -.020		PIN FINISH		PART NUMBER

IN	MM	IN	MM	IN	MM	IN	MM
.008	0.20	.037	0.94	.150	3.81	.620	15.75
.005	0.13	.030	0.76	.110	2.79	.530	13.46
.003	0.08	.020	0.51	.063	1.60	.220	5.59
.000050	0.00127	.015	0.38	.055	1.40	.210	5.33
.000030	0.00076	.010	0.25	.043	1.09	.165	4.19

CONVERSION TABLE




THIS DRAWING IS A CONTROLLED DOCUMENT.

DIMENSIONS:	TOLERANCES UNLESS OTHERWISE SPECIFIED:	DIN J. HUFFMAN 28 APR 98	APVD R. SWING 28 APR 98	NAME	TE Connectivity
INCHES:	0. PLC ± -	CHK R. SWING 28 APR 98	APVD T. REDDICK 28 APR 98	PRODUCT SPEC	HEADER ASSEMBLY, PIN, 9 POSITION MR.
	1. PLC ± -			APPLICATION SPEC	
	2. PLC ± -			WEIGHT	
	3. PLC ± .005			SIZE	A1
	4. PLC ± -			CAGE CODE	00779
	ANGLES ± 0° 30'			DRAWING NO	640501
MATERIAL	FINISH SEE FINISH			RESTRICTED TO	
				CUSTOMER DRAWING	

SCALE 4:1 SHEET 1 of 1 REV T

Looking for pricing, stock, or lifecycle information?

Click below to explore more details on WIN SOURCE:

 [View 2-640501-2 on WIN SOURCE](#)

 [TE Connectivity](#) Information

Optimize Your Supply Chain with WIN SOURCE Solutions

-  Global Sourcing Solution
-  Obsolete Management
-  Cost Control Management
-  Shortage Management
-  Alternative Solution
-  Excess Inventory Management