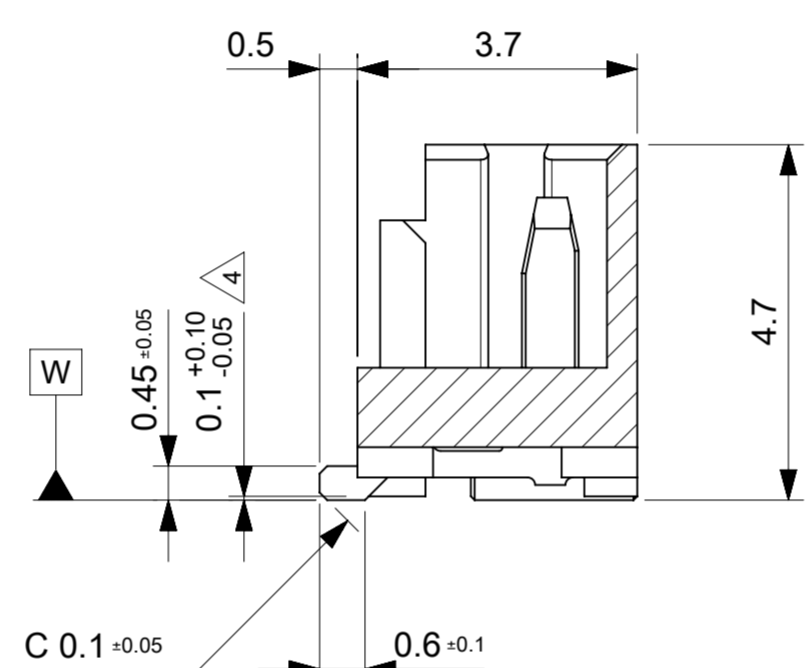
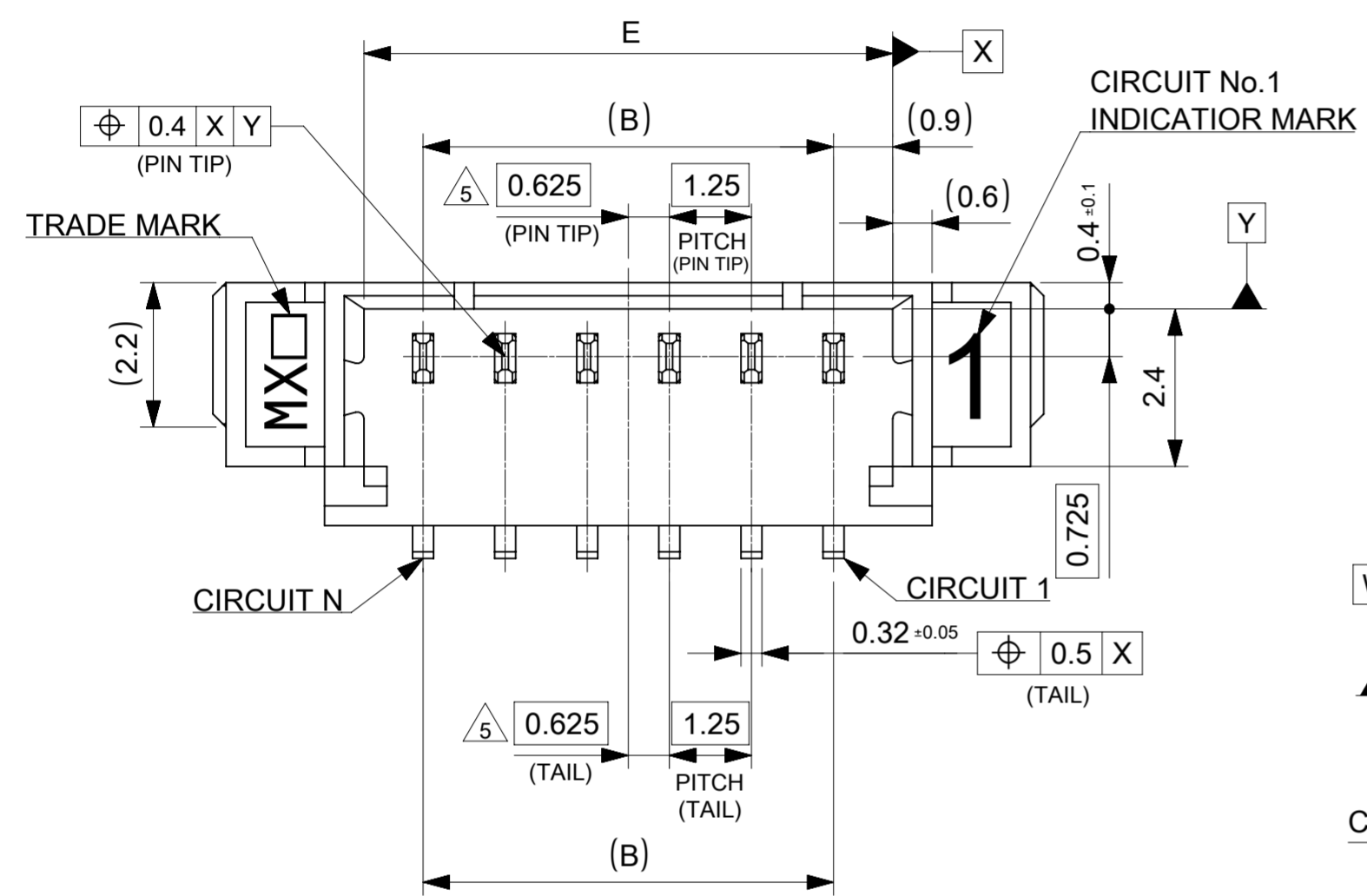
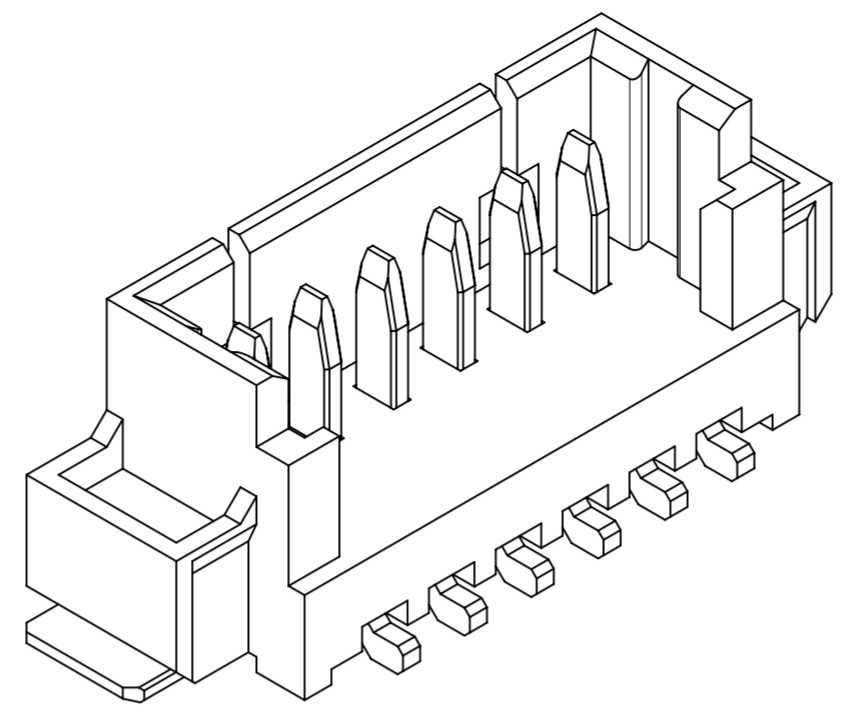
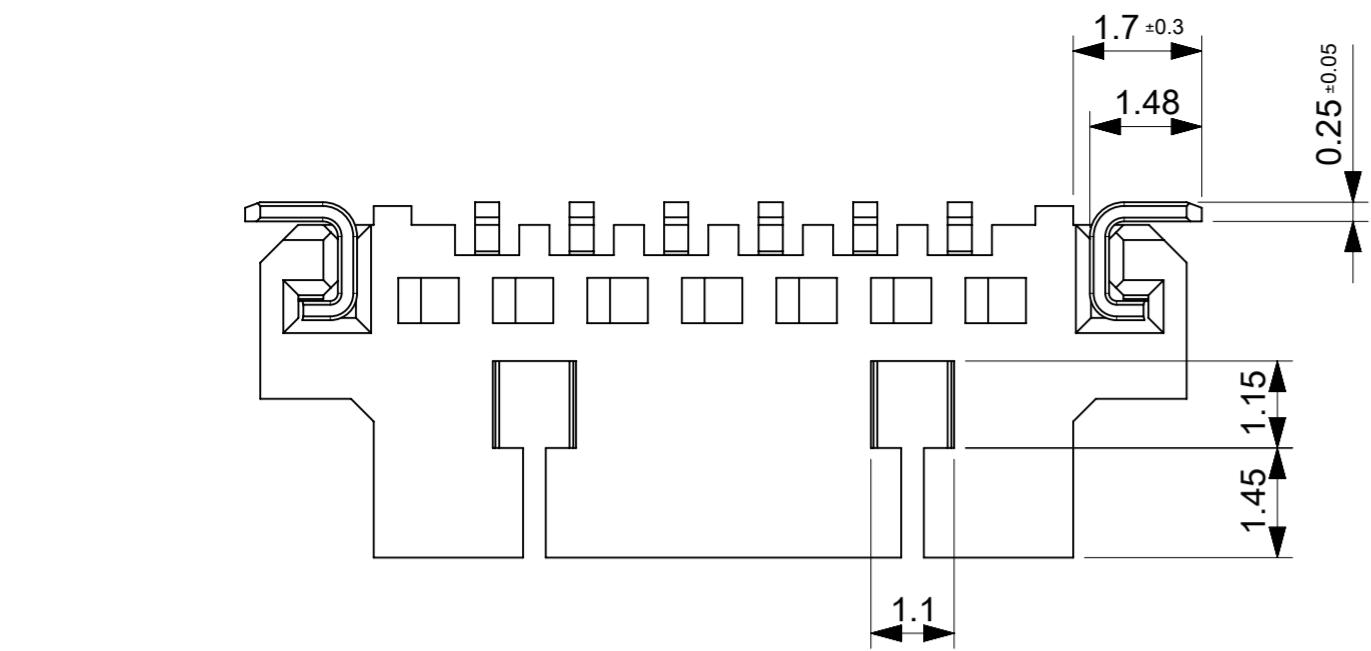


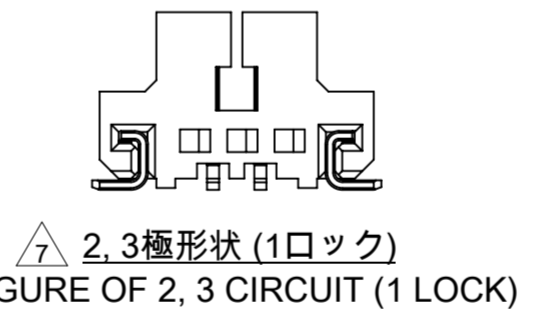
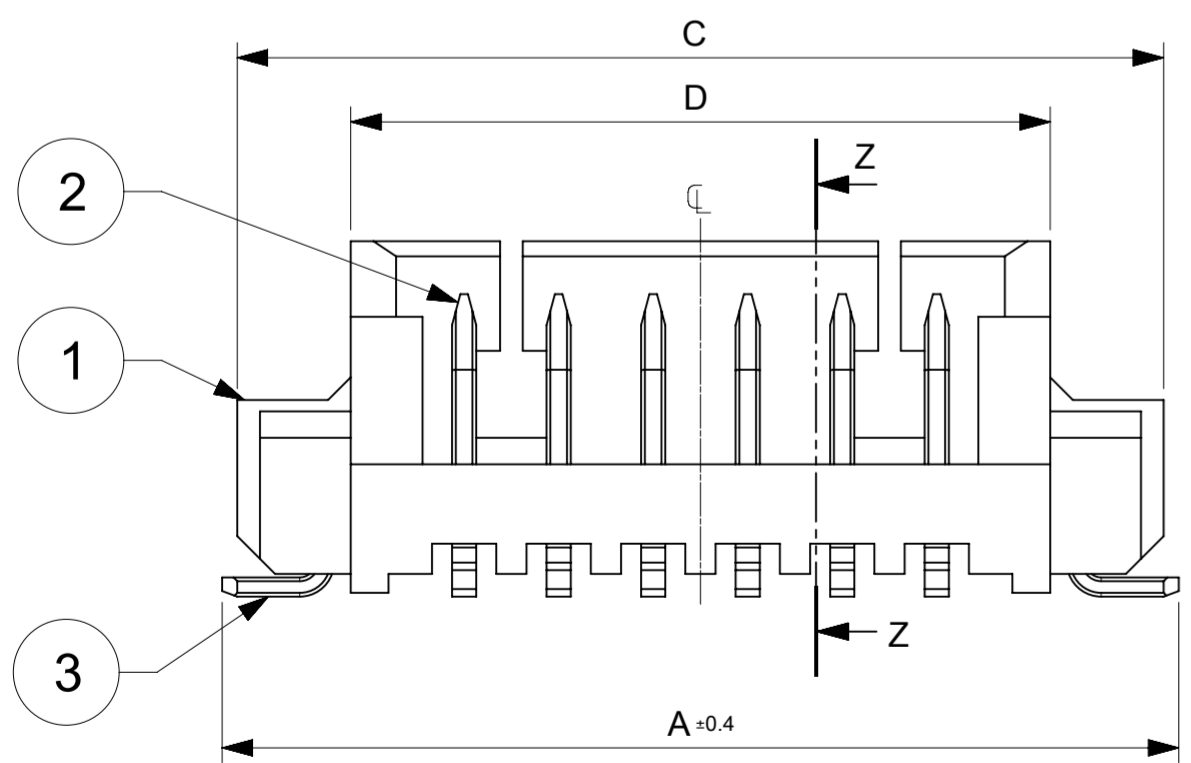


THE DATASHEET OF
533980971

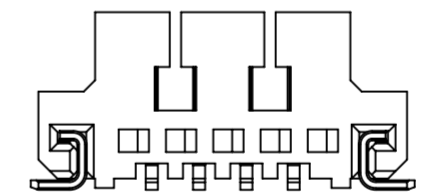




SECTION Z-Z



7 2, 3極形状 (1ロック)
FIGURE OF 2, 3 CIRCUIT (1 LOCK)



7 4~15極形状 (2ロック)
FIGURE OF 4-15 CIRCUIT (2 LOCKS)

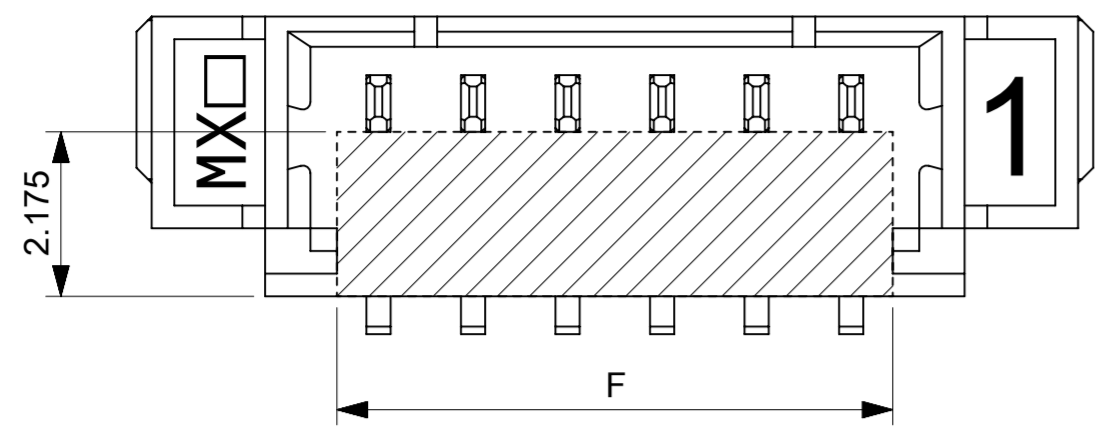
1 TABLE 1

| 番号 NO. | 部品 PART | 材質 MATERIAL | |
|--------|----------------|--|--|
| ① | ハウジング HOUSING | ポリアミド(PA), UL94V-0, GLASS-FILLED, 色: 表参照 POLYAMIDE(PA), UL94V-0, GLASS-FILLED, COLOR: SEE CHART | |
| ② | ターミナル TERMINAL | 母材 MATERIAL | りん青銅 PHOSPHOR BRONZE |
| | | コンタクト部 CONTACT AREA | 無光沢錫めっき 1.0 MICROMETER MINIMUM |
| | | テール部 TAIL AREA | MATTE TIN PLATING 1.0 MICROMETER MINIMUM |
| | | 下地めっき UNDER PLATING | ニッケルめっき 1.0 MICROMETER MINIMUM |
| ③ | ネイル NAIL | 母材 MATERIAL | りん青銅 PHOSPHOR BRONZE |
| | | テール部 TAIL AREA | 無光沢錫めっき 1.0 MICROMETER MINIMUM |
| | | 下地めっき UNDER PLATING | ニッケルめっき 1.0 MICROMETER MINIMUM |
| | | 母材 MATERIAL | りん青銅 PHOSPHOR BRONZE |

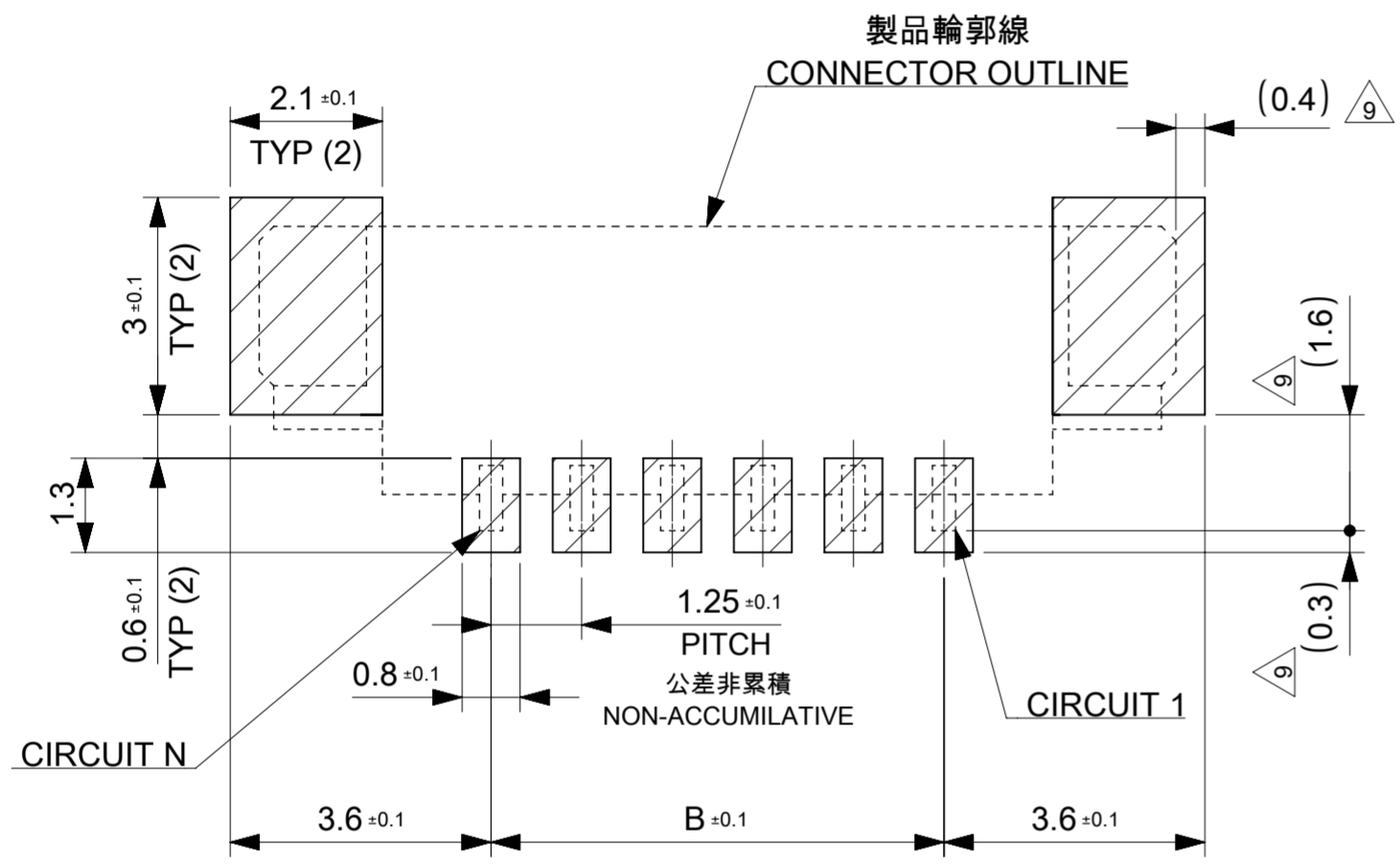
THIS DRAWING CONTAINS INFORMATION THAT IS PROPRIETARY TO MOLEX ELECTRONIC TECHNOLOGIES, LLC AND SHOULD NOT BE USED WITHOUT WRITTEN PERMISSION

| | | |
|--|----------|--------------------------------|
| DIMENSION UNITS | SCALE | CURRENT REV DESC: |
| mm | NTS | |
| GENERAL TOLERANCES (UNLESS SPECIFIED) | | |
| ANGULAR TOL | ± 3.0° | |
| 4 PLACES | ± 0.2 | EC NO: 744677 |
| 3 PLACES | ± 0.2 | DRWN: QHE31 2022/06/07 |
| 2 PLACES | ± 0.2 | CHK'D: AIDA 2023/07/24 |
| 1 PLACE | ± 0.2 | APPR: MARAI 2023/07/24 |
| 0 PLACES | ± 0.2 | INITIAL REVISION: |
| DRAFT WHERE APPLICABLE MUST REMAIN WITHIN DIMENSIONS | | DRWN: SOBARA01 2019/04/04 |
| THIRD ANGLE PROJECTION | | APPR: AIDA 2019/10/30 |
| DRAWING | SERIES | DOCUMENT NUMBER |
| A2-SIZE | 53398 | 533980000-SD |
| MATERIAL NUMBER | CUSTOMER | DOC TYPE DOC PART REVISION |
| SEE CHART | GENERAL | PSD 000 D |
| SHEET NUMBER | | 1 OF 4 |

| | | | | | | |
|-------|-------|-------|-------|-------|-------|--------------------|
| 18.6 | 19.3 | 20.5 | 23.5 | 17.5 | 23.9 | 15 |
| 17.35 | 18.05 | 19.25 | 22.25 | 16.25 | 22.65 | 14 |
| 16.1 | 16.8 | 18 | 21 | 15 | 21.4 | 13 |
| 14.85 | 15.55 | 16.75 | 19.75 | 13.75 | 20.15 | 12 |
| 13.6 | 14.3 | 15.5 | 18.5 | 12.5 | 18.9 | 11 |
| 12.35 | 13.05 | 14.25 | 17.25 | 11.25 | 17.65 | 10 |
| 11.1 | 11.8 | 13 | 16 | 10 | 16.4 | 9 |
| 9.85 | 10.55 | 11.75 | 14.75 | 8.75 | 15.15 | 8 |
| 8.6 | 9.3 | 10.5 | 13.5 | 7.5 | 13.9 | 7 |
| 7.35 | 8.05 | 9.25 | 12.25 | 6.25 | 12.65 | 6 |
| 6.1 | 6.8 | 8 | 11 | 5 | 11.4 | 5 |
| 4.85 | 5.55 | 6.75 | 9.75 | 3.75 | 10.15 | 4 |
| 3.6 | 4.3 | 5.5 | 8.5 | 2.5 | 8.9 | 3 |
| 2.35 | 3.05 | 4.25 | 7.25 | 1.25 | 7.65 | 2 |
| F | E | D | C | B | A | 極数 CIRCUIT SIZE |



吸着面
VACUUM AREA

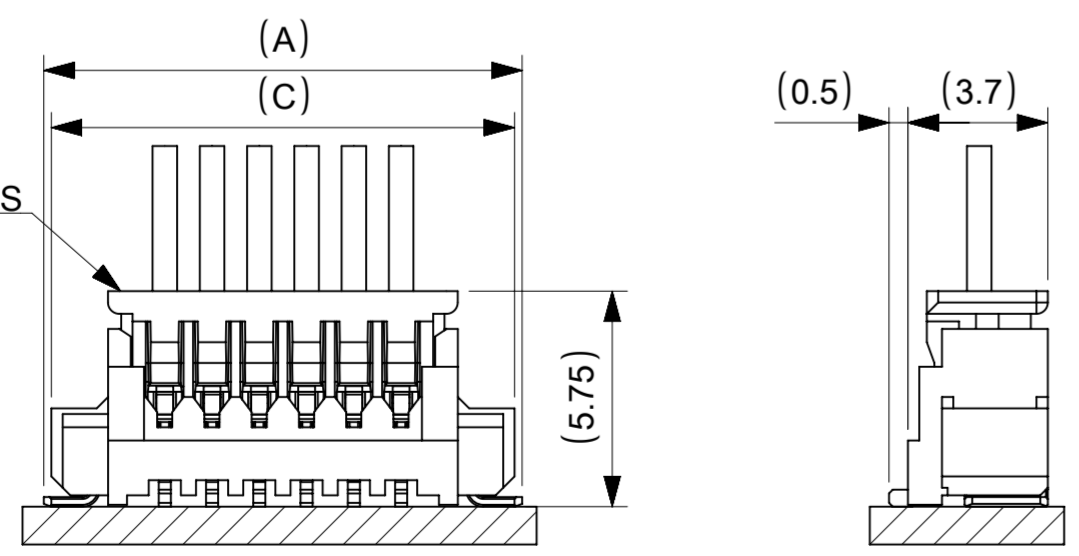


△ 推奨基板レイアウト (実装面側)

RECOMMENDED PCB LAYOUT : COMPONENT SIDE

(参考 : 基板厚 1.0 MILLIMETER, メタルマスク厚 : 0.15 MILLIMETER, マスク開口率:100%)
(REFERENCE : PCB THICKNESS 1.0 MILLIMETER, STENCIL THICKNESS: 0.15 MILLIMETER, APERTURE:100%)

嵌合相手 : 51021 シリーズ
MATE WITH : 51021 SERIES



嵌合図
MATED CONNECTORS

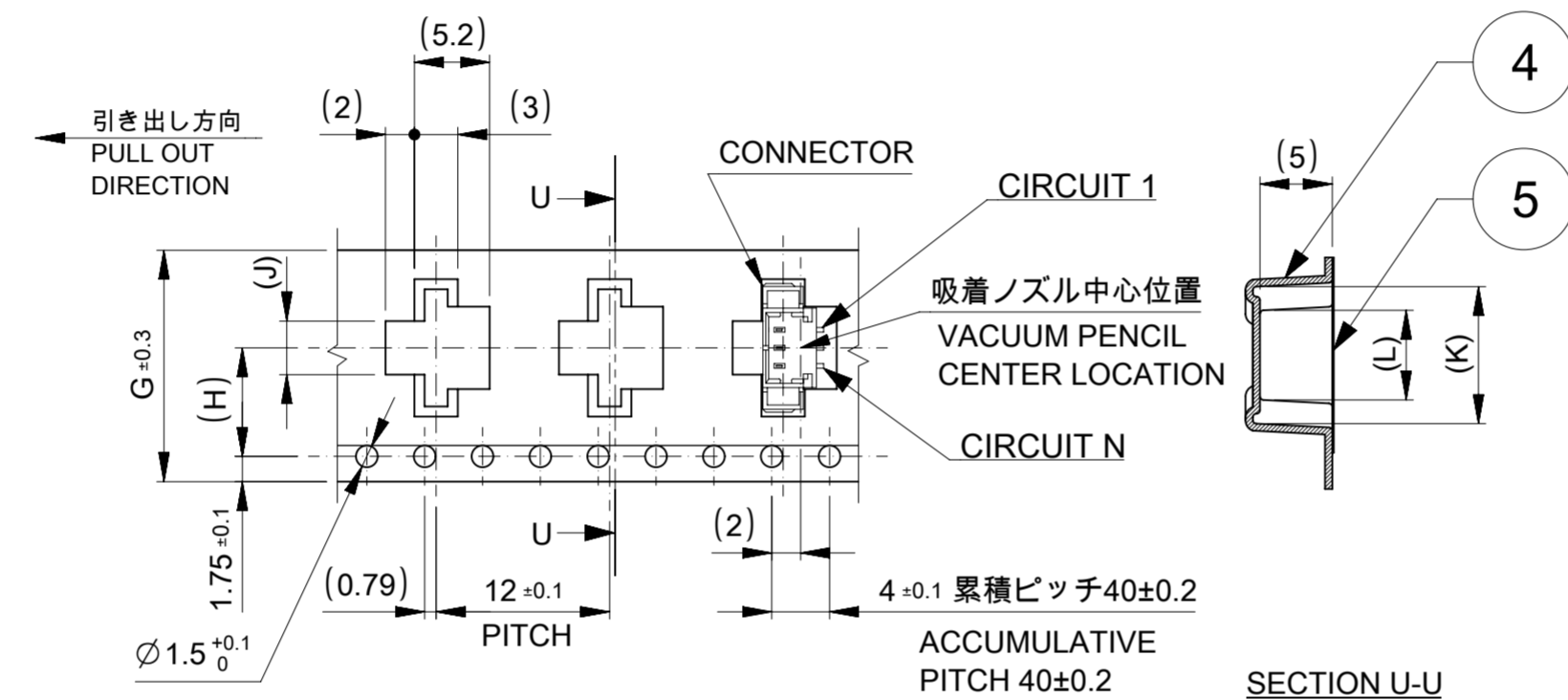
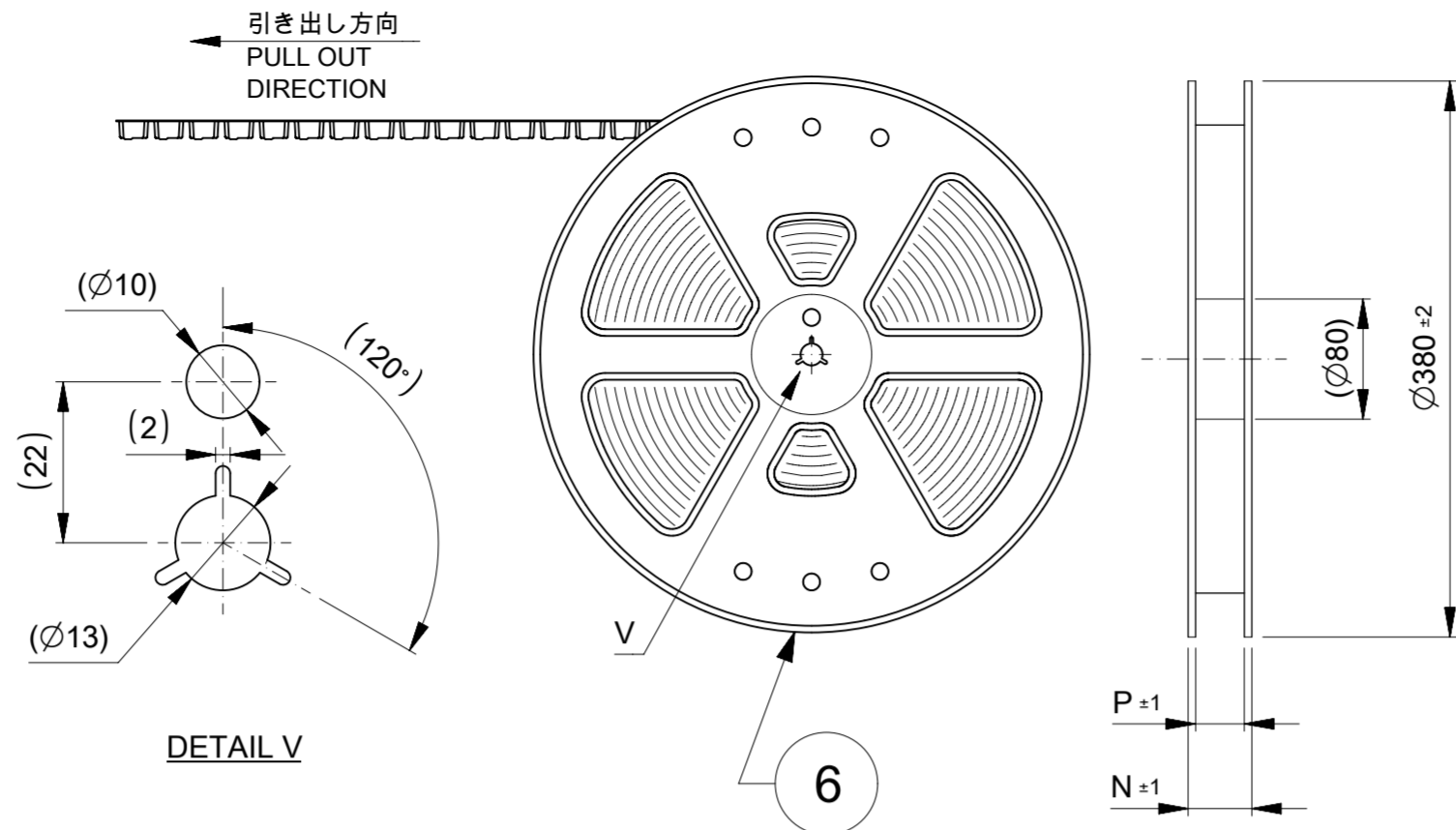
NOTES

- △9 製品輪郭線からパッドまでの寸法を示す。
DIMENSIONS FROM CONNECTOR OUTLINE TO PAD
- △10 製品の基板実装部以外の金属露出部と基板パターンとの干渉、および製品と基板上の突起物との干渉が生じないようにご配慮をお願いいたします。
PLEASE TAKE CARE NOT TO CAUSE INTERFERENCE BETWEEN EXPOSED METAL PARTS EXCLUDING MOUNTING PORTION OF PRODUCT AND PCB PATTERN, AND INTERFERENCE BETWEEN PRODUCT AND PROTRUSIONS ON PCB.

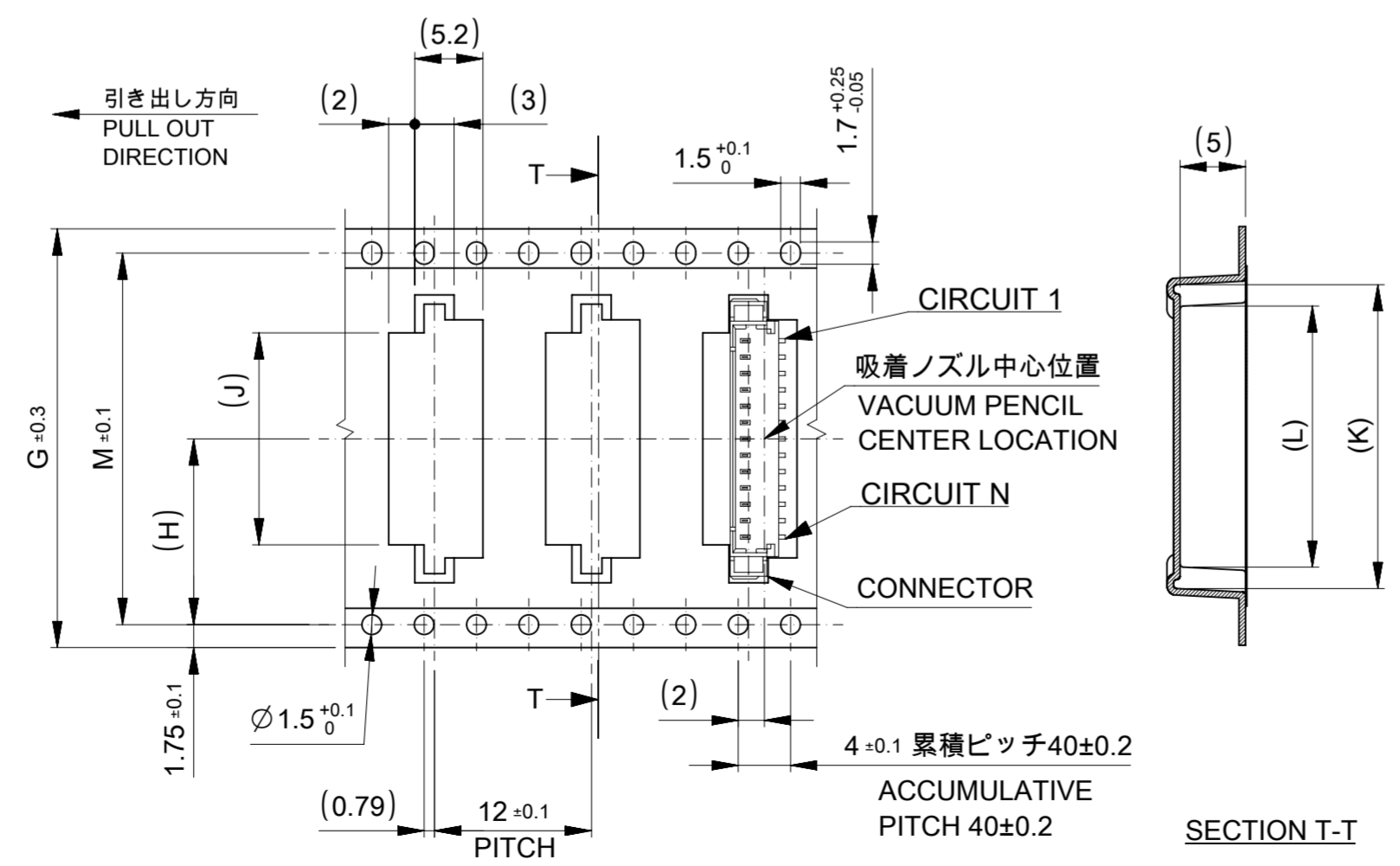
| | | | | | | |
|-------|-------|-------|-------|-------|-------|--------------------|
| 18.6 | 19.3 | 20.5 | 23.5 | 17.5 | 23.9 | 15 |
| 17.35 | 18.05 | 19.25 | 22.25 | 16.25 | 22.65 | 14 |
| 16.1 | 16.8 | 18 | 21 | 15 | 21.4 | 13 |
| 14.85 | 15.55 | 16.75 | 19.75 | 13.75 | 20.15 | 12 |
| 13.6 | 14.3 | 15.5 | 18.5 | 12.5 | 18.9 | 11 |
| 12.35 | 13.05 | 14.25 | 17.25 | 11.25 | 17.65 | 10 |
| 11.1 | 11.8 | 13 | 16 | 10 | 16.4 | 9 |
| 9.85 | 10.55 | 11.75 | 14.75 | 8.75 | 15.15 | 8 |
| 8.6 | 9.3 | 10.5 | 13.5 | 7.5 | 13.9 | 7 |
| 7.35 | 8.05 | 9.25 | 12.25 | 6.25 | 12.65 | 6 |
| 6.1 | 6.8 | 8 | 11 | 5 | 11.4 | 5 |
| 4.85 | 5.55 | 6.75 | 9.75 | 3.75 | 10.15 | 4 |
| 3.6 | 4.3 | 5.5 | 8.5 | 2.5 | 8.9 | 3 |
| 2.35 | 3.05 | 4.25 | 7.25 | 1.25 | 7.65 | 2 |
| F | E | D | C | B | A | 極数 CIRCUIT SIZE |

THIS DRAWING CONTAINS INFORMATION THAT IS PROPRIETARY TO MOLEX ELECTRONIC TECHNOLOGIES, LLC AND SHOULD NOT BE USED WITHOUT WRITTEN PERMISSION

| | | | | | | |
|--|------------------------|---------------------------|---|-----------------|----------|--------------|
| DIMENSION UNITS mm | SCALE NTS | CURRENT REV DESC: | molex | | | |
| GENERAL TOLERANCES (UNLESS SPECIFIED) | | | | | | |
| ANGULAR TOL ± 3.0° | | EC NO: 744677 | PICOBLADE 1.25 SMT VERTICAL TIN PLATING TYPE | | | |
| 4 PLACES ± 0.2 | | DRWN: QHE31 2022/06/07 | | | | |
| 3 PLACES ± 0.2 | | CHK'D: AIDA 2023/07/24 | PRODUCT CUSTOMER DRAWING | | | |
| 2 PLACES ± 0.2 | | APPR: MARAI 2023/07/24 | | | | |
| 1 PLACE ± 0.2 | | INITIAL REVISION: | DOCUMENT NUMBER | DOC TYPE | DOC PART | REVISION |
| 0 PLACES ± 0.2 | | DRWN: SOBARA01 2019/04/04 | 533980000-SD | PSD | 000 | D |
| | | APPR: AIDA 2019/10/30 | | | | |
| DRAFT WHERE APPLICABLE MUST REMAIN WITHIN DIMENSIONS | THIRD ANGLE PROJECTION | DRAWING | SERIES | MATERIAL NUMBER | CUSTOMER | SHEET NUMBER |
| | | A2-SIZE | 53398 | SEE CHART | GENERAL | 2 OF 4 |



16mm幅(2~3極用) および24mm幅(4~10極用)キャリアテープ
16mm (FOR 2-3 CIRCUIT) OR 24mm (FOR 4-10 CIRCUIT) WIDTH CARRIER TAPE



32mm幅(11~13極用) および44mm幅(13~15極用)キャリアテープ
32mm (FOR 11-13 CIRCUIT) OR 44mm (FOR 13-15 CIRCUIT) WIDTH CARRIER TAPE

NOTES

- 梱包数量 : 1400個/リール
NUMBER OF CONNECTOR : 1400PCS / REEL
- リードテープ長さ
LEAD TAPE LENGTH
400 MIN
トップテープリーダ部
TOP TAPE LEADER PART
25±10
引き出し方向
PULL OUT DIRECTION
部品挿入部
COMPONENT SUPPLIER
末端部 (空部)
TAIL PART (EMPTY)
160 MIN
トップテープ接着部(空エンボス)
TOP TAPE BONDED PART (EMPTY POCKET)
- 材料 : TABLE 2 参照
MATERIAL : REFER TO TABLE 2
- トップテープの剥離強度はIEC60286-3に準拠
TOP TAPE PELING FORCE IS DEFINED BY IEC60286-3.
- 本製品は乾燥剤入り、ハイバリア梱包仕様による納品となります。
THIS PRODUCT IS DELIVERED IN A HIGH BARRIER PACKAGE WITH DESICCANT.
- 梱包仕様書 : SPK-53398-002
PACKING SPECIFICATION : SPK-53398-002

TABLE 2

| 番号 NO. | 部品 PART | 材質 MATERIAL |
|-----------|-------------------------|---|
| ④ | キャリアテープ CARRIER TAPE | MXL生産分 : ポリプロピレン(PP) PROCEED BY MXL: POLYPROPYLENE(PP) MXK生産分 : ポリスチレン(PS) PROCEED BY MXK: POLYSTYRENE(PS) |
| ⑤ | トップテープ TOP TAPE | ポリエチレンテレフタレート(PET)、その他 POLYETHYLENE TEREPHTHALATE(PET), OTHER |
| ⑥ | リール REEL | ポリスチレン(PS) <リサイクル材を含む> POLYSTYRENE(PS) <RECYCLE MATERIAL CONTAINED > |

17. 発注番号
ORDER NUMBER
53398****

極数
CIRCUIT

| | | |
|-----------|-----------|----|
| 533981576 | 533981571 | 15 |
| 533981476 | 533981471 | 14 |
| 533981376 | 533981371 | 13 |
| 533981276 | 533981271 | 12 |
| 533981176 | 533981171 | 11 |
| 533981076 | 533981071 | 10 |
| 533980976 | 533980971 | 9 |
| 533980876 | 533980871 | 8 |
| 533980776 | 533980771 | 7 |
| 533980676 | 533980671 | 6 |
| 533980576 | 533980571 | 5 |
| 533980476 | 533980471 | 4 |
| 533980376 | 533980371 | 3 |
| 533980276 | 533980271 | 2 |

色 : 黒
COLOUR: BLACK
色 : ナチュラル(ベージュ)
COLOUR: NATURAL (BEIGE)
発注番号 ORDER NO.
梱包形態 : エンボス梱包
PACKAGING : EMBOSSED TAPE AND REEL

| | | | | |
|-----------------|----|--------------|------------|----------|
| DOCUMENT STATUS | P1 | RELEASE DATE | 2023/07/24 | 10:03:42 |
|-----------------|----|--------------|------------|----------|

THIS DRAWING CONTAINS INFORMATION THAT IS PROPRIETARY TO MOLEX ELECTRONIC TECHNOLOGIES, LLC AND SHOULD NOT BE USED WITHOUT WRITTEN PERMISSION

| DIMENSION UNITS | SCALE | CURRENT REV DESC: | molex | | | | |
|--|--------|------------------------|---|-----------------|-----------------|----------|--------------|
| mm | NTS | | PICOBLADE 1.25 SMT VERTICAL TIN PLATING TYPE | | | | |
| GENERAL TOLERANCES (UNLESS SPECIFIED) | | | | | | | |
| ANGULAR TOL | ± 3.0° | EC NO: 744677 | PRODUCT CUSTOMER DRAWING | | | | |
| 4 PLACES | ± 0.2 | DRWN: QHE31 | | | | | |
| 3 PLACES | ± 0.2 | CHK'D: AIDA | 2022/06/07 | DOCUMENT NUMBER | | | |
| 2 PLACES | ± 0.2 | APPR: MARAI | 2023/07/24 | | | | |
| 1 PLACE | ± 0.2 | INITIAL REVISION: | 2023/07/24 | 533980000-SD | | | |
| 0 PLACES | ± 0.2 | DRWN: SOBARA01 | 2019/04/04 | | | | |
| DRAFT WHERE APPLICABLE MUST REMAIN WITHIN DIMENSIONS | | THIRD ANGLE PROJECTION | DRAWING | SERIES | MATERIAL NUMBER | CUSTOMER | SHEET NUMBER |
| | | | A2-SIZE | 53398 | SEE CHART | GENERAL | 3 OF 4 |

△ 適合製品及び各種仕様書
 APPLICABLE PRODUCTS AND SPECIFICATIONS

| | | | | | |
|--|-----------------|--------------------------------------|-----------|---------------------------------------|-----------|
| 梱包仕様書 PACKING SPECIFICATION | | PART NUMBER 53398**71 / 53398**76 | | SPECIFICATION NUMBER SPK-53398-002 | |
| 適合ハウジング APPLICABLE HOUSING | | PART NUMBER 51021**00 | | | |
| 適合圧着端子 APPLICABLE TERMINAL | PLATING | TIN | | | |
| | PART NUMBER | 500798*00 | 500588*00 | 500798001 | 500588001 |
| | WIRE SIZE (AWG) | #26-28 | #28-32 | #26-28 | #28-32 |
| 製品仕様書 PRODUCT SPECIFICATION | | PS-51021-024 PS 001 | | 510211124-PS PS 000 | |
| アプリケーション仕様書 (取扱説明書) APPLICATION SPECIFICATION | | 510210000-AS PS 000 | | | |

| | | | | | | | | | | |
|---|--------|------------------------|--|------------|--------|---|----------|--------------|-----|---|
| THIS DRAWING CONTAINS INFORMATION THAT IS PROPRIETARY TO MOLEX ELECTRONIC TECHNOLOGIES, LLC AND SHOULD NOT BE USED WITHOUT WRITTEN PERMISSION | | | | | | | | | | |
| DIMENSION UNITS | SCALE | CURRENT REV DESC: | | | | molex | | | | |
| mm | NTS | | | | | | | | | |
| GENERAL TOLERANCES (UNLESS SPECIFIED) | | | | | | PICOBLADE 1.25 SMT VERTICAL TIN PLATING TYPE | | | | |
| ANGULAR TOL | ± 3.0° | EC NO: 744677 | | | | PRODUCT CUSTOMER DRAWING | | | | |
| 4 PLACES | ± 0.2 | DRWN: QHE31 | | 2022/06/07 | | | | | | |
| 3 PLACES | ± 0.2 | CHK'D: AIDA | | 2023/07/24 | | | | | | |
| 2 PLACES | ± 0.2 | APPR: MARAI | | 2023/07/24 | | | | | | |
| 1 PLACE | ± 0.2 | INITIAL REVISION: | | | | DOCUMENT NUMBER | | | | |
| 0 PLACES | ± 0.2 | DRWN: SOBARA01 | | 2019/04/04 | | 533980000-SD | | PSD | 000 | D |
| DRAFT WHERE APPLICABLE MUST REMAIN WITHIN DIMENSIONS | | THIRD ANGLE PROJECTION | | DRAWING | SERIES | MATERIAL NUMBER | CUSTOMER | SHEET NUMBER | | |
| | | | | A2-SIZE | 53398 | SEE CHART | GENERAL | 4 OF 4 | | |

Looking for pricing, stock, or lifecycle information?

Click below to explore more details on WIN SOURCE:

 [View 533980971 on WIN SOURCE](#)

 [Molex, LLC Information](#)

Optimize Your Supply Chain with WIN SOURCE Solutions

-  Global Sourcing Solution
-  Obsolete Management
-  Cost Control Management
-  Shortage Management
-  Alternative Solution
-  Excess Inventory Management