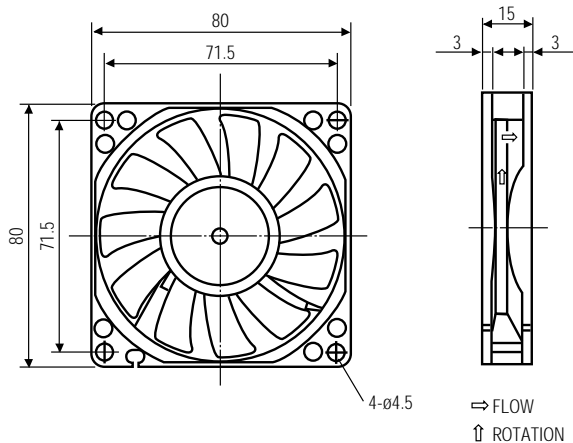




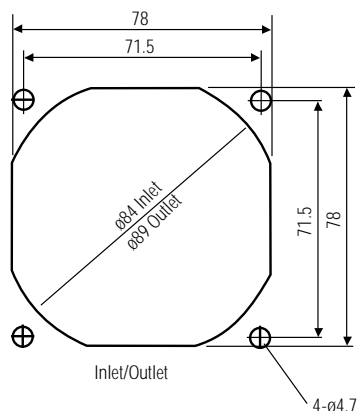
**THE DATASHEET OF  
FBA08T12L**



## FBA08T (80mm Thin)



### CUT OUT

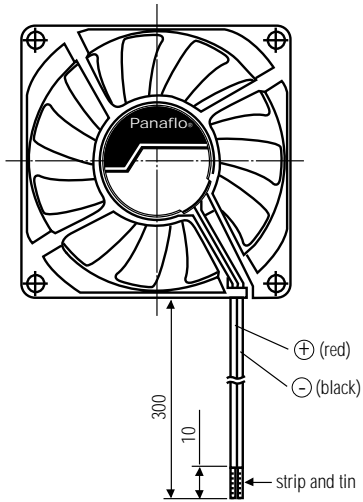


### Features

- Operating Temperature: -10°C — +70°C (65% RH)
- Storage Temperature: -40°C — +75°C (65% RH)
- Bearing Type: Hydro Wave
- Aerodynamic blade and venturi design
- Locked rotor protection and auto-start function
- Lower circuit noise by new IC
- Optional third wire lead signal (Locked rotor alarm sensor)

### Basic Data (nominal at room temperature)

|           | Rated Voltage (V) | Operating Voltage (V) | Rated Current (mA) | Rated Input (W) | Nominal Speed (r/min) | Maximum Air Flow |       | Maximum Air Pressure |      | Noise (dB-A) |
|-----------|-------------------|-----------------------|--------------------|-----------------|-----------------------|------------------|-------|----------------------|------|--------------|
|           |                   |                       |                    |                 |                       | (m3/min)         | (CFM) | (mmH2O)              | (Pa) |              |
| FBA08T12L | 12                | 7—13.8                | 79                 | 0.95            | 2000                  | 0.62             | 21.9  | 1.55                 | 15.2 | 23.0         |
| FBA08T12H | 12                | 7—13.8                | 200                | 2.40            | 3100                  | 0.95             | 33.5  | 3.20                 | 31.4 | 34.0         |
| FBA08T24L | 24                | 14—27.6               | 47                 | 1.13            | 2000                  | 0.62             | 21.9  | 1.55                 | 15.2 | 23.0         |
| FBA08T24H | 24                | 14—27.6               | 110                | 2.64            | 3100                  | 0.95             | 33.5  | 3.20                 | 31.4 | 34.0         |



All dimensions in mm.

#### Lead Wire

All lead wires are 325 mm in length  $\pm$  15 mm.

Housing and Fan Blade: Plastic (PET, PBT, ABS)

#### Size

80.0 x 80.0 x 15.0  
(3.15 x 3.15 x 0.59)

#### Weight

70 grams (2.47 ounces)

#### Case Quantity

100 per box

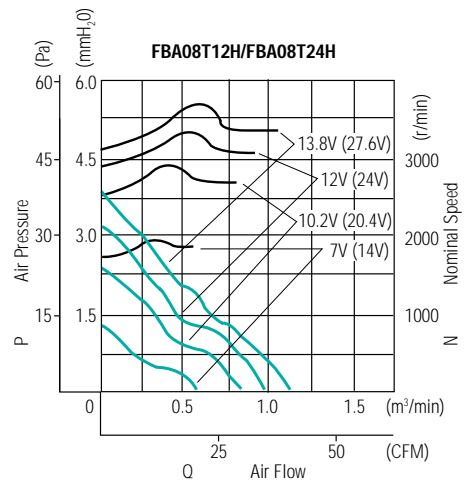
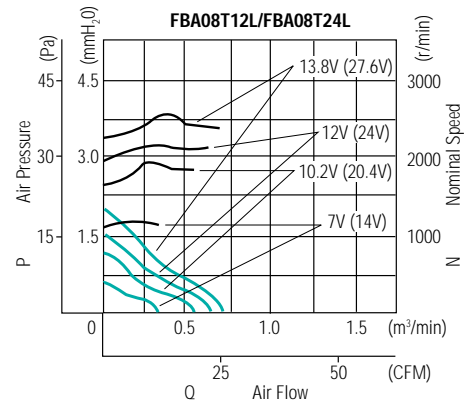
#### Conversion Factors

1 mm H<sub>2</sub>O = 9.8 PA

1 m<sup>3</sup>/min = 35.313 CFM

## FBA08T (80mm Thin)



### Characteristics



— P—Q  
— N—Q

## Looking for pricing, stock, or lifecycle information?

Click below to explore more details on WIN SOURCE:

-  [View FBA08T12L on WIN SOURCE](#)
-  [NMB Technologies Corporation Information](#)

## Optimize Your Supply Chain with WIN SOURCE Solutions

-  Global Sourcing Solution
-  Obsolete Management
-  Cost Control Management
-  Shortage Management
-  Alternative Solution
-  Excess Inventory Management