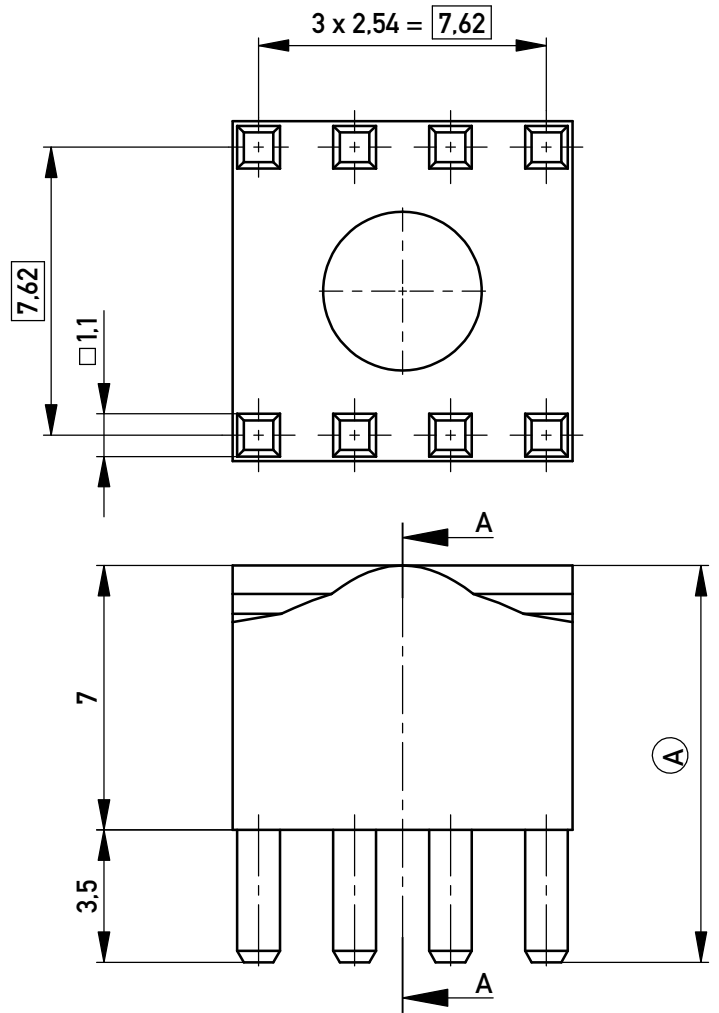
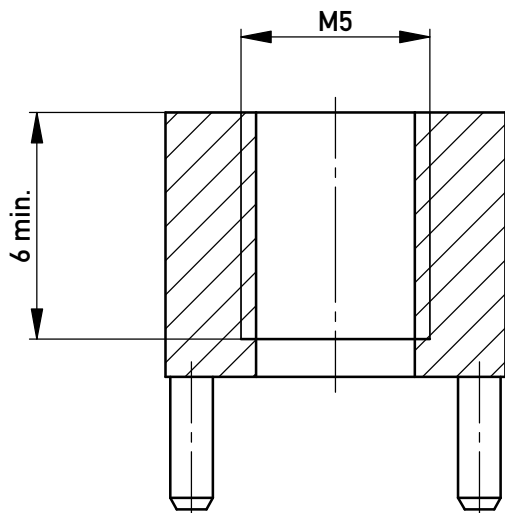
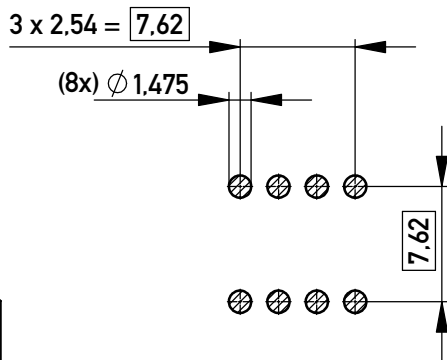


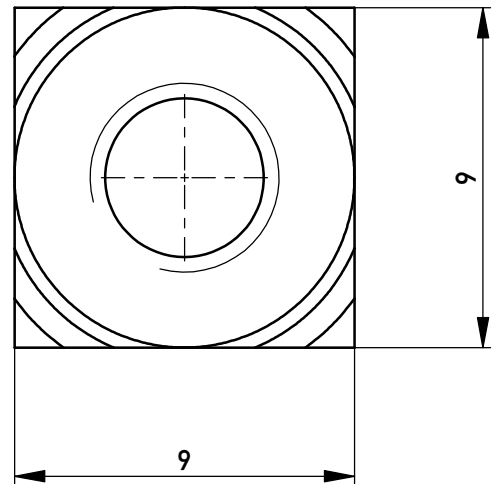
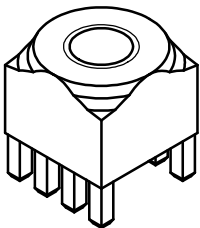
Schnitt A-A
cross section A-A



Layout - Vorschlag
PCB - Layout proposal
M 2:1
scale 2:1




M 2:1
scale 2:1



2-6µm Sn matt über 1-3µm Cu
2-6µm sn matt over 1-3µm cu

Ⓐ Oberfläche / plating

Copyright by ERNI Production GmbH & Co. KG
Proprietary notice pursuant to ISO 16016 to be observed.

Information:		Tolerances	Scale	5:1
All rights reserved. Only for Information. To ensure that this is the latest version of this drawing, please contact one of the ERNI companies before using.		All Dimensions in mm	Material:	CuZn39Pb3
Subject to modification without prior notice. Drawing will not be updated.		Designation		
 www.ERNI.com		PowerElement female thread two row population M5		
b	13.02.2018	225695		I
Index	Date	Class POWELM		A4



Looking for pricing, stock, or lifecycle information?

Click below to explore more details on WIN SOURCE:

 [View 225695](#) on WIN SOURCE

 [TE Connectivity](#) Information

Optimize Your Supply Chain with WIN SOURCE Solutions

-  Global Sourcing Solution
-  Obsolete Management
-  Cost Control Management
-  Shortage Management
-  Alternative Solution
-  Excess Inventory Management