

# 1AXXXX

PCB Fuse-clips for 1/4", 5.0 mm, 13/32" diameter fuses  
and ATC/ATM blade fuses



## **Product features**

- Fuse clips for 1/4", 5.0 mm and 13/32" (10 mm) diameter fuses
- Fuse clips for ATM/ATC fuses
- Variety of sizes, options, and materials

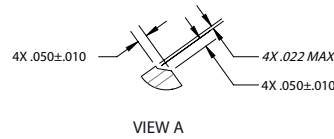
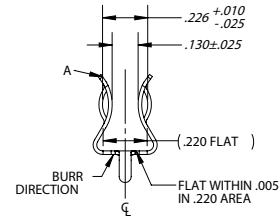
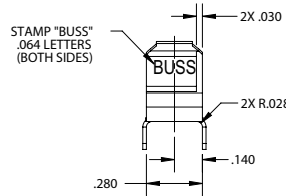
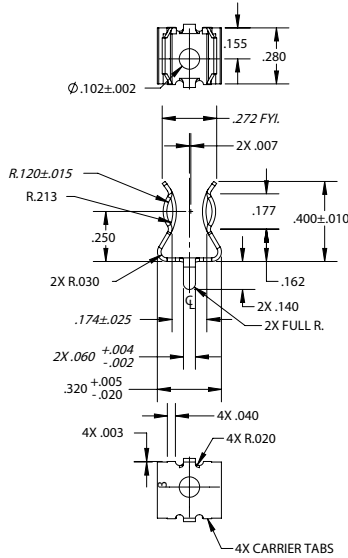


**Clips for 1/4" diameter fuses- inches**

**1A1907** (End stops, straight leads)

Part number	Clip material	Clip finish
BK-1A1907-02-R	Cartridge brass	Burnish
BK-1A1907-03-R	High performance copper	Bright tin
BK-1A1907-05	High performance copper	Silver
BK-1A1907-06-R	Cartridge brass	Bright tin

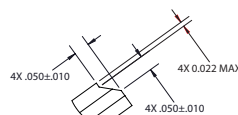
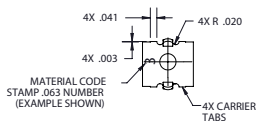
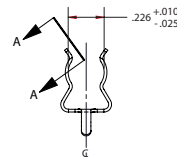
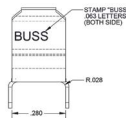
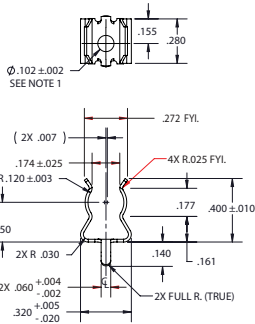
Parts packaged 1000 parts in a bag  
UL recognized file E14853



**1A3398** (Without end stops, straight leads)

Part number	Clip material	Clip finish
BK-1A3398-07-R	Cartridge brass	Bright tin

Parts packaged 1000 parts in a bag

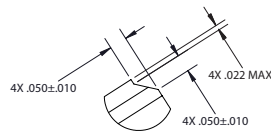
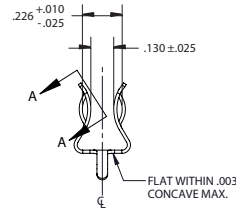
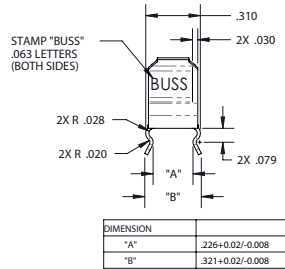
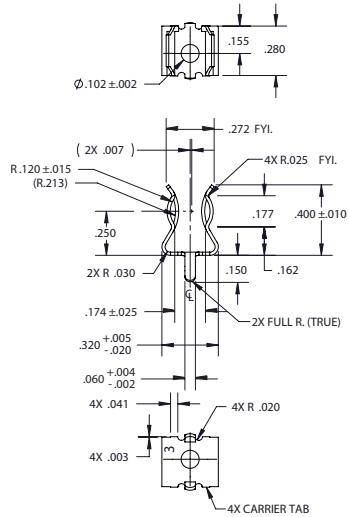


### Clips for 1/4" diameter fuses- inches

#### 1A4534 (End stops, angled-out leads)

Part number	Clip material	Clip finish
BK-1A4534-01-R	Copper clad steel	Bright tin
BK-1A4534-06-R	Cartridge brass	Bright tin

Parts packaged 1000 parts in a bag

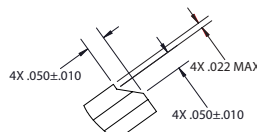
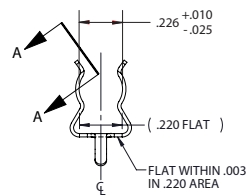
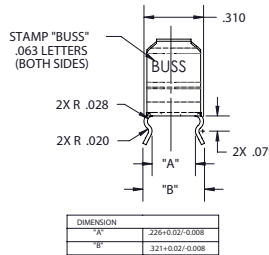
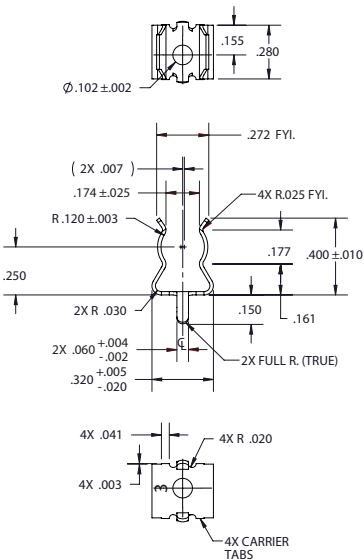


SECTION A-A  
SCALE 4:1

#### 1A4533 (Without end stops, angled-out leads)

Part number	Clip material	Clip finish
BK-1A4533-01-R	Copper clad steel	Bright tin
BK-1A4533-06-R	Cartridge brass	Bright tin

Parts packaged 1000 parts in a bag



SECTION A-A

**Clips for 5 mm diameter fuses- inches**

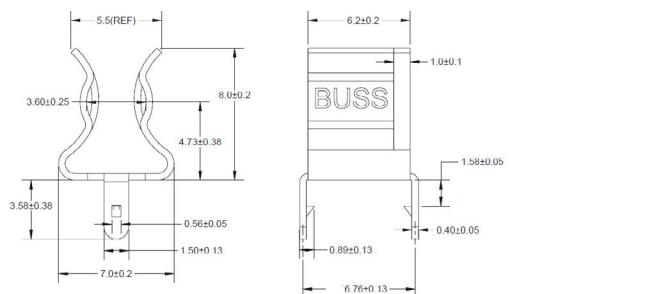
**1A5601**

Part number	Clip material	Clip finish	Current rating
BK-1A5601	Brass	Bright tin	7 A
BK-1A5601-01	Phosphor bronze	Bright tin	10 A

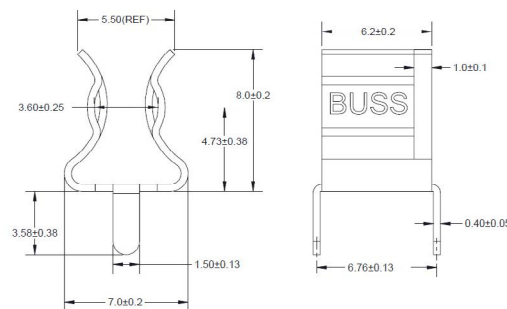
Parts packaged 1000 parts in a bag



**1A5601**



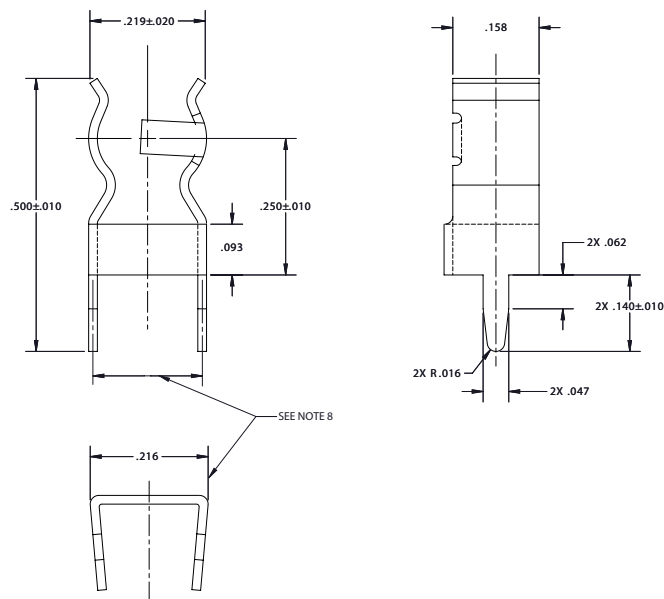
**1A5601-01**



**1A5602**

Part number	Clip material	Clip finish
BK-1A5602	Brass	Bright tin

Parts packaged 1000 parts in a bag

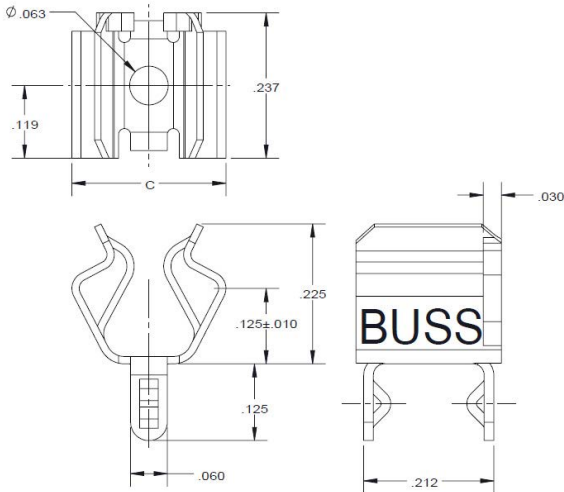


### Clips for 5 mm diameter fuses- inches

#### 1A3399 (With straight leads)

Part number	Clip material	Clip finish
BK-1A3399-01	High performance copper	Silver
BK-1A3399-04-R	High performance copper	Bright tin
BK-1A3399-10-R	High performance copper	Bright tin

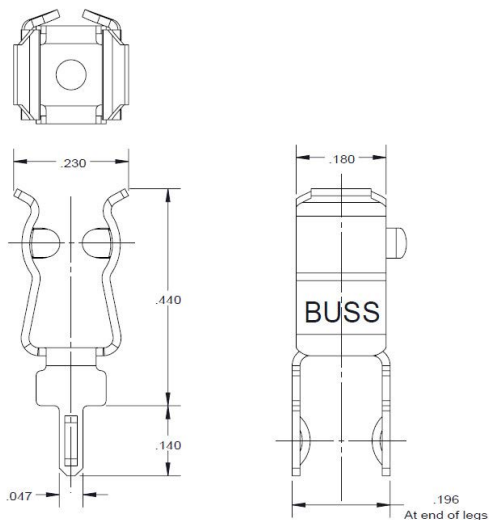
Parts packaged 1000 parts in a bag



#### 1A5018 (With straight leads)

Part number	Clip material	Clip finish
BK-1A5018-07	High performance copper	Silver
BK-1A5018-10-R	High performance copper	Bright tin

Parts packaged 1000 parts in a bag



**Clips for 13/32" 10 mm diameter fuses- mm**

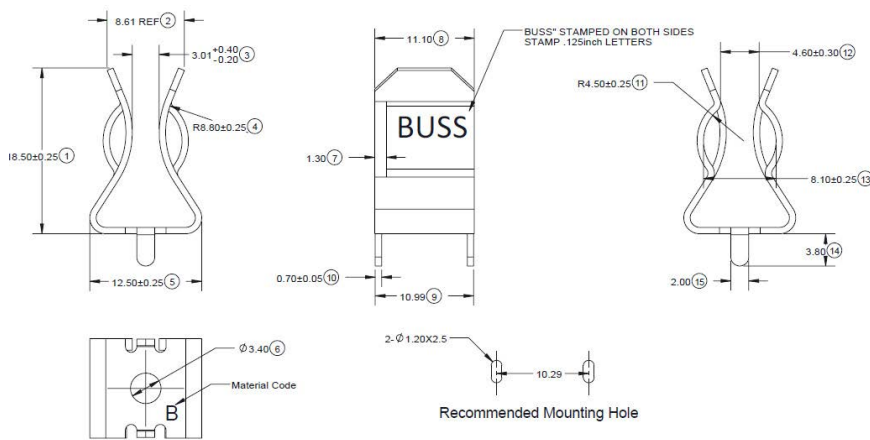
**1A3400** (with end stops, straight leads)

Part number	Clip material	Clip finish
BK-1A3400-09-R*	Brass	Bright tin
BK-1A3400-17-R	BeCu	Bright tin
BK-1A3400-12-R	Brass	Bright tin

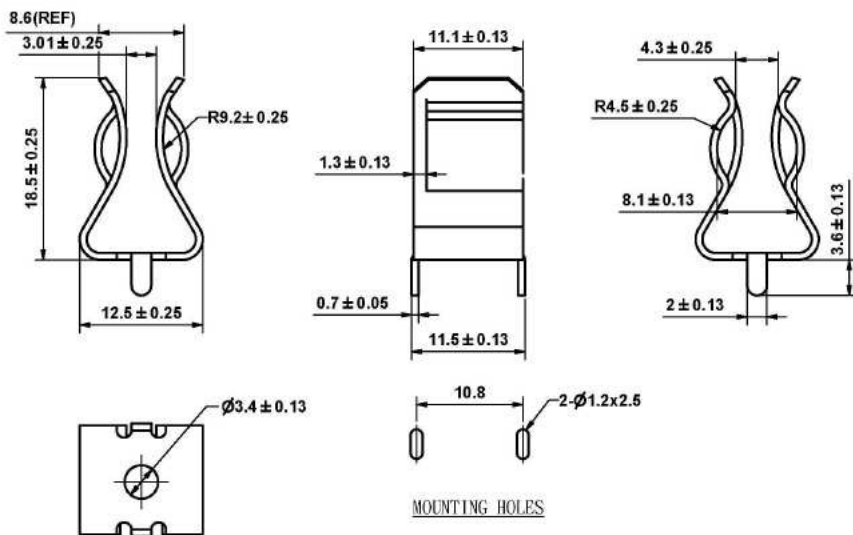
Parts packaged 1000 parts in a bag  
 \*=UL recognized file E14853



**1A3400-09-R/1A3400-17-R**



**1A3400-12**

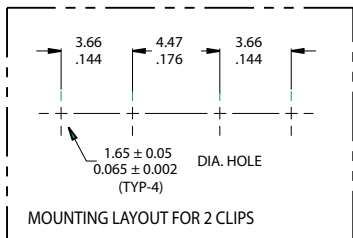
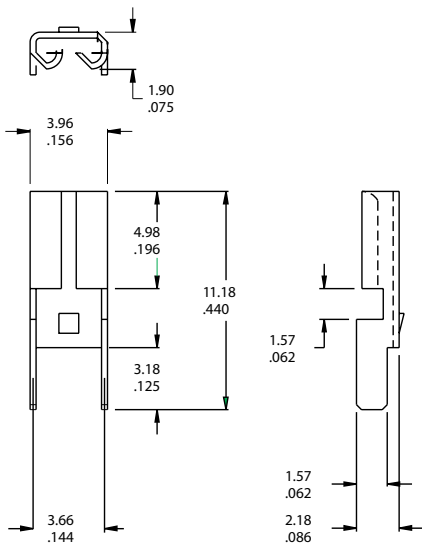


### Clips for ATC/ATM fuses

#### 1A5778 (ATM fuse, mm/inches)

Part number	Clip material	Clip finish
BK-1A5778	Brass	Nickel

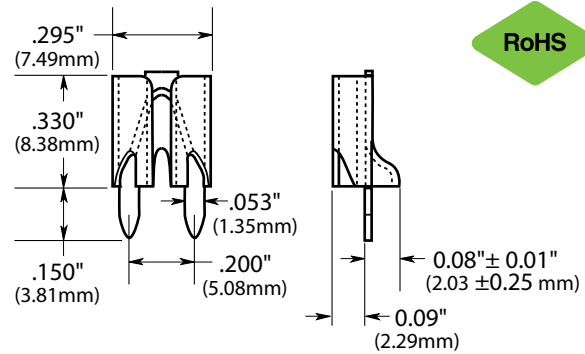
Parts packaged 1000 parts per carton



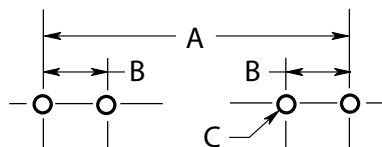
#### 1A5600 (ATC fuse, inches/mm)

Part number	Clip material	Clip finish
BK-1A5600	Cartridge brass	Matte tin

Parts packaged 1000 parts per carton



**Recommended pad layout --inches (mm)**



Part number	A Dimension					B Tabs	C 4 holes	Board thickness
	Fuse length 7/8" (22.2)	1" (25.4)	1-1/4" (31.8)	1-3/8" (34.93)	1-1/2" (38.1)			
1A3398-	1.00" (25.4)	1.125" (28.58)	1.375" (34.93)			0.295"-0.305" (7.49-7.75)	0.067"-0.070" (1.70-1.78)	0.093" (2.36)
1A1907-	1.00" (25.40)	1.125" (28.58)	1.375" (34.93)			0.295"-0.305" (7.49-7.75)	0.067"-0.070" (1.70-1.78)	0.093" (2.36)
1A1119-	1.00" (25.4)	1.125" (28.58)	1.375" (34.93)			0.295"-0.305" (7.49-7.75)	0.093"±0.002 (2.36±0.05)	0.062" to 0.125" (1.57 to 3.18)
1A1120-	1.00" (25.4)	1.125" (28.58)	1.375" (34.93)			0.295"-0.305" (7.49-7.75)	0.093"±0.002 (2.36±0.05)	0.062" to 0.125" (1.57 to 3.18)
1A3399-					0.875" (22.23)	0.200" (5.08)	0.067"-0.070" (1.70-1.78)	0.093" (2.36)
1A3400-				1.50" (38.1)	1.625" (41.28)	0.405" (10.29)	0.091"-0.095" (2.31-2.41)	0.125" (3.175)
1A4533-	1.00" (25.4)	1.125" (28.58)	1.375" (34.93)			0.300" (7.62)	0.067"-0.070" (1.70-1.78)	0.062" (15.75)
1A4534-	1.00" (25.4)	1.125" (28.58)	1.375" (34.93)			0.300" (7.62)	0.067"-0.070" (1.70-1.78)	0.062" (15.75)
1A5018-					0.820" (20.83)	0.180" (4.57)	0.053"-0.057" (1.35-1.45)	0.093" (2.36)
1A5600-						"0.200" (5.08)"	"0.062"±0.003" (1.57±0.077)"	0.125"max. (3.18)
1A5601-					0.820"±0.015"	0.266"	0.067"±0.003"	0.062"
1A5602-						"0.220" (5.588)"		0.125"max. (3.175)

Life Support Policy: Eaton does not authorize the use of any of its products for use in life support devices or systems without the express written approval of an officer of the Company. Life support systems are devices which support or sustain life, and whose failure to perform, when properly used in accordance with instructions for use provided in the labeling, can be reasonably expected to result in significant injury to the user.

Eaton reserves the right, without notice, to change design or construction of any products and to discontinue or limit distribution of any products. Eaton also reserves the right to change or update, without notice, any technical information contained in this bulletin.

**Eaton**  
**Electronics Division**  
1000 Eaton Boulevard  
Cleveland, OH 44122  
United States  
Eaton.com/electronics



© 2024 Eaton  
All Rights Reserved  
Printed in USA  
Publication No. 2131  
April 2024



Eaton is a registered trademark.  
All other trademarks are property of their respective owners.

Follow us on social media to get the latest product and support information.



## Looking for pricing, stock, or lifecycle information?

Click below to explore more details on WIN SOURCE:

-  [View BK/1A3399-10-R on WIN SOURCE](#)
-  [Eaton-Electronics Division Information](#)

## Optimize Your Supply Chain with WIN SOURCE Solutions

-  Global Sourcing Solution
-  Obsolete Management
-  Cost Control Management
-  Shortage Management
-  Alternative Solution
-  Excess Inventory Management