

# .250 (6.4) DIAMETER FUSE CLIPS



Refer to pages 48-51 for Fuse Clip Layout and Mounting Details

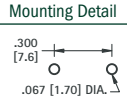
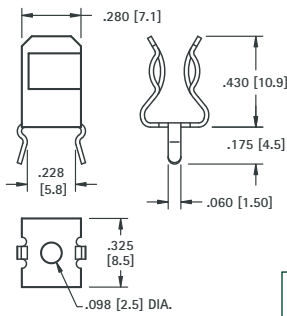
## 1AG, 3AG, 7AG, 8AG THRU HOLE MOUNT TYPES

### WITH SNAP-IN PC LEGS

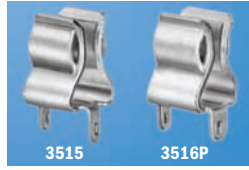


**MATERIAL:**  
.020 (.51) Brass, Tin Plate  
**UL Current Rating:** 15 Amps

**CAT. NO. 3513**

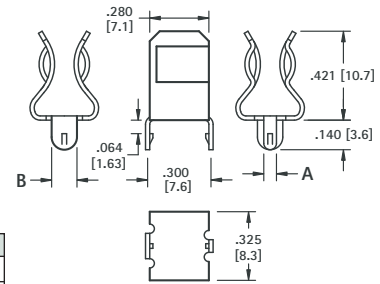


### WITH SNAP-IN PC LEGS



**MATERIAL:**  
.020 (.51) Brass, Tin Plate  
**UL Current Rating:** 15 Amps

CAT. NO.	A	B
3515	.060 (1.5)	.060 (1.5)
3515P	.060 (1.5)	.093 (2.4)
3516P	.060 (1.5)	.120 (3.0)



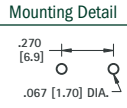
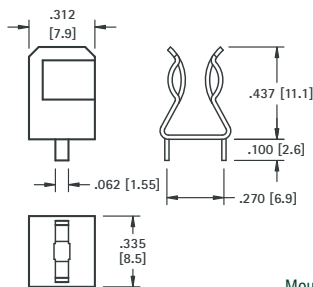
With or Without Orientation Legs

### WITH STRAIGHT PC LEGS



**MATERIAL:**  
.020 (.51) Brass, Tin Plate  
**UL Current Rating:** 15 Amps

**CAT. NO. 3530**

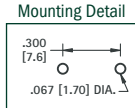
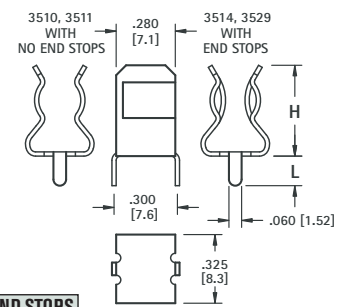


### WITH STRAIGHT PC LEGS



**MATERIAL:**  
.020 (.51) Brass, Tin Plate  
**UL Current Rating:** 15 Amps

CAT. NO.	H	L	END STOPS
3510	.421 (10.7)	.140 (3.6)	NO*
3529	.421 (10.7)	.140 (3.6)	YES
3511	.430 (10.9)	.250 (6.4)	NO*
3514	.430 (10.9)	.250 (6.4)	YES



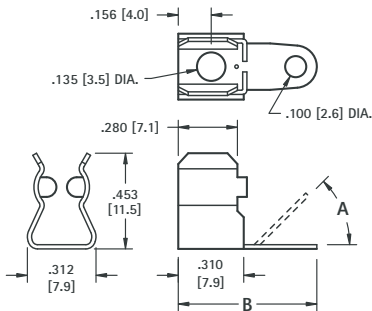
### WITH SOLDER LUG

## 1AG, 3AG, 7AG, 8AG RIVET & SURFACE MOUNT TYPES



**MATERIAL:**  
.020 (.51) Brass, Nickel Plate  
**UL Current Rating:** 15 Amps

CAT. NO.	A	B
3533	Flat	.656 (16.7)
3535	45°	.562 (14.3)

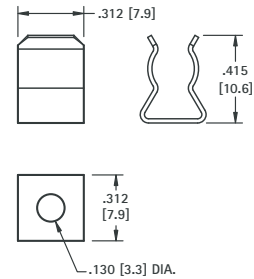


### LOW PROFILE



**MATERIAL:**  
.020 (.51) Brass, Nickel Plate  
**UL Current Rating:** 15 Amps

**CAT. NO. 3531** (Without End Stops)\*

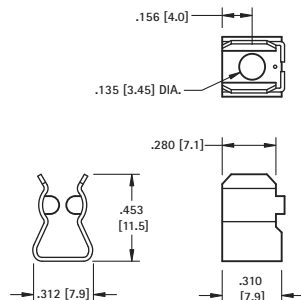


### WITHOUT LUG



**MATERIAL:**  
.020 (.51) Brass, Nickel Plate  
**UL Current Rating:** 15 Amps

**CAT. NO. 3570**

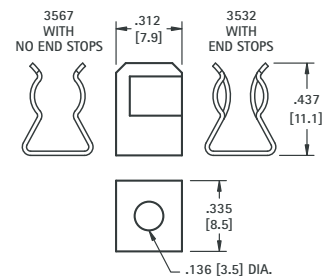


### WITH OR WITHOUT END STOPS



**MATERIAL:**  
.020 (.51) Brass, Nickel Plate  
**UL Current Rating:** 15 Amps


CAT. NO.	END STOPS
3532	YES
3567	NO*



\*Fuse clips without end stops are not UL recognized

## Looking for pricing, stock, or lifecycle information?

Click below to explore more details on WIN SOURCE:

-  [View 3531 on WIN SOURCE](#)
-  [Keystone Electronics](#) Information

## Optimize Your Supply Chain with WIN SOURCE Solutions

-  Global Sourcing Solution
-  Obsolete Management
-  Cost Control Management
-  Shortage Management
-  Alternative Solution
-  Excess Inventory Management