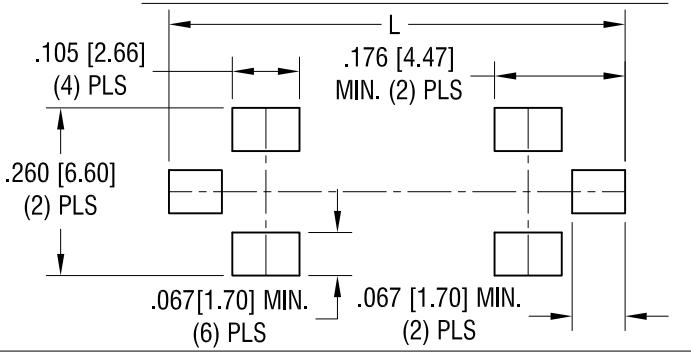
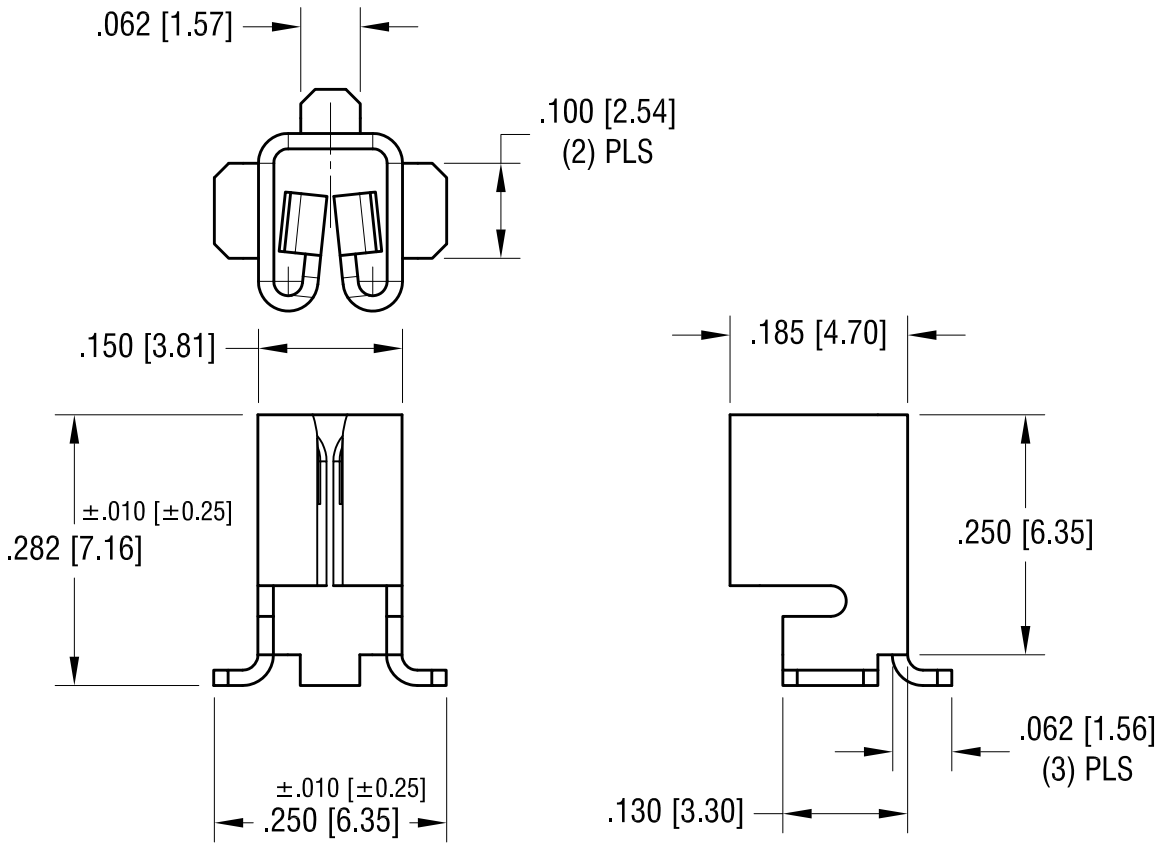


THIS DOCUMENT IS THE PROPERTY OF KEYSTONE ELECTRONICS CORP. AND SHALL NOT BE REPRODUCED, DISTRIBUTED OR USED AS A BASIS FOR MANUFACTURE WITHOUT PRIOR WRITTEN PERMISSION FROM KEYSTONE ELECTRONICS CORP.

MOUNTING LAYOUT FOR TWO CLIPS  
 L = .562 [14.27] FOR MINI FUSES  
 L = .750 [19.04] FOR STANDARD AND LOW PROFILE FUSES



ACTUAL SIZE



**KEY** FILE NUMBER: E354010

DATE	DESCRIPTION	REV.
12.15.15	CHANGE AS PER ECN 15-021	E
2.11.15	CHANGE AS PER ECN 15-021	D
4.09.14	CHANGE AS PER ECN 14-043	C
1.18.10	CHANGE AS PER ECN 10-004	B
10.06.09	CHANGE AS PER ECN 09-142	A

<b>KEYSTONE ELECTRONICS CORP.</b>			
www.keyelco.com • NEW HYDE PARK, NY 11040 • Tel (516) 328-7500			
PART NAME		SM UNIVERSAL AUTO FUSE CLIP	
MATERIAL		.016 [0.41] TH'K BRASS	
FINISH		DRN BY	DATE
TIN NICKEL PLATE		NT	5.06.09
		APP'D	SCALE
			5X
TOLERANCES	INCH [MM]	CODE	DWG NO.
DECIMAL	± .005 [± 0.13]	C	<b>3586</b>
ANGULAR	± 1°		
UNLESS OTHERWISE SPECIFIED			

## Looking for pricing, stock, or lifecycle information?

Click below to explore more details on WIN SOURCE:

 [View 3586KTR on WIN SOURCE](#)

 [Keystone Electronics Information](#)

## Optimize Your Supply Chain with WIN SOURCE Solutions

-  Global Sourcing Solution
-  Obsolete Management
-  Cost Control Management
-  Shortage Management
-  Alternative Solution
-  Excess Inventory Management