



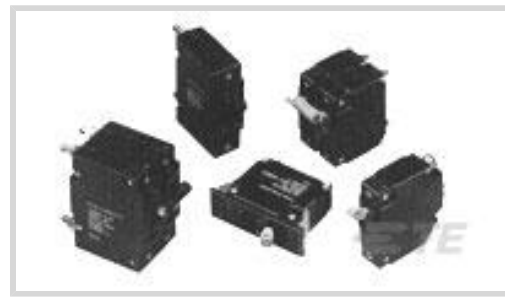
Potter & Brumfield | Potter & Brumfield W6

TE Internal #: 1-1393253-7

Magnetic Circuit Breaker, Series Trip, White Actuator, 240 VAC / 277 VAC / 415 VAC, 10 A, 2 Pole, Potter & Brumfield W6

[View on TE.com >](#)

Relays & Contactors > Circuit Breakers



Circuit Breaker Type: **Magnetic**

Circuit Function: **Series Trip**

Illuminated: **Without**

Actuator Color: **White**

Operating Voltage: **240 VAC, 277 VAC, 415 VAC**

## Features

### Product Type Features

Illumination Type	No Light
Actuator Type	Rocker, Toggle
Circuit Breaker Type	Magnetic
Illuminated	Without

### Configuration Features

	1.5 x 1.66 in
Circuit Function	Series Trip
Number of Poles	2

### Electrical Characteristics

Operating Voltage	240 VAC, 277 VAC, 415 VAC
Current Rating	10 A
Interrupt Capacity	5000A @ 277VAC

### Body Features

Actuator Color	White
----------------	-------

### Contact Features

Trip Time at 200%	9 – 100 seconds
-------------------	-----------------

### Termination Features

Terminal Configuration	6.35 [.25] Straight Quick Connect Tab
------------------------	---------------------------------------



**Mechanical Attachment**

Mounting Options	6-32 Mounting Threads
------------------	-----------------------

**Dimensions**

	.047 – .11 in
Product Height	50.8 mm[2 in]

**Identification Marking**

Stamped Marking Type	International I/O
----------------------	-------------------

**Product Compliance**

[For compliance documentation, visit the product page on TE.com>](#)

EU RoHS Directive 2011/65/EU	Compliant with Exemptions
EU ELV Directive 2000/53/EC	Not Yet Reviewed
China RoHS 2 Directive MIIT Order No 32, 2016	Restricted Materials Above Threshold
EU REACH Regulation (EC) No. 1907/2006	Current ECHA Candidate List: JUNE 2025 (250) Candidate List Declared Against: JAN 2025 (247) SVHC > Threshold: Cadmium oxide (10% in 17874790769) <b>Article Safe Usage Statements:</b> Use personal protective equipment as required. Do not eat, drink or smoke when using this product. Recycle if possible and dispose of the article by following all applicable governmental regulations relevant to your geographic location.
Halogen Content	Not Low Halogen - contains Br or Cl > 900 ppm.
Solder Process Capability	Not applicable for solder process capability

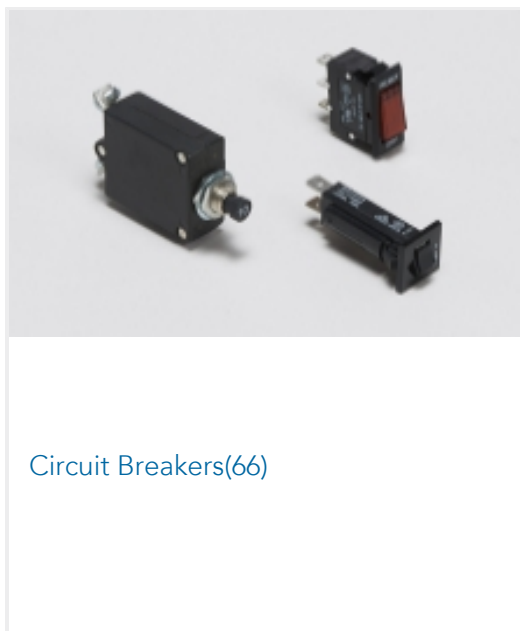
Product Compliance Disclaimer

This information is provided based on reasonable inquiry of our suppliers and represents our current actual knowledge based on the information they provided. This information is subject to change. The part numbers that TE has identified as EU RoHS compliant have a maximum concentration of 0.1% by weight in homogenous materials for lead, hexavalent chromium, mercury, PBB, PBDE, DBP, BBP, DEHP, DIBP, and 0.01% for cadmium, or qualify for an exemption to these limits as defined in the Annexes of Directive 2011/65/EU (RoHS2). Finished electrical and electronic equipment products will be CE marked as required by Directive 2011/65/EU. Components may not be CE marked. Additionally, the part numbers that TE has identified as EU ELV compliant have a maximum concentration of 0.1% by weight in homogenous materials for lead, hexavalent chromium, and mercury, and 0.01% for cadmium, or qualify for an exemption to these limits as defined in the Annexes of Directive 2000/53/EC (ELV). Regarding the REACH Regulation, the information TE provides on SVHC in articles for this part number is based on the latest European Chemicals Agency (ECHA) 'Guidance on requirements for substances in articles' posted at this URL: <https://echa.europa.eu/guidance-documents/guidance-on-reach>

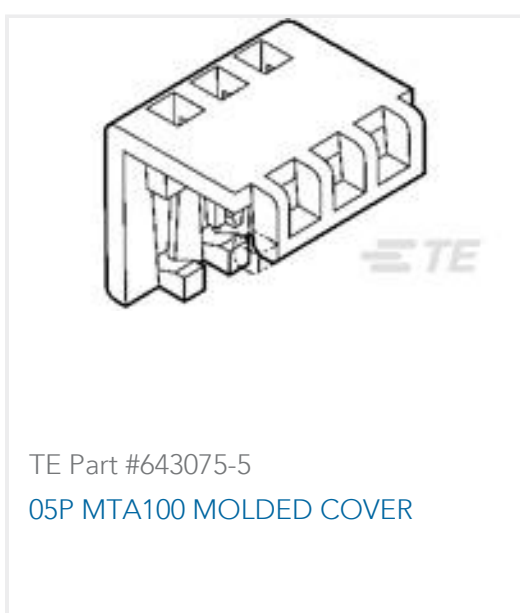
**Compatible Parts**



### Also in the Series | Potter & Brumfield W6



### Customers Also Bought





## Documents

### CAD Files

#### 3D PDF

3D

Customer View Model

[ENG\\_CVM\\_CVM\\_1-1393253-7\\_D.2d\\_dxf.zip](#)

English

Customer View Model

[ENG\\_CVM\\_CVM\\_1-1393253-7\\_D.3d\\_igs.zip](#)

English

Customer View Model

[ENG\\_CVM\\_CVM\\_1-1393253-7\\_D.3d\\_stp.zip](#)

English

Customer View Model

[ENG\\_CVM\\_1-1393253-7\\_1106.3d\\_igs.zip](#)

English

Customer View Model

[ENG\\_CVM\\_1-1393253-7\\_1106.3d\\_stp.zip](#)

English

Customer View Model

[ENG\\_CVM\\_1-1393253-7\\_1106.2d\\_dxf.zip](#)

English

#### 3D PDF

English

By downloading the CAD file I accept and agree to the [Terms and Conditions](#) of use.

### Datasheets & Catalog Pages

[W6/W9 Magnetic Hydraulic Circuit Breaker](#)

English

### Agency Approvals

[UL](#)

English

Looking for pricing, stock, or lifecycle information?

Click below to explore more details on WIN SOURCE:

[View W68-X2Q110-10 on WIN SOURCE](#)

[TE Connectivity Information](#)

### Optimize Your Supply Chain with WIN SOURCE Solutions

- ✓ Global Sourcing Solution
- ✓ Obsolete Management
- ✓ Cost Control Management
- ✓ Shortage Management
- ✓ Alternative Solution
- ✓ Excess Inventory Management