

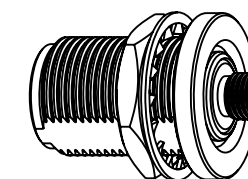
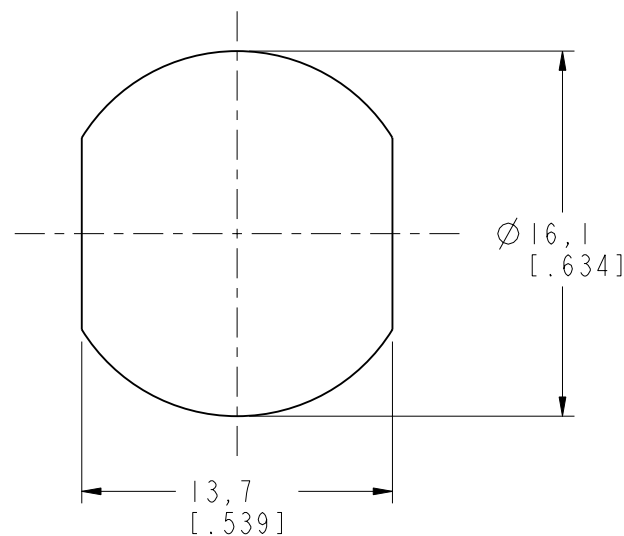
NOTES:

1. MATERIAL AND FINISH (PLATING THICKNESS IN MICRO-INCHES):
 BODY - BRASS, NICKEL PLATING
 CONTACT - BERYLLIUM COPPER, GOLD PLATING
 INSULATOR - PTFE, NATURAL
2. ELECTRICAL:
 A. IMPEDANCE: 50 OHM
 B. DIELECTRIC WITHSTANDING VOLTAGE: 1000 VRMS. MIN.
3. MECHANICAL:
 A. DURABILITY: 500 CYCLES MIN.
 B. TEMPERATURE RANGE: -65°C TO +165°C
 C. SEALING REQUIREMENT: IP68 MUST WITHSTAND THE WATER PRESSURE AT THE DEPTH OF 1M FOR ONE HOUR AT 15 PSI WITHOUT ANY SIGNS OF LEAKAGE.
4. MAX. PANEL THICKNESS= 6.8mm

THIRD ANGLE PROJ.

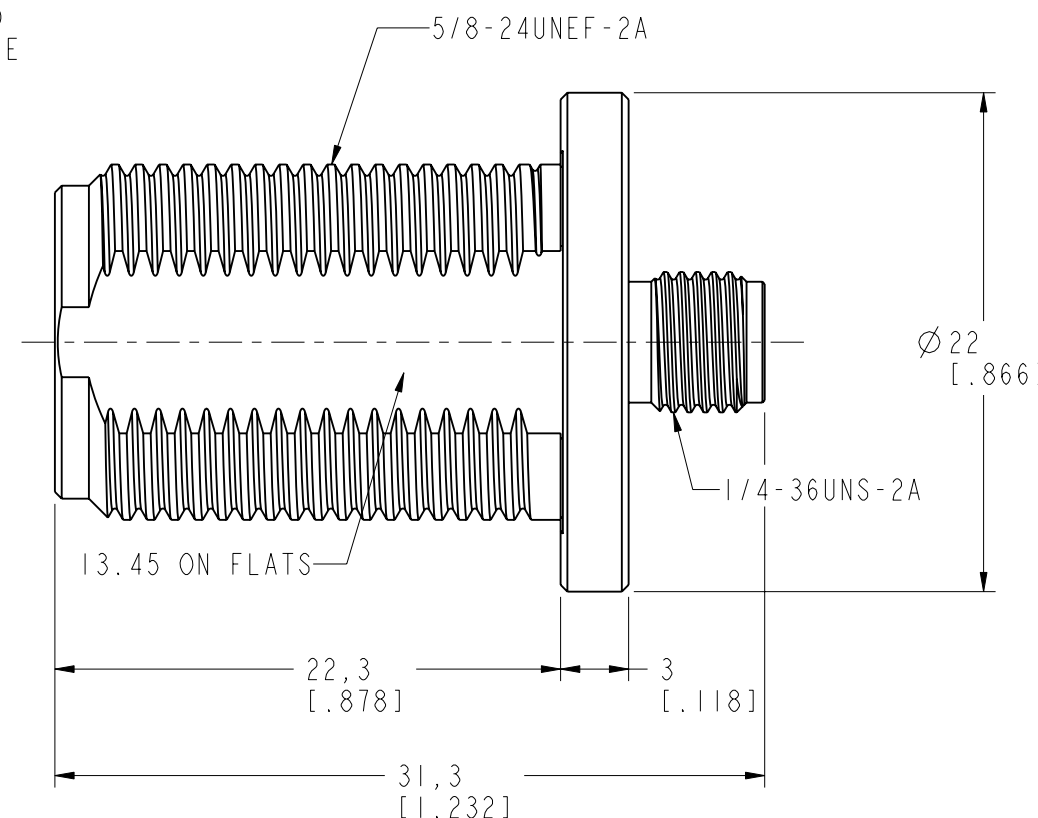
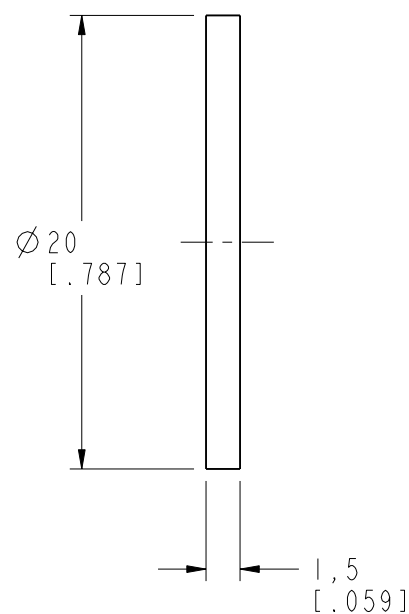
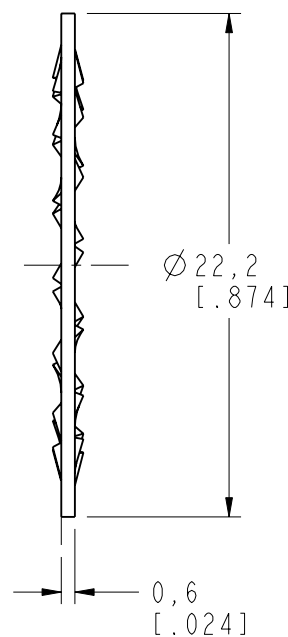
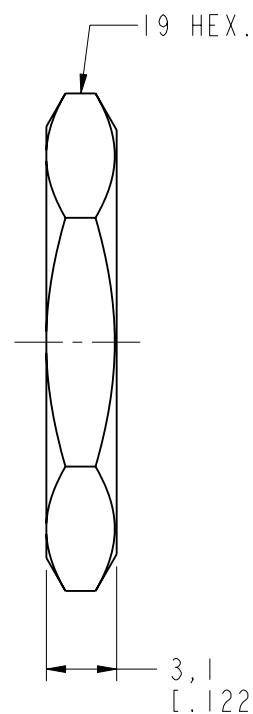
REVISIONS

REV	DESCRIPTION	DATE	ECO	APPR
A	RELEASE TO MFG.	22-Jan-13		JJ



SCALE 1.000

RECOMMENDED MOUNTING HOLE



CUSTOMER OUTLINE DRAWING
 ALL OTHER SHEETS ARE FOR INTERNAL USE ONLY

UNLESS OTHERWISE SPECIFIED, DIMENSIONS ARE IN METRIC AND TOLERANCES ARE: <0.5mm ±0.05mm 0.5 - 6mm ±0.1mm 6 - 30mm ±0.2mm 30 - 120mm ±0.3mm ANGLES ±1°	MATERIAL	DRAWN J.JI	DATE 25-Jan-13	TITLE N FEMALE TO SMA FEMALE BULKHEAD ADAPTOR (IP 68)	Amphenol RF Danbury CT USA, Tainan, Taiwan, Shenzhen, China www.amphenolrf.com
	NOTICE - These drawings, specifications, or other data (1) are, and remain the property of Amphenol corp. (2) must be returned upon request; and (3) are confidential and not to be disclosed to any person other than those to whom they are given by Amphenol Corp. the finishing of these drawings, specifications, or other data by Amphenol Corp., or to any other person to anyone for any purpose is not to be regarded by implication or otherwise in any manner licensing, granting rights to permitting such holder or any other person to manufacture, use or sell any product, process or design, patented or otherwise, that may in any way be related to or disclosed by said drawings, specifications, or other data.	REFERENCE CONNEX P/N: 242125-10	ENGINEER S.LI		
	FINISH	APPROVED H.S	DATE 25-Jan-13	SCALE: 3.0:1.0 SHEET 2 OF 2	ITEM NO. 03F-11F12-NA-5-F
		CAD FILE I:\ADAPTOR\NF-SMAF12-NT3G-50		DWG SIZE B	REV A
					PART NO.

Looking for pricing, stock, or lifecycle information?

Click below to explore more details on WIN SOURCE:

[View 242125-10 on WIN SOURCE](#)

[Amphenol Information](#)

Optimize Your Supply Chain with WIN SOURCE Solutions

- ✓ Global Sourcing Solution
- ✓ Obsolete Management
- ✓ Cost Control Management
- ✓ Shortage Management
- ✓ Alternative Solution
- ✓ Excess Inventory Management