

PRODUCT NUMBER

20020327-XXXXXXLF

20020327-

PITCH

C: 3.50 mm  
D: 3.81 mm

## PROPERTY TABLE

FCI SERIES NAME	26-350	26-381
PITCH (mm)	3.50	3.81
VOLTAGE RATING (VAC)	300	300
CURRENT RATING (A)	10	10
APPLICABLE WIRE RANGE (AWG)	1-WIRE	16~24
	2-WIRE	20
WIRE CROSS SECTION (mm <sup>2</sup> )	SOLID	1.5
	STRANDED	0.5
OPENING CONTACT HOUSING(mm <sup>2</sup> )	1.0	1.0
WIRE STRIP LENGTH(mm)	0.2	0.2
TORQUE +/-10% (N-m/Lb-in)	1.6x1.6	1.6x1.6
SCREW	5~6	5~6
WITHSTANDING VOLTAGE (kV)	0.19/1.7	0.19/1.7
OPERATING TEMP. (°C)	M2x0.4	M2x0.4
SOLDERING TEMP. (°C)	1.6	1.6
POLES AVAILABLE	-40~+115	-40~+115
SAFETY CERTIFICATE	250±10	250±10
	(5 sec.)	(5 sec.)
	02~24	02~24



POLES

02: 2 POLES  
03: 3 POLES  
04: 4 POLES

24: 24 POLES

HOUSING CODE

CODE	COLOR	AVAILABILITY
1	GREEN(RAL 6018/T)	STANDARD
2	BLACK	ON REQUEST ONLY
3	GREY(RAL 7004/P)	ON REQUEST ONLY
4	BLUE(RAL 5015/A)	ON REQUEST ONLY

## NOTES:

- MATERIALS  
1-1 HOUSING  
1-2 SCREW  
1-3 CLAMP  
1-4 TERMINATION  
2. PRODUCTION  
3. BOXED PACK  
DETAILED P  
4. FCI SAFETY  
PRODUCT S  
5. THE PRODU  
UNION DIREC  
GS-22-006  
6. RECOMMEND

mat'l. code

itr	ecn	no	dr	date	surface	tolerances unless
A	1009-0203	BF	062509		ASME Y14.5	
B	T09-1148	BF	111709		angles	
C	T09-1152	BF	112609		X±1°	
D	T10-0042	WL	030310		dr	
E	T10-0109	WL	070710		enfr	
F	T10-0159	WL	100410		chr	
G	T10-0187	WL	121410		appd	
sheet	revision	G	G	G	JOSEPH HS	
index	sheet	1	2	3		

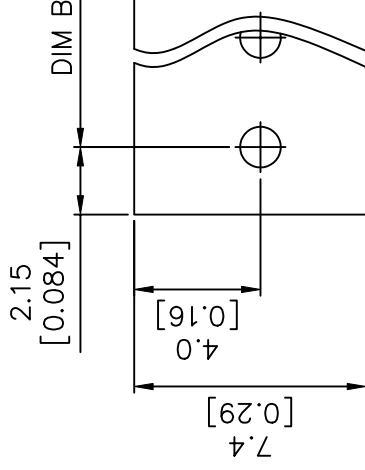
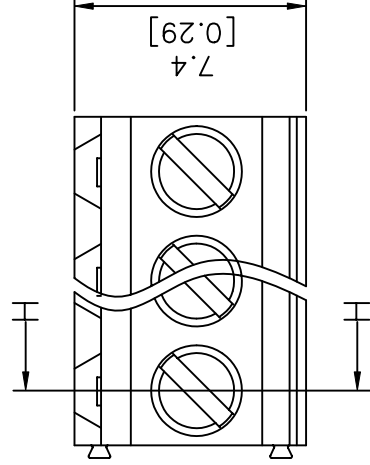
form: A4mmXLc

1 |

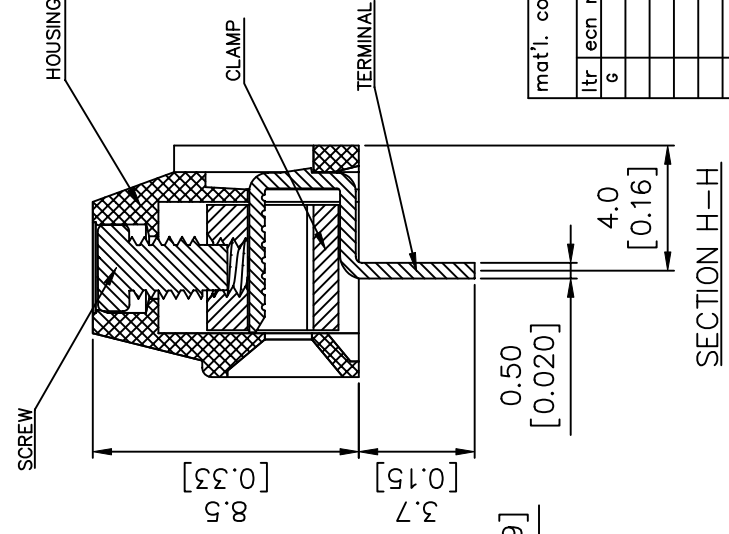
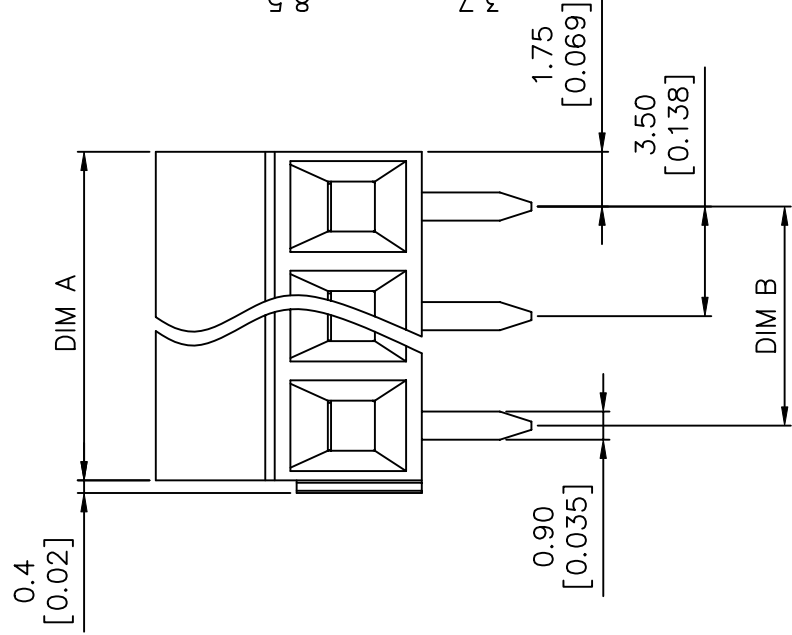
2

PDM: Rev:0

PRODUCT NUMBER	SERIES NAME	PITCH
20020327-CXXXXXXLF	26-350	3.50 mm



P.C.B. LAYO



SECTION H-H

A

B

form: A4mmXLC

1 |

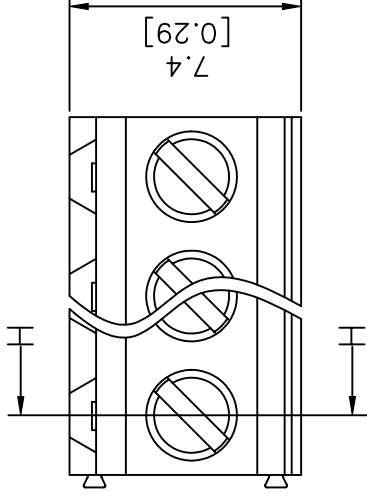
2

PDM: Rev: C

N =	
Dim	
Dim	
	2
	7
	13
	17

mat'l. code	tr	ecn no	dr	date	surface	tc
G					ASME Y14.5	A
					tolerances unless	
					angles	X
					X±1°	X.X
					dr	BEER FU
					engr	BEER FU
					chr	GARY HSEI
					appd	JOSEPH HS
sheet	revision					
index	sheet					

PRODUCT NUMBER	SERIES NAME	PITCH
20020327-DXXXXXXLF	26-381	3.81 mm

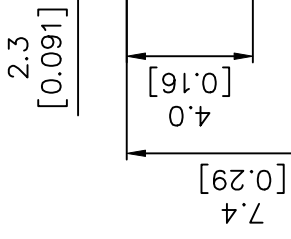


0.4  
[0.02]

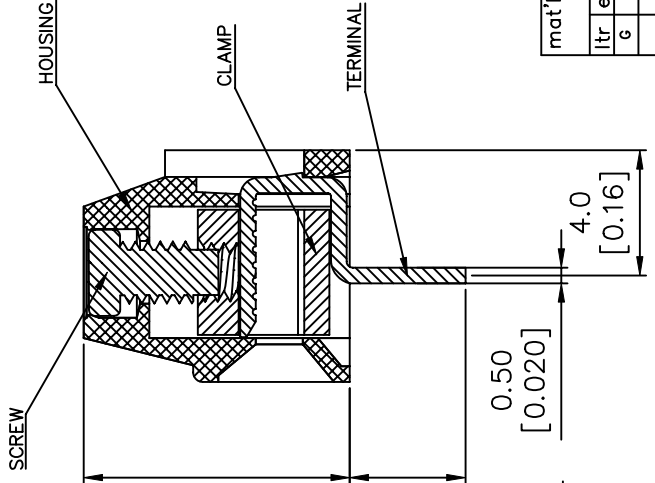
DIM A

A

P.C.B. I



DIM



SEC H-H

B

N =

Dim	2	7	13	17
Dim				

mat'l. code	tr	ecn no	dr	date	surface	tc
G					ASME Y14.5	A
					tolerances unless	
					angles	X
					X±1°	X.X
					dr	BEER FU
					enfr	BEER FU
					chr	GARY HSIEN
					appd	JOSEPH HS
sheet	revision					
index	sheet					

## Looking for pricing, stock, or lifecycle information?

Click below to explore more details on WIN SOURCE:

- ⊖ [View 20020327-D051B01LF on WIN SOURCE](#)
- ⊖ [Amphenol Information](#)

## Optimize Your Supply Chain with WIN SOURCE Solutions

- ✓ Global Sourcing Solution
- ✓ Obsolete Management
- ✓ Cost Control Management
- ✓ Shortage Management
- ✓ Alternative Solution
- ✓ Excess Inventory Management