

# High Frequency Ceramic Solutions

## 862 - 928MHz, 2.4 - 2.5GHz Integrated Impedance-matched Balun Filter for Texas Instruments CC1352R and CC1352P P/N: 0900PC15A0036

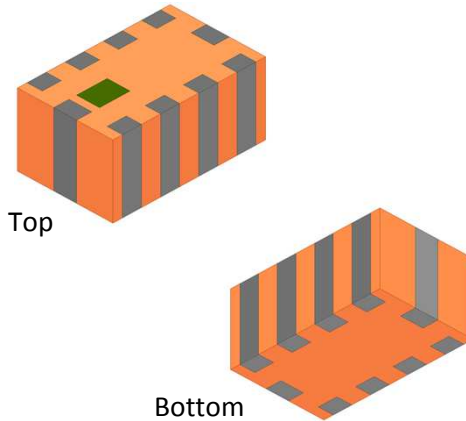
Detail Specification: 5/12/2021

Page 1 of 6

Do you need a small sub-GHz or 2.4GHz antenna? Go to: <https://www.johansontechnology.com/antennas>

### General Specifications

<b>Part Number</b>	0900PC15A0036	
<b>Frequency (MHz)</b>	862 - 928	2400 - 2500
<b>Insertion Loss (dB)</b>	1.8 typ (2.0 max.)	1.3 typ (1.6 max.)
<b>Return Loss (dB)</b>	14 typ. (10 min.)	14 typ. (10 min.)
<b>Phase Balance (deg)</b>	180±15	180±15
<b>Amplitude Difference (dB)</b>	0.8 typ. (1.5 max.)	1.0 typ. (2.0 max.)
<b>Attenuation (dB @MHz)</b>	17 min. @1736 - 1856 40 min. @2604 - 2784	20 min. @4800 - 5000 40 min. @7200 - 7500
<b>Unbalanced Impedance (Ω)</b>	50	
<b>Balanced Impedance (Ω)</b>	Impedance matched to Texas Instruments CC1352R and CC1352P	
<b>Power Capacity (W)</b>	3 max. CW	
<b>Operating Temperature</b>	-40°C to +85°C	
<b>Quantity/Reel</b>	4,000	



<b>Recommended Storage Conditions and Period for unused product on T&amp;R</b>	+5 to +35°C Humidity 45~75%RH 18 months max.*
--	---

\*18 months max. in vacuum sealed bag and 1 week after opened. Please see: <https://www.johansontechnology.com/silverleads>

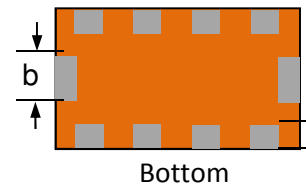
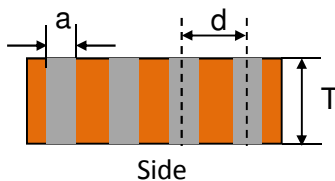
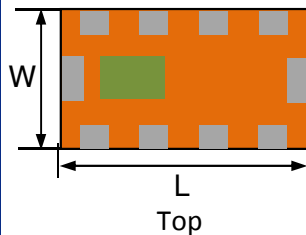
### Part Number Explanation

P/N Suffix	Packing Style	Bulk (loose pcs.)	Suffix = S	E.g. 0900PC15A0036S
		T & R	Suffix = E	E.g. 0900PC15A0036E
	Termination Style	Ag/Pt	Suffix = None	E.g. 0900PC15A0036(E or S)

For more Texas Instruments matched balun-filters, go to: <https://www.johansontechnology.com/ti>

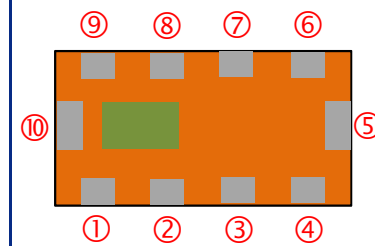
### Mechanical Dimensions

	In	mm
<b>L</b>	0.079 ± 0.008	2.00 ± 0.2
<b>W</b>	0.049 ± 0.008	1.25 ± 0.2
<b>T</b>	0.039 max.	1.00 max.
<b>a</b>	0.010 ± 0.004	0.25 ± 0.1
<b>b</b>	0.012 ± 0.006	0.30 ± 0.15
<b>c</b>	0.008+0.004/-0.006	0.20 +0.1/-0.15
<b>d</b>	0.020 ± 0.004	0.50 ± 0.1



### Terminal Configuration

No.	Function	No.	Function
1	ANT (2.4GHz)	6	RF_N (Sub-GHz)
2	GND	7	RX_P (Sub-GHz)
3	GND	8	RF_N (2.4GHz)
4	ANT (Sub-GHz)	9	RF_P (2.4GHz)
5	RX_TX	10	GND



Johanson Technology, Inc. reserves the right to make design changes without notice.  
All sales are subject to Johanson Technology, Inc. terms and conditions.



<https://www.johansontechnology.com>

4001 Calle Tecate • Camarillo, CA 93012 • TEL 805.389.1166 FAX 805.389.1821

Ver. 1.1

2021 Johanson Technology, Inc. All Rights Reserved

# High Frequency Ceramic Solutions

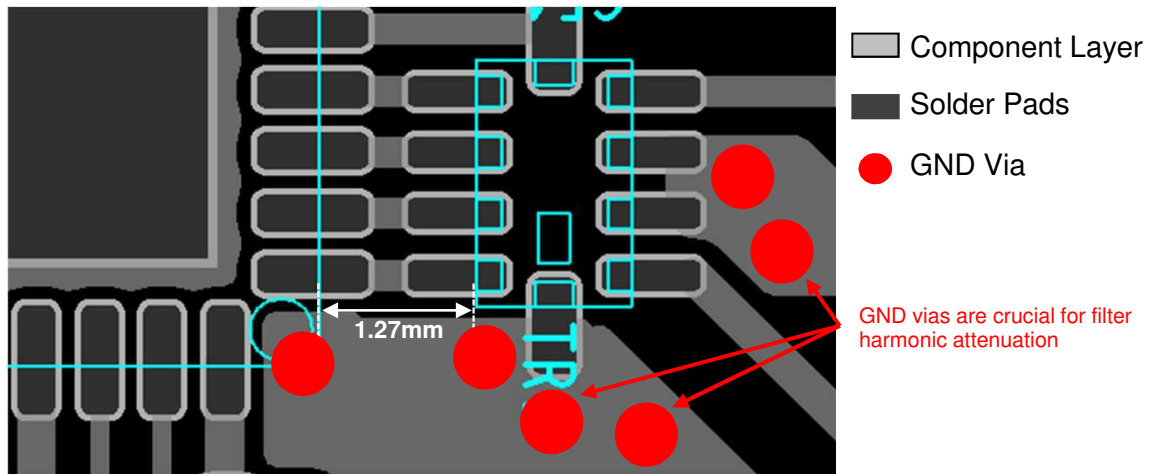
862 - 928MHz, 2.4 - 2.5GHz Integrated Impedance-matched Balun Filter  
for Texas Instruments CC1352R and CC1352P

P/N: 0900PC15A0036

Detail Specification: 5/12/2021

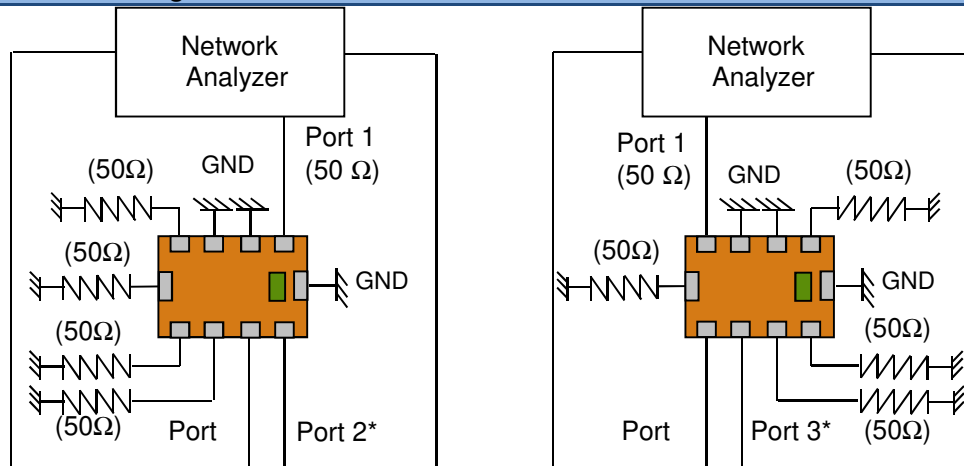
Page 2 of 6

## Pad-Soldermask Guidelines



For reference design package and PCB CAD files, please contact us at: <https://www.johansontechnology.com/ask-a-question>

## PCB Reference Design Schematic



**Port 1:** Unbalanced Port, **Ports 2 and 3:** Balanced Port  
\*Impedance for ports 2 and 3 = Conjugate to Balanced Impedance/2

Johanson Technology, Inc. reserves the right to make design changes without notice.  
All sales are subject to Johanson Technology, Inc. terms and conditions.



<https://www.johansontechnology.com>

4001 Calle Tecate • Camarillo, CA 93012 • TEL 805.389.1166 FAX 805.389.1821

Ver. 1.1

2021 Johanson Technology, Inc. All Rights Reserved

# High Frequency Ceramic Solutions

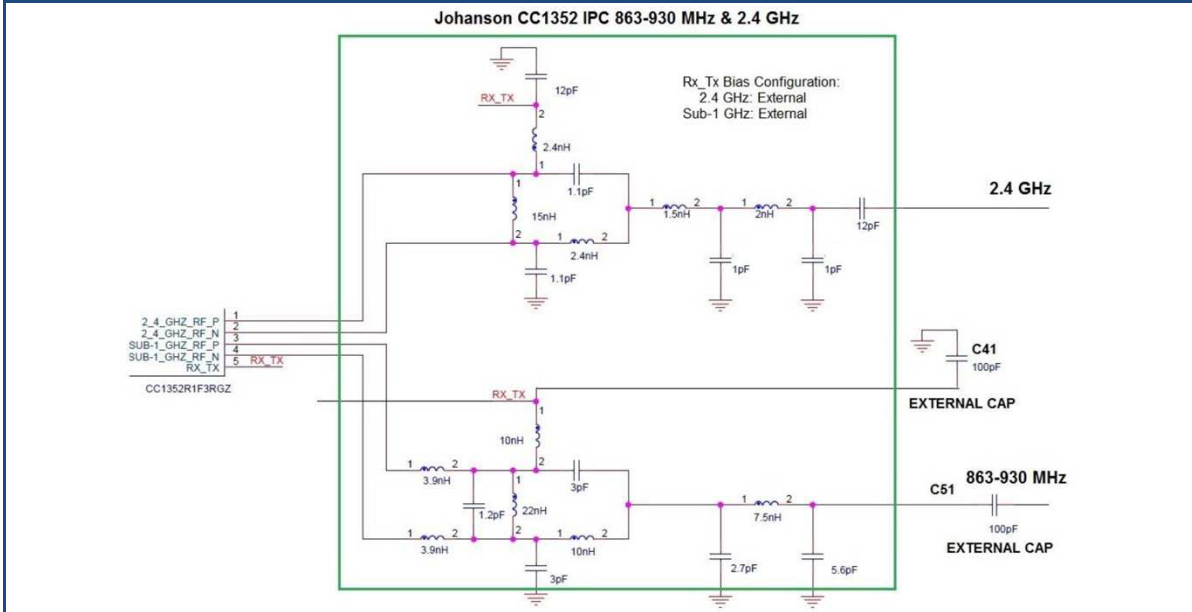
**862 - 928MHz, 2.4 - 2.5GHz Integrated Impedance-matched Balun Filter**  
**for Texas Instruments CC1352R and CC1352P**

**P/N: 0900PC15A0036**

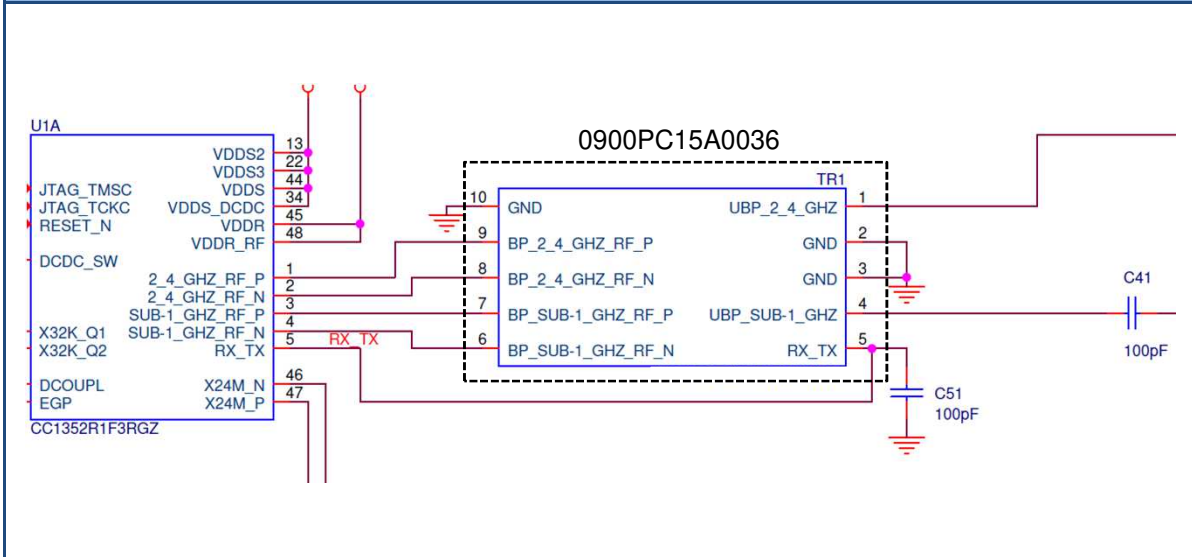
Detail Specification: 5/12/2021

Page 3 of 6

## Discrete Components Integrated into IPC



## PCB Reference Design Schematic



Johanson Technology, Inc. reserves the right to make design changes without notice.  
 All sales are subject to Johanson Technology, Inc. terms and conditions.



<https://www.johansontechnology.com>

4001 Calle Tecate • Camarillo, CA 93012 • TEL 805.389.1166 FAX 805.389.1821

Ver. 1.1

2021 Johanson Technology, Inc. All Rights Reserved

# High Frequency Ceramic Solutions

862 - 928MHz, 2.4 - 2.5GHz Integrated Impedance-matched Balun Filter  
for Texas Instruments CC1352R and CC1352P

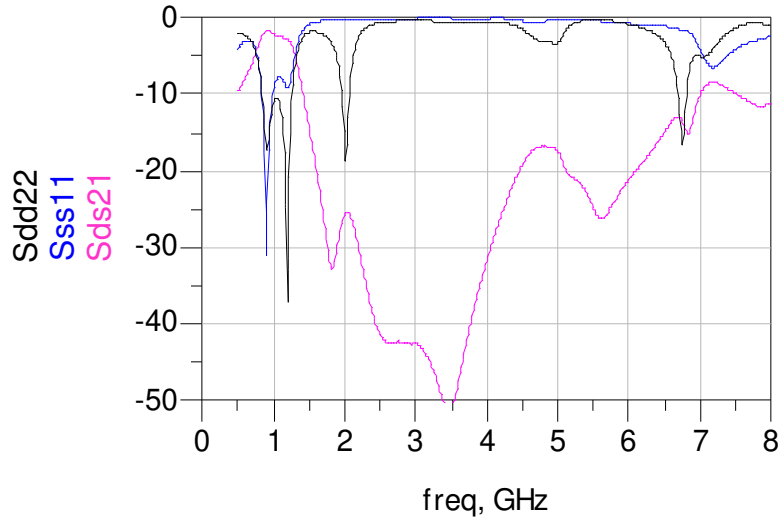
P/N: 0900PC15A0036

Detail Specification: 5/12/2021

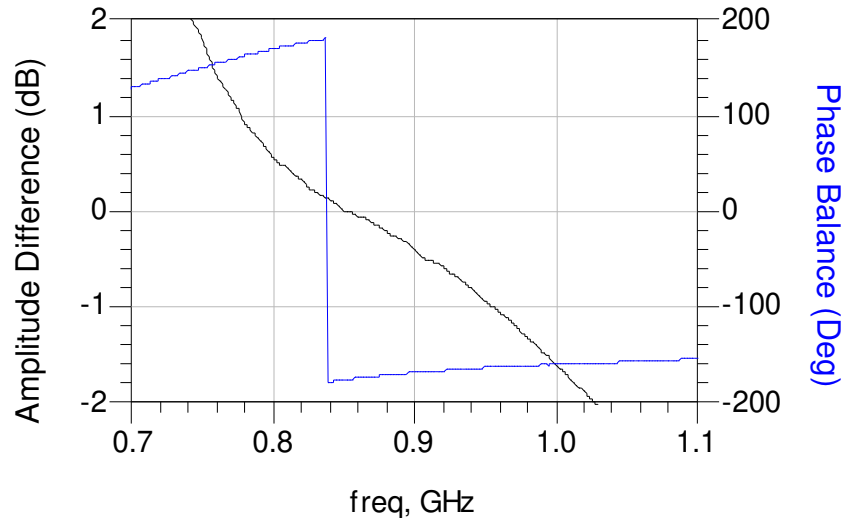
Page 4 of 6

## Sub-GHz Electrical Characteristics at T=25°C

Insertion Loss, Attenuation



Phase Balance, Amplitude Difference



Johanson Technology, Inc. reserves the right to make design changes without notice.  
All sales are subject to Johanson Technology, Inc. terms and conditions.



<https://www.johansontechnology.com>

4001 Calle Tecate • Camarillo, CA 93012 • TEL 805.389.1166 FAX 805.389.1821

Ver. 1.1

2021 Johanson Technology, Inc. All Rights Reserved

# High Frequency Ceramic Solutions

862 - 928MHz, 2.4 - 2.5GHz Integrated Impedance-matched Balun Filter  
for Texas Instruments CC1352R and CC1352P

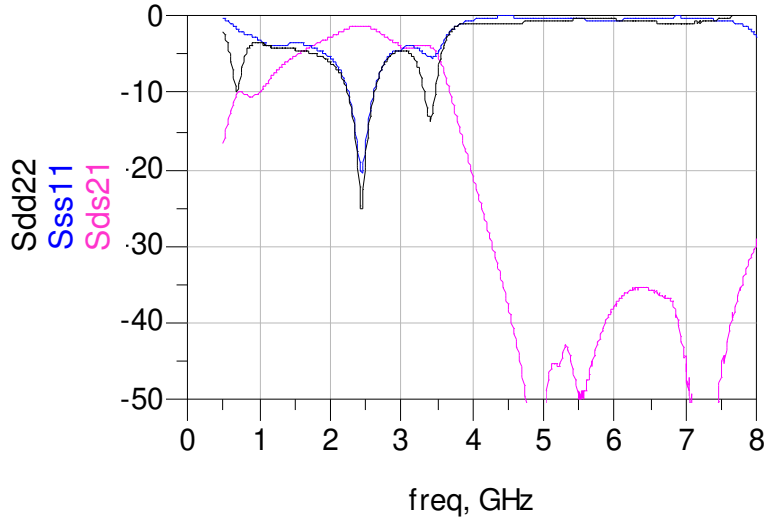
P/N: 0900PC15A0036

Detail Specification: 5/12/2021

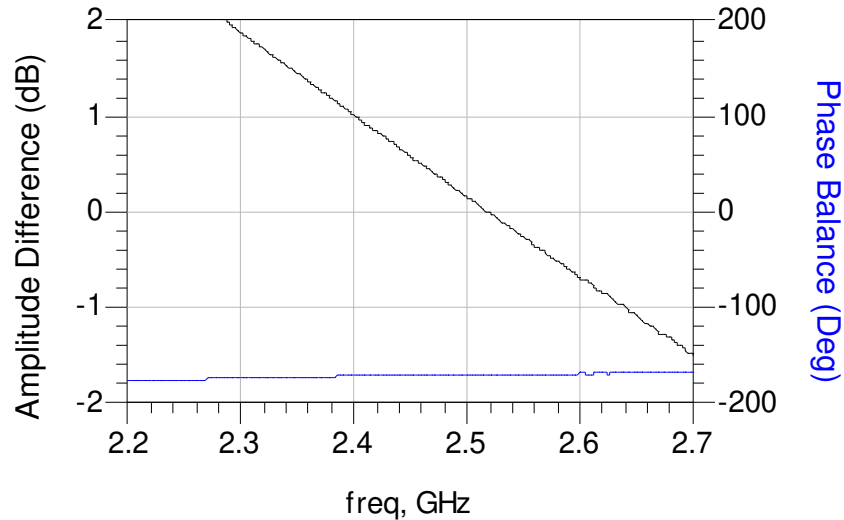
Page 5 of 6

## 2.4GHz Electrical Characteristics at T=25°C

Insertion Loss, Attenuation



Phase Balance, Amplitude Difference



Johanson Technology, Inc. reserves the right to make design changes without notice.  
All sales are subject to Johanson Technology, Inc. terms and conditions.



<https://www.johansontechnology.com>

4001 Calle Tecate • Camarillo, CA 93012 • TEL 805.389.1166 FAX 805.389.1821

Ver. 1.1

2021 Johanson Technology, Inc. All Rights Reserved

# High Frequency Ceramic Solutions

**862 - 928MHz, 2.4 - 2.5GHz Integrated Impedance-matched Balun Filter for Texas Instruments CC1352R and CC1352P** P/N: 0900PC15A0036

Detail Specification: 5/12/2021

Page 6 of 6

## Application Notes, Layout Files, and more

<https://www.johansontechnology.com/ti>

## Small SMD 900MHz (or 2.4G, 5G) antennas at:

<https://www.johansontechnology.com/antennas>

## RoHS Compliance

<https://www.johansontechnology.com/rohs-compliance>

## Soldering Information

<https://www.johansontechnology.com/ipcsoldering-profile>

## Antenna layout and tuning techniques

<https://www.johansontechnology.com/tuning>

## Antenna layout review, tuning, and characterization services

<https://www.johansontechnology.com/ipc-antenna-services>

## MSL Info

<https://www.johansontechnology.com/msl-rating>

## Recommended Storage Condition and Max Shelf Life

<https://www.johansontechnology.com/recommended-storage-conditions>

## Packaging information

<https://www.johansontechnology.com/tape-reel-packaging>

## Silverleads Information

<https://www.johansontechnology.com/silverleads>

Would you like us to review your layout for free? Need an embedded antenna recommendation for your application?

Contact us at:

<https://www.johansontechnology.com/ask-a-question>

Johanson Technology, Inc. reserves the right to make design changes without notice.

All sales are subject to Johanson Technology, Inc. terms and conditions.



<https://www.johansontechnology.com>

4001 Calle Tecate • Camarillo, CA 93012 • TEL 805.389.1166 FAX 805.389.1821

Ver. 1.1

2021 Johanson Technology, Inc. All Rights Reserved

## Looking for pricing, stock, or lifecycle information?

Click below to explore more details on WIN SOURCE:

 [View 0900PC15A0036E on WIN SOURCE](#)

 [Johanson Technology Inc. Information](#)

## Optimize Your Supply Chain with WIN SOURCE Solutions

-  Global Sourcing Solution
-  Obsolete Management
-  Cost Control Management
-  Shortage Management
-  Alternative Solution
-  Excess Inventory Management