

W57-XB1A4A10-5 ✓ ACTIVE

Potter & Brumfield W57

TE Internal #: 1-1423364-2

Thermal Circuit Breaker, Series Trip, White Actuator, 250 VAC, 50 VDC, 5 A, 1 Pole, 4 – 40 seconds Trip Time at 200%, Potter & Brumfield W57

[View on TE.com >](#)



Relays & Contactors > Circuit Breakers



Circuit Breaker Type: **Thermal**

Circuit Function: **Series Trip**

Illuminated: **Without**

Actuator Color: **White**

Operating Voltage: **250 VAC**

Features

Product Type Features

Illumination Type	No Light
Actuator Type	Push to Reset
Circuit Breaker Type	Thermal
Illuminated	Without

Configuration Features

	.441 x .394 in
Circuit Function	Series Trip
Number of Poles	1

Electrical Characteristics

Operating Voltage	50 VDC
Current Rating	5 A
Interrupt Capacity	1000A @ 250VAC/50VDC

Body Features

Actuator Color	White
----------------	-------

Contact Features

Trip Time at 200%	4 – 40 seconds
-------------------	----------------

Termination Features

Terminal Configuration	6.35 [.25] Straight Quick Connect Tab
------------------------	---------------------------------------



Mechanical Attachment

Mounting Options	Knurled Nut/Hex Nut
Mounting Hardware Packaging	Assembled to Bushing
Mounting Bushing	9.8 x 9.6mm Long, Plastic

Identification Marking

Stamped Marking Type	Red Rate Marking
----------------------	------------------

Product Compliance

[For compliance documentation, visit the product page on TE.com>](#)

EU RoHS Directive 2011/65/EU	Compliant with Exemptions
EU ELV Directive 2000/53/EC	Out of Scope
China RoHS 2 Directive MIIT Order No 32, 2016	Restricted Materials Above Threshold
EU REACH Regulation (EC) No. 1907/2006	Current ECHA Candidate List: JAN 2025 (247) Candidate List Declared Against: JAN 2025 (247) SVHC > Threshold: TBBPA (17% in 12598670080) Cadmium oxide (1.55% in 12598674583) Article Safe Usage Statements: Use personal protective equipment as required. Do not eat, drink or smoke when using this product. Wash thoroughly after handling. Recycle if possible and dispose of the article by following all applicable governmental regulations relevant to your geographic location.
Halogen Content	Not Low Halogen - contains Br or Cl > 900 ppm.
Solder Process Capability	Not applicable for solder process capability

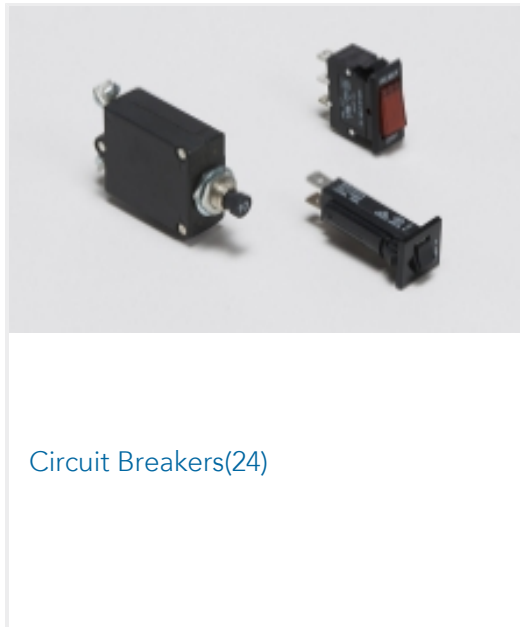
Product Compliance Disclaimer

This information is provided based on reasonable inquiry of our suppliers and represents our current actual knowledge based on the information they provided. This information is subject to change. The part numbers that TE has identified as EU RoHS compliant have a maximum concentration of 0.1% by weight in homogenous materials for lead, hexavalent chromium, mercury, PBB, PBDE, DBP, BBP, DEHP, DIBP, and 0.01% for cadmium, or qualify for an exemption to these limits as defined in the Annexes of Directive 2011/65/EU (RoHS2). Finished electrical and electronic equipment products will be CE marked as required by Directive 2011/65/EU. Components may not be CE marked. Additionally, the part numbers that TE has identified as EU ELV compliant have a maximum concentration of 0.1% by weight in homogenous materials for lead, hexavalent chromium, and mercury, and 0.01% for cadmium, or qualify for an exemption to these limits as defined in the Annexes of Directive 2000/53/EC (ELV). Regarding the REACH Regulation, the information TE provides on SVHC in articles for this part number is based on the latest European Chemicals Agency (ECHA) 'Guidance on requirements for substances in articles' posted at this URL: <https://echa.europa.eu/guidance-documents/guidance-on-reach>

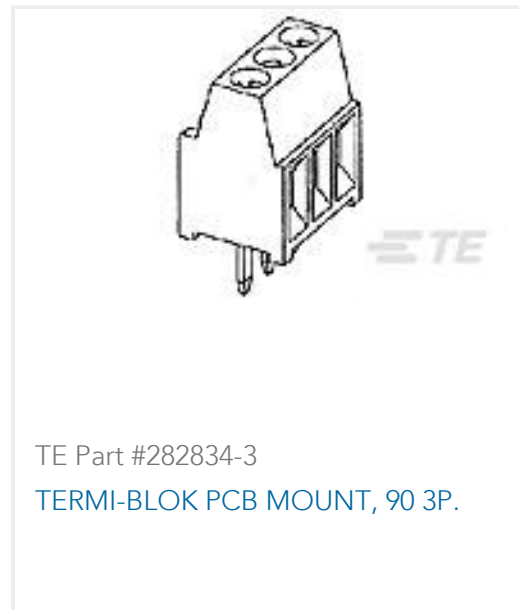
Compatible Parts



Also in the Series | **Potter & Brumfield W57**



Customers Also Bought





Documents

CAD Files

Customer View Model

[ENG_CVM_1-1423364-2_1108.3d_igs.zip](#)

English

Customer View Model

[ENG_CVM_1-1423364-2_1108.3d_stp.zip](#)

English

Customer View Model

[ENG_CVM_1-1423364-2_1108.2d_dxf.zip](#)

English

3D PDF

English

By downloading the CAD file I accept and agree to the [Terms and Conditions](#) of use.

Datasheets & Catalog Pages

[W57 Compact Push To Reset Only Thermal Circuit Breaker](#)

English

Agency Approvals

[VDE Certificate](#)

English

Looking for pricing, stock, or lifecycle information?

Click below to explore more details on WIN SOURCE:

[View W57-XB1A4A10-5 on WIN SOURCE](#)

[TE Connectivity Information](#)

Optimize Your Supply Chain with WIN SOURCE Solutions

- ✓ Global Sourcing Solution
- ✓ Obsolete Management
- ✓ Cost Control Management
- ✓ Shortage Management
- ✓ Alternative Solution
- ✓ Excess Inventory Management