

POTTER & BRUMFIELD W28 SERIES

PUSH TO RESET, FUSEHOLDER-TYPE THERMAL P&B CIRCUIT BREAKER

FEATURES

- Push to reset.
- Approved to many international standards.
- Replaces slow blow glass cartridge fuse.
- Labor-saving snap-in mounting.
- Button extends for visual trip indication.



APPROVALS

- W28 series is UL 1077 Recognized as Supplementary Protectors, File E69543, CSA Accepted as Supplementary Protectors (Appliance Component Protectors), File LR15734.
- W28 breakers are VDE approved for use in office equipment (AC loads only) and provides 8mm isolation.
- 20 amp models do not have VDE approvals at present.
- CCC mark compliant certificate 2024010307685413 & 20240100307696168

Note: VDE not available on 20A W28 only.



Technical data of approved types on request

Users should thoroughly review the technical data before selecting a product part number. It is recommended that users also seek out the pertinent approvals files of the agencies/laboratories and review them to confirm the product meets the requirements for a given application.

POTTER & BRUMFIELD W28 SERIES
THERMAL P&B CIRCUIT BREAKER

ELECTRICAL DATA @ 25°C

Calibration	Will continuously carry 100% of rating
	3-20 amp models : May trip between 101% and 134%, but must trip at 135% of rating within one hour at +25°C.
Dielectric Strength	Over 1,500 volts RMS.
	Maximum Operating Voltages
Maximum Operating Voltages	32VDC; 250VAC, 50/60Hz.
Interrupt Capacity	1,000 amps at 250VAC, 50/60Hz. and 32VDC in accordance with UL standard 1077.
Resettable Overload Capacity	0.25 - 2 amp models : Six times rated current
	3 - 20 amp models : Ten times rated current
Reset Time	0.25 - 2 amp models : 180 seconds max
	3 - 20 amp models : 30 seconds max

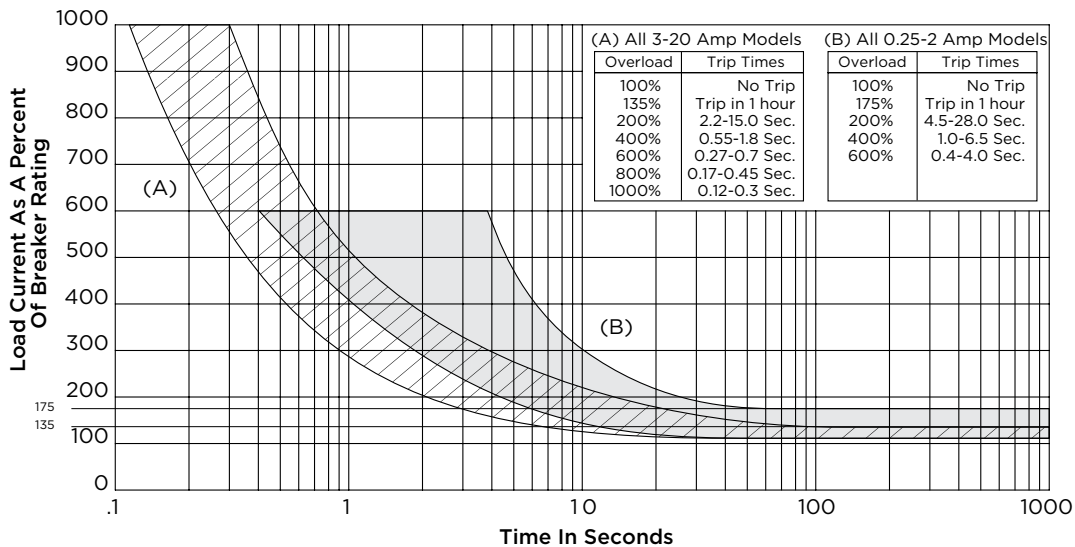
TYPICAL RESISTANCE VS. CURRENT RATING @ +25°C

Current Rating in Amps	Typical Resistance in Ohms	Current Rating in Amps	Typical Resistance in Ohms
0.25	14.0	8.0	0.016
0.50	3.55	9.0	0.014
0.75	2.0	10.0	0.011
1.0	0.89	11.0	0.011
2.0	0.17	12.0	0.009
3.0	0.069	13.0	0.009
4.0	0.043	14.0	0.007
5.0	0.030	16.0	0.007
6.0	0.026	20.0	0.006
7.0	0.017		

MECHANICAL/ENVIRONMENTAL DATA

Termination	.250" (6.35mm) quick connects. Soldering to terminals is not recommended.
Mounting	Snaps into panel from front. See Recommended Panel Cutouts.
Approximate Weight	0.35 oz. (10g).

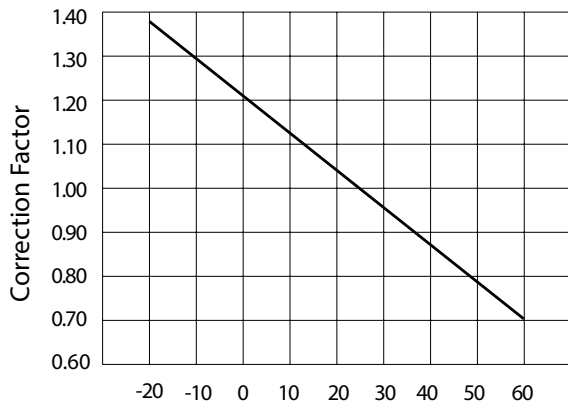
TIME VS. CURRENT TRIP CURVE @ +25°C



POTTER & BRUMFIELD W28 SERIES

THERMAL P&B CIRCUIT BREAKER

AMBIENT COMPENSATION CHART



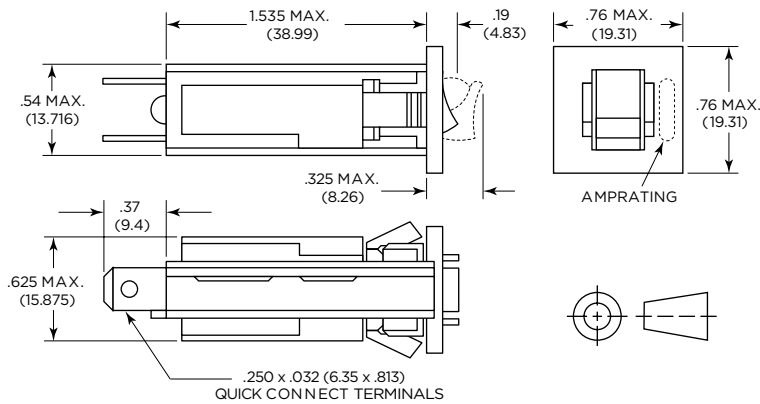
To use this chart: Read up from the ambient temperature to the curve, and across to find a correction factor. Multiply the breaker rating by the correction factor to determine the compensated rating. Calculate the overloads in terms of the compensated rating to use the published trip curve.

Do not use these devices outside their specified operating temperature ranges.

Ambient Temperature In Degrees Centigrade (°C)

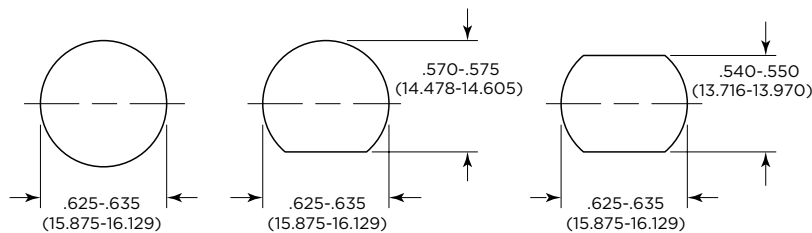
OUTLINE DIMENSIONS

PUSH-TO-RESET TYPE

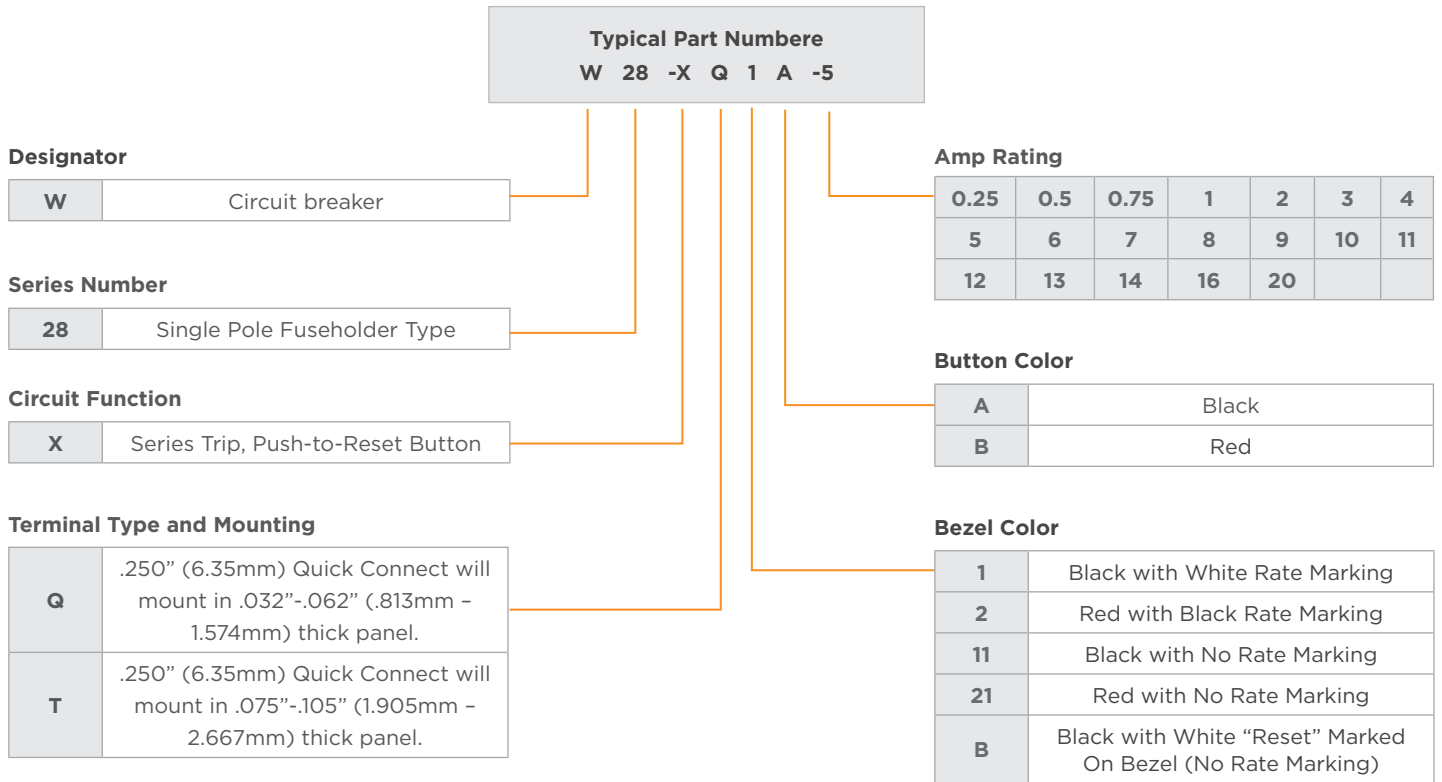


- Notes:
- Soldering to terminals is not recommended.
 - Recommended Panel Thickness:
 - Style Q: .032" - .062" (.813 mm - 1.574 mm)
 - Style T: .075" - .105" (1.905 mm - 2.667 mm)

RECOMMENDED PANEL CUTOUTS



ORDERING INFORMATION



Note: All standard part numbers in this series are RoHS compliant.

STOCK ITEMS - AUTHORIZED DISTRIBUTORS ARE MORE LIKELY TO STOCK THE FOLLOWING ITEMS.

W28-XQ1A-0.25	W28-XQ1A-1	W28-XQ1A-4	W28-XQ1A-7	W28-XQ1A-12	W28-XT1A-10
W28-XQ1A-0.50	W28-XQ1A-2	W28-XQ1A-5	W28-XQ1A-8	W28-XQ1A-15	W28-XT1A-12
W28-XQ1A-0.75	W28-XQ1A-3	W28-XQ1A-6	W28-XQ1A-10	W28-XQ1A-20	

te.com

©2025 TE Connectivity plc. family of companies. All Rights Reserved.

TE Connectivity, Potter & Brumfield, TE connectivity (logo) and Every Connection Counts are trademarks owned or licensed by the TE Connectivity plc. family of companies. All other logos, products and/or company names referred to herein might be trademarks of their respective owners.

While TE has made every reasonable effort to ensure the accuracy of the information in this document, TE does not guarantee that it is error-free, nor does TE make any other representation, warranty or guarantee that the information is accurate, correct, reliable or current. TE reserves the right to make any changes to the information contained herein without prior notice. TE Connectivity assumes only those obligations set forth in the terms and conditions for this product and shall in no event be liable for any incidental, indirect, or consequential damages arising out of the sale, resale, use, or misapplication of the product. TE expressly disclaims any implied warranties with respect to the information contained herein, including, but not limited to, implied warranties of merchantability or fitness for a particular purpose. Dimensions, specifications and/or information contained herein are for reference purposes only and are subject to change without notice. Consult TE for the latest dimensions, specifications and/or information. Users of TE Connectivity products must make their own assessment as to whether the respective product is suitable for the respective desired application.

06/25 ED

Looking for pricing, stock, or lifecycle information?

Click below to explore more details on WIN SOURCE:

 [View W28-XQ1A-7 on WIN SOURCE](#)

 [TE Connectivity](#) Information

Optimize Your Supply Chain with WIN SOURCE Solutions

-  Global Sourcing Solution
-  Obsolete Management
-  Cost Control Management
-  Shortage Management
-  Alternative Solution
-  Excess Inventory Management