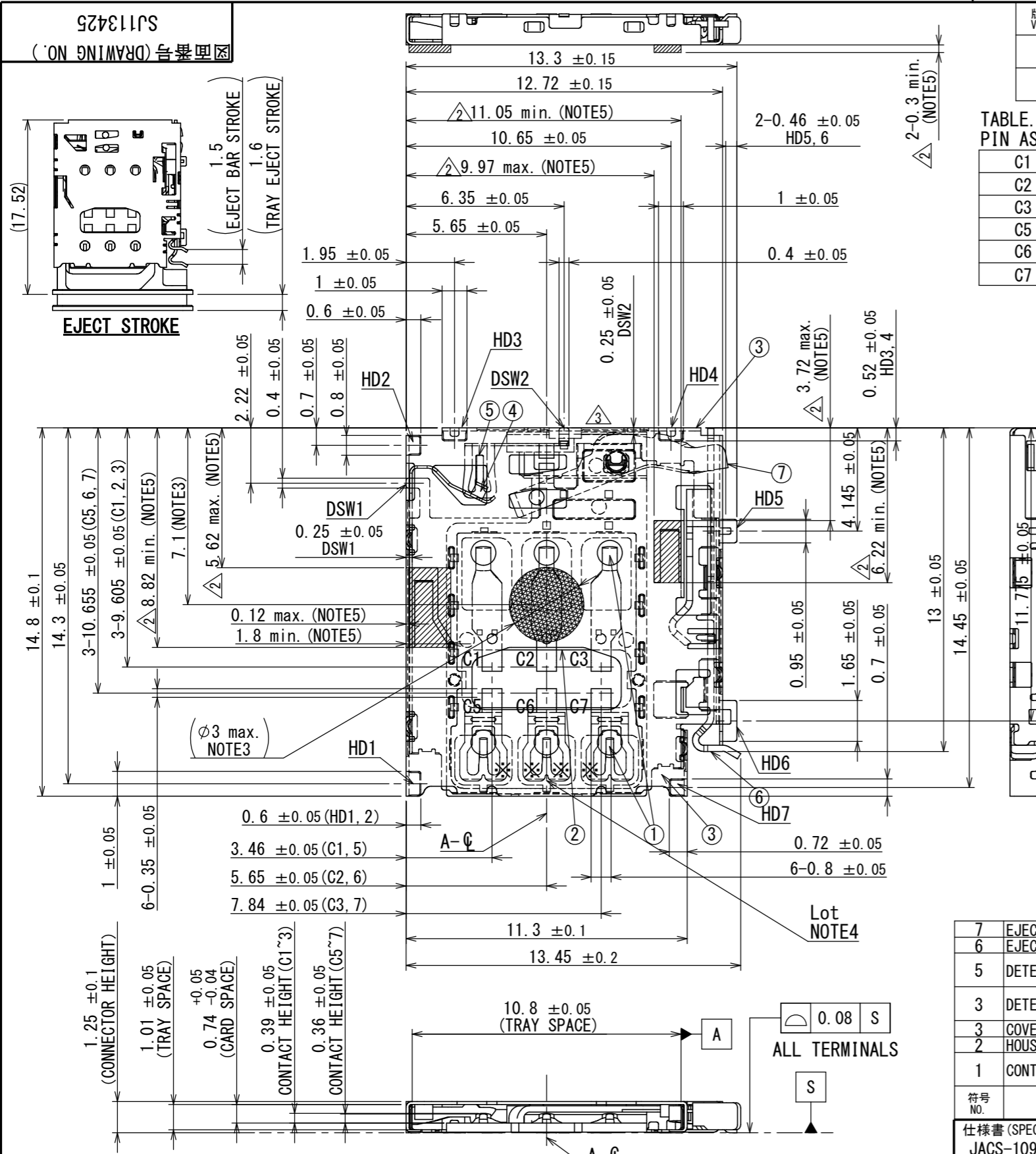


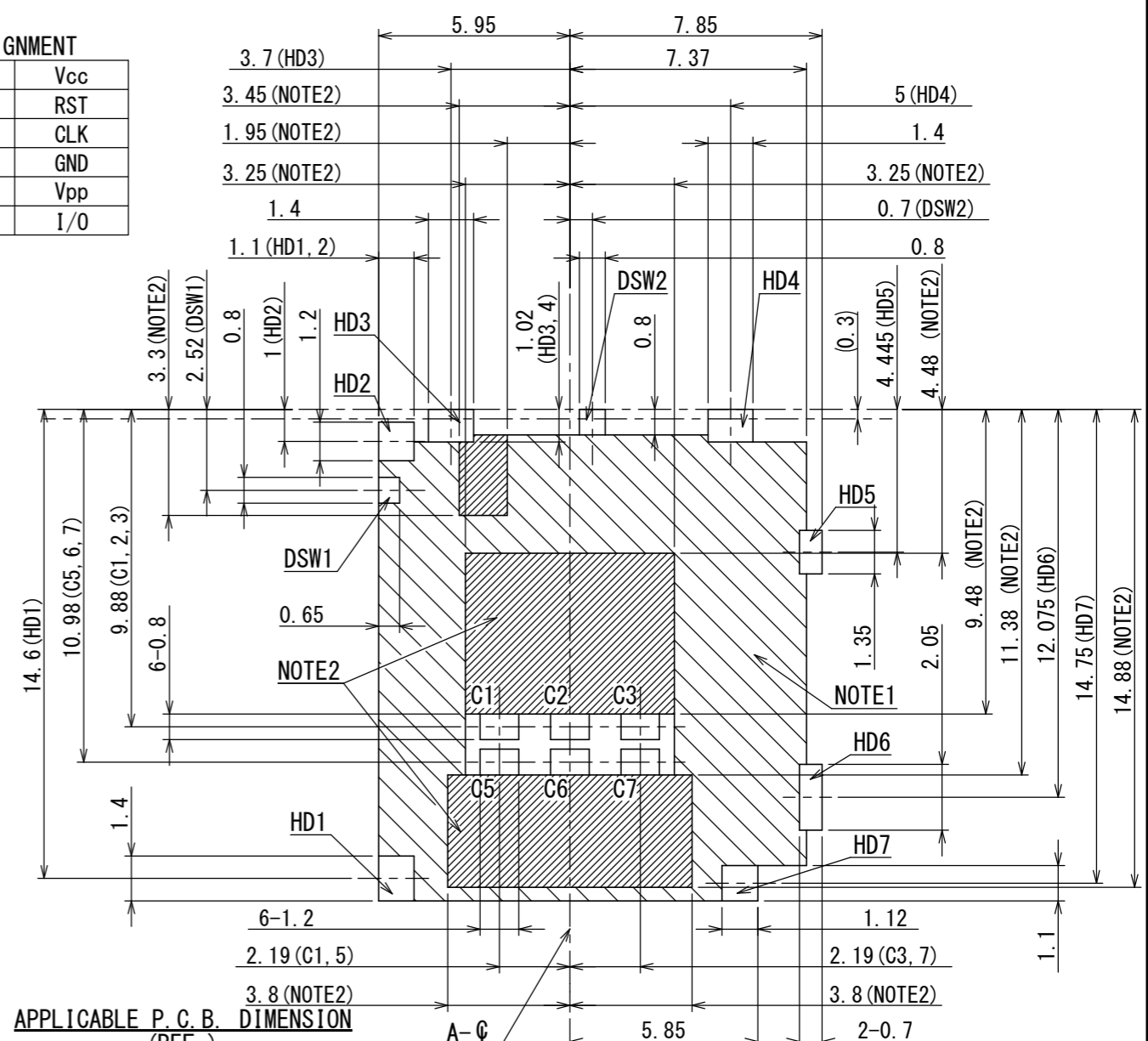
図面番号 (DRAWING NO.) SJ113425



版数 VER.	年月日 DATE	CN NO.	変更内容 DESCRIPTION	製図 DR.	担当 CHK.	査閲 APPD.	承認 APPD.
2	30/MAR/2016	016908	ADD NOTE5~8		K. KUME	-	M. SHIMADA
3	09/JAN/2020	032839	Changed form		K. KUME	-	M. SHIMADA

TABLE 1
PIN ASSIGNMENT

C1	Vcc
C2	RST
C3	CLK
C5	GND
C6	Vpp
C7	I/O



APPLICABLE P.C.B. DIMENSION (REF.)

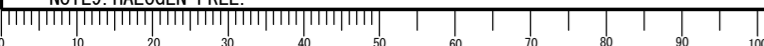
符号 NO.	名称 DESCRIPTION	個数 QTY.	材料 MATERIAL	仕上 FINISH	図番 DWG NO.
7	EJECT LEVER	1	STAINLESS STEEL	-	
6	EJECT BAR	1	STAINLESS STEEL	-	
5	DETECTION SW2	1	COPPER ALLOY	CONTACT: Au (0.3~0.5 μm MIN) OVER Ni ((1~2 μm MIN)) TERMINAL: Au (0.03~0.07 μm MIN) OVER Ni (1~2 μm MIN)	
3	DETECTION SW1	1	COPPER ALLOY	CONTACT: Au (0.3~0.5 μm MIN) OVER Ni ((1~2 μm MIN)) TERMINAL: Au (0.03~0.07 μm MIN) OVER Ni (1~2 μm MIN)	
3	COVER FRAME	1	STAINLESS STEEL	TERMINAL: Au (0.03~0.07 μm MIN) OVER Ni (0.5~2 μm MIN)	
2	HOUSING	1	GLASS FILLED LCP		
1	CONTACT	1	COPPER ALLOY	CONTACT: Au (0.3~0.5 μm MIN) OVER Ni ((1~2 μm MIN)) TERMINAL: Au (0.03~0.07 μm MIN) OVER Ni (1~2 μm MIN)	

TABLE 2
CIRCUIT

	WITHOUT TRAY	TRAY MATED
DSW	④ - ⑤ ↓ GND	④ - ⑤ ↓ GND

NOTE1. ONLY GND PATTERN AND GND VIA HOLE IN ALLOWED IN THIS AREA.
 NOTE2. NO PATERN, VIA HOLE IN THIS AREA.
 NOTE3. VACUUM AREA.
 NOTE4. LOT NUMBER (4-digit Y M D D)
 Y: A.D. 2013-3
 M: PRODUCTION MONTH Oct: 0 Nov: X Dec: Y
 DD: PRODUCTION DAY
 NOTE5. THERE IS NO APPLY THE LOAD ON THIS AREA BY THE CASE.
 NOTE6. MOUNTING BEFORE THE OPERATION PROHIBITION.
 NOTE7. RECOMMENDED OPEN APERTURE RATIO OF METAL MASK: 100% THICKNESS: ±0.1.
 NOTE8. APPLICABLE SLIDE TRAY (SJ113757**) AND CARD (4FF).
 NOTE9. HALOGEN FREE.

DCF-G-212H(12.08)

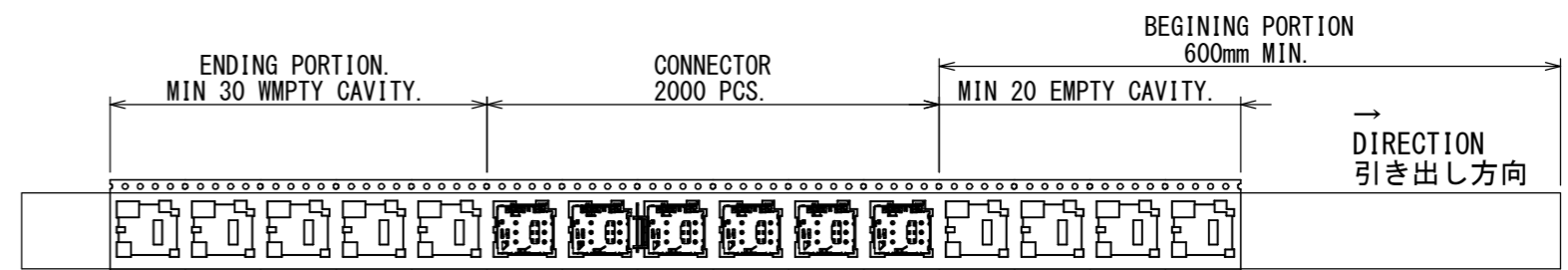
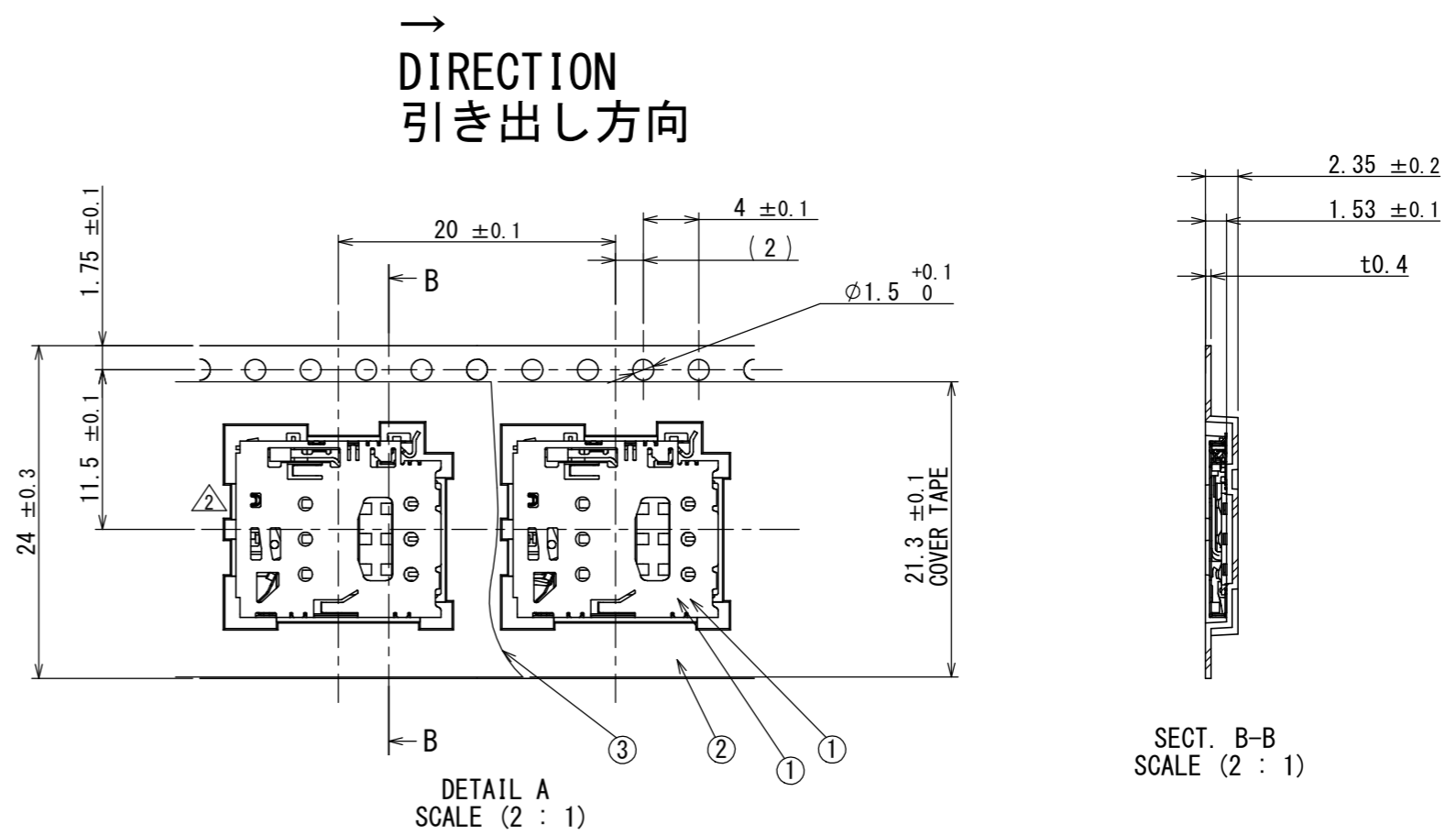
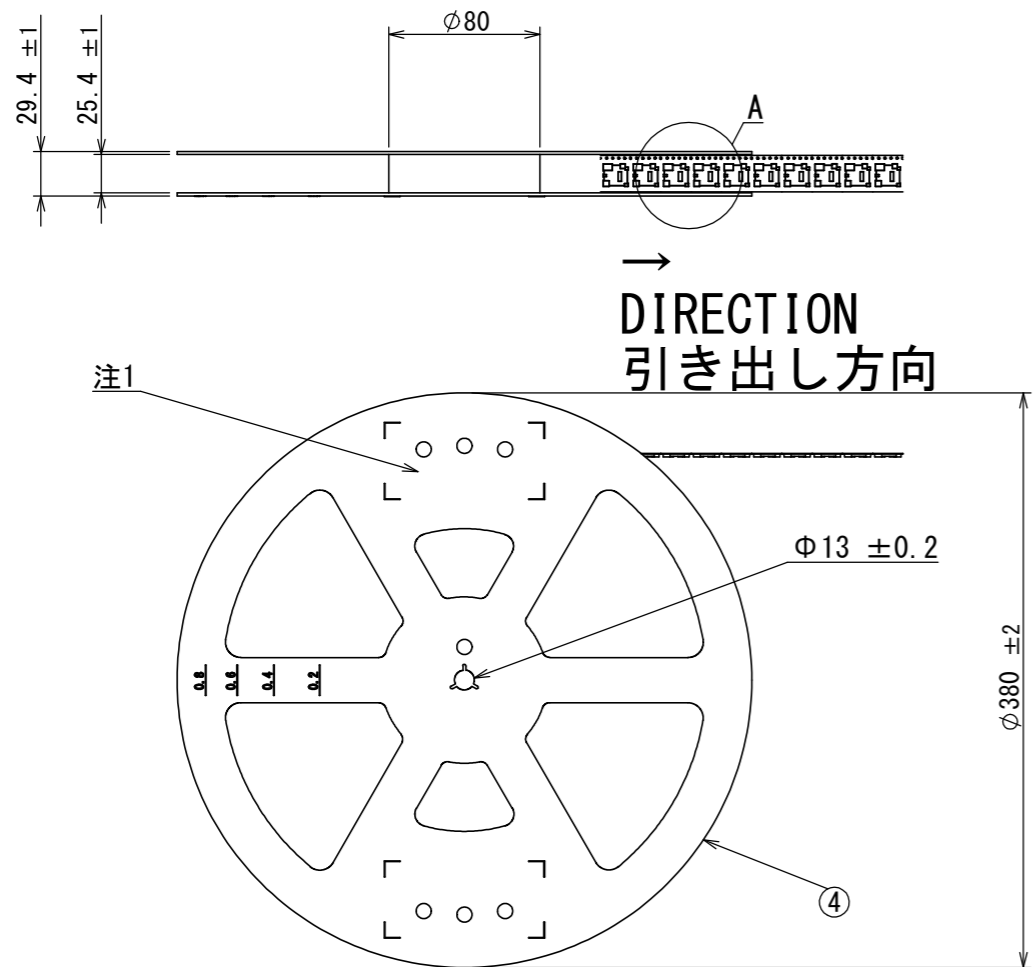


WISDOM承認 2020/01/09

仕様書 (SPECIFICATION) JACS-10953 J AHL-10953	第1版 (ORIGINAL DATE) 25/APR/2013	尺度 (SCALE) 5:1	シリーズ (SERIES) SF70	日本航空電子工業株式会社 JAPAN AVIATION ELECTRONICS INDUSTRY, LTD.	図番 (DRAWING NO.) SJ113425	版数 (VER.) 3
一般公差 (GENERAL TOLERANCE) 寸法 (DIMENSION) ±0.8 × ±0.4 ×× ±0.1 ××× ±	角度 (ANGLES) ×° ± ×°× ±	製造 DR. 担当 CHK. 査閲 APPD. 承認 APPD.	名称 (TITLE) SF70S006VBA	質量 (MASS)	図番 (DRAWING NO.) SJ113425	版数 (VER.) 3

図面番号 (DRAWING NO.) SJ113426

版数 VER.	年月日 DATE	CN NO.	変更内容 DESCRIPTION	製図 DR.	担当 CHK.	査閲 APPD.	承認 APPD.
2	09/JAN/2020	032839	Changed form		K. KUME	-	M. SHIMADA



NOTE1. SUFFIX "SF70S006VBAR2000" OF THE PART NUMBER INDICATES THAT 2000 PCS. OF SF70S006VBA CONNECTORS ARE ACCOMODATED IN ONE REEL.
 2. THE LABEL IS TO BE ATTACHED ON THE MAGAZINE AS SHOWN.
 3. REFER TO THE DRAWING. SJ113425 (SF70S006VBA) FOR THE DIMENSION OF THE CONNECTOR.

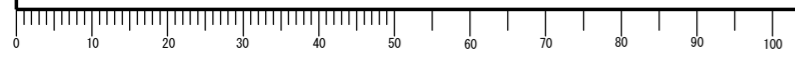
注1. "SF70S006VBAR2000" は収納数2000個入りのリールに収納された品名を表す。
 2. 図示の位置に下記のシールを貼り
 品名、収納数、ロットNo. 及びテープの幅と送りピッチを記入すること。
 3. コネクタ寸法は SJ113425 (SF70S006VBA) 参照。

NOTE2
 DESCRIPTION: SF70S006VBAR2000
 QTY : 2000
 LOT NO : 3125 (YMDD)
 EMBOSS CODE: TB2420

符号 NO.	名称 DESCRIPTION	個数 QTY.	材料 MATERIAL	仕上 FINISH	備考 REMARKS
4	REEL	1	PS	-	
3	COVER TAPE	1	PET	-	
2	CARRIER TAPE	1	PS	-	
1	CONNECTOR	2000	-	-	SJ113425

仕様書 (SPECIFICATION) JACS-10953 JABL-10953	第1版 (ORIGINAL DATE) 25/JAN/2013	尺度 (SCALE) 1:5	シリーズ (SERIES) SF70	日本航空電子工業株式会社 JAPAN AVIATION ELECTRONICS INDUSTRY, LTD.
一般公差 (GENERAL TOLERANCE) 寸法 (DIMENSION) ±0.8 × ±0.4 ×× ±0.1 ××× ±	角度 (ANGLES) ×° ± ×°×' ± 単位 (UNIT) : mm	製図 DR.	名称 (TITLE) SF70S006VBAR2000	図面番号 (DRAWING NO.) SJ113426
	担当 CHK. K. KUME 査閲 APPD. A. MATSUNAGA 承認 APPD. A. NATORI	質量 (MASS)	質量 (MASS)	版数 (VER.) 2

DCF-C-212H(12.08)



WISDOM承認 2020/01/09

Looking for pricing, stock, or lifecycle information?

Click below to explore more details on WIN SOURCE:

 [View SF70S006VBAR2000](#) on WIN SOURCE

 [JAE Electronics](#) Information

Optimize Your Supply Chain with WIN SOURCE Solutions

-  Global Sourcing Solution
-  Obsolete Management
-  Cost Control Management
-  Shortage Management
-  Alternative Solution
-  Excess Inventory Management