



MEAS

TE Internal #: GAG10K3976A1

TE Internal Description: Radial Glass NTC 10K 1% B3976 2.5mm OD

[View on TE.com >](#)

Sensors > Temperature Sensors > NTC Sensors > NTC Thermistors



NTC Sensor Type: **Glass Radial**

Lead Wire Length: **65 mm [ 2.559 in ]**

Resistance (at 25°C): **10 kΩ**

Resistance Tolerance (at 25°C): **± 1 %**

β-Value(25/85): **3976 K**

**Features**

**Product Type Features**

NTC Sensor Type	Glass Radial
Resistance Tolerance (at 25°C)	± 1 %
Tolerance β-Value	±2 %

**Electrical Characteristics**

β-Value(25/85)	3976 K
----------------	--------

**Dimensions**

Lead Wire Length	65 mm[2.559 in]
------------------	-----------------

**Usage Conditions**

Resistance (at 25°C)	10 kΩ
Operating Temperature Range	-40 – 250 °C[-40 – 482 °F]
Operating Temperature (Max)	200 °C

**Product Compliance**

[For compliance documentation, visit the product page on TE.com>](#)

EU RoHS Directive 2011/65/EU	Compliant with Exemptions
EU ELV Directive 2000/53/EC	Out of Scope
China RoHS 2 Directive MIIT Order No 32, 2016	Restricted Materials Above Threshold
EU REACH Regulation (EC) No. 1907/2006	Current ECHA Candidate List: JAN 2025 (247)

Candidate List Declared Against: JAN 2025  
(247)

SVHC > Threshold:

Orange lead (60% in M-13382-3)

**Article Safe Usage Statements:**

Do not eat, drink or smoke when using this product. Wash thoroughly after handling. Recycle if possible and dispose of the article by following all applicable governmental regulations relevant to your geographic location.

Halogen Content

Low Halogen - Br, Cl, F, I < 900 ppm per homogenous material. Also BFR/CFR/PVC Free

Solder Process Capability

Not reviewed for solder process capability

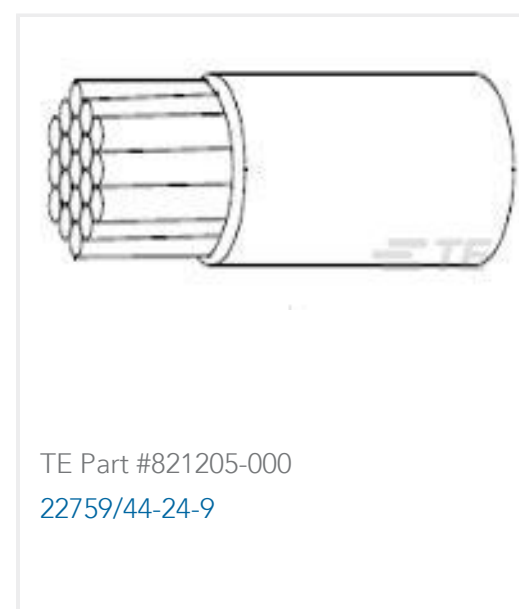
Product Compliance Disclaimer

This information is provided based on reasonable inquiry of our suppliers and represents our current actual knowledge based on the information they provided. This information is subject to change. The part numbers that TE has identified as EU RoHS compliant have a maximum concentration of 0.1% by weight in homogenous materials for lead, hexavalent chromium, mercury, PBB, PBDE, DBP, BBP, DEHP, DIBP, and 0.01% for cadmium, or qualify for an exemption to these limits as defined in the Annexes of Directive 2011/65/EU (RoHS2). Finished electrical and electronic equipment products will be CE marked as required by Directive 2011/65/EU. Components may not be CE marked. Additionally, the part numbers that TE has identified as EU ELV compliant have a maximum concentration of 0.1% by weight in homogenous materials for lead, hexavalent chromium, and mercury, and 0.01% for cadmium, or qualify for an exemption to these limits as defined in the Annexes of Directive 2000/53/EC (ELV). Regarding the REACH Regulation, the information TE provides on SVHC in articles for this part number is based on the latest European Chemicals Agency (ECHA) 'Guidance on requirements for substances in articles' posted at this URL: <https://echa.europa.eu/guidance-documents/guidance-on-reach>

## Compatible Parts



## Customers Also Bought





## Documents

### [Datasheets & Catalog Pages](#)

[Radial\\_Glass\\_SeriesA\\_G10K3976](#)

English

[CAT-NTC0002 Radial Glass Thermistors](#)

English

Looking for pricing, stock, or lifecycle information?

Click below to explore more details on WIN SOURCE:

[View GAG10K3976A1 on WIN SOURCE](#)

[TE Connectivity Information](#)

### Optimize Your Supply Chain with WIN SOURCE Solutions

- ✓ Global Sourcing Solution
- ✓ Obsolete Management
- ✓ Cost Control Management
- ✓ Shortage Management
- ✓ Alternative Solution
- ✓ Excess Inventory Management