

SCALE 2.000

NOTES :

1. MATERIAL: HIGH TEMPERATURE THERMOPLASTIC,
HOUSING: UL 94 V-0 FLAME RETARDANT.
TERMINAL: COPPER ALLOY.
PLATING SPEC. AS BELOW :
Ni 50u" UNDER PLATED.
Au OR GXT 30u" OVER CONTACT AREA. (ONE SIDE)
Tin 120u" OVER SOLDERING AREA.
2. PACKING SPEC. GS-14-924.
3. PRODUCT PERFORMANCE PER SPEC. GS-12-285.
4. PART NUMBER SCHEME: (EX. 10056265-222ABTMLF)
10056265-X XX X X X XLF (LEAD FREE PLATING)

SPEC.	OPTION (CODE)	
	WITH (M)	WITHOUT ()
MYLAR	TRAY (S)	TAPE & REEL (T)
PACKING	BLACK (B)	NATURE (N)
HSG COLOR	ABOVE (A)	
MOUNT SIDE	2.2 (22)	
STAND-OFF	GOLD (1)	GXT (2)

5. RoHS COMPATIBLE PRODUCT SPECIFICATIONS

- a-PLATING:
 -"LF" MEANS THE PRODUCT IS LEAD-FREE, 2micro-meter MINIMUM MATTE TIN OVER 1.27micro-meter MINIMUM NICKEL UNDERPLATE.
 b-MANUFACTURING PROCESS COMPATIBILITY
 -THE HOUSING WILL WITHSTAND EXPOSURE TO 260°C±5°C SOLDER BATH TEMPERATURE FOR 5 SECONDS IN A REFLOW SOLDER APPLICATION WITH A 1.6mm MIN THICK CIRCUIT BOARD.



Tous droits strictement réservés. Reproduction ou communication a des tiers interdite sous quelque forme que ce soit sans autorisation écrite du propriétaire. Propriete de c FCI. Droits de reproduction FCI.

All rights strictly reserved. Reproduction or issue to third parties in any form whatever is not permitted without written authority of FCI. Copyright FCI.



www.fciconnect

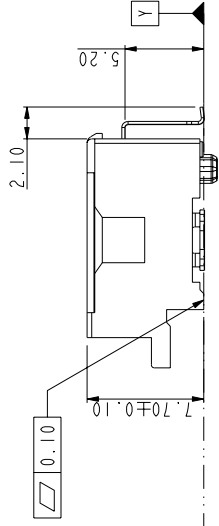
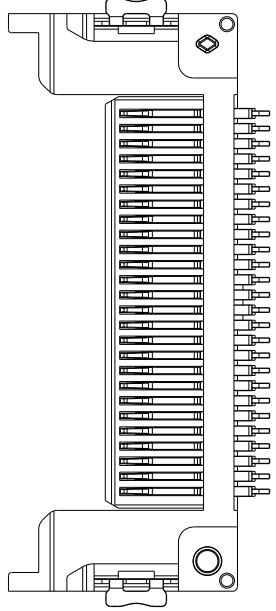
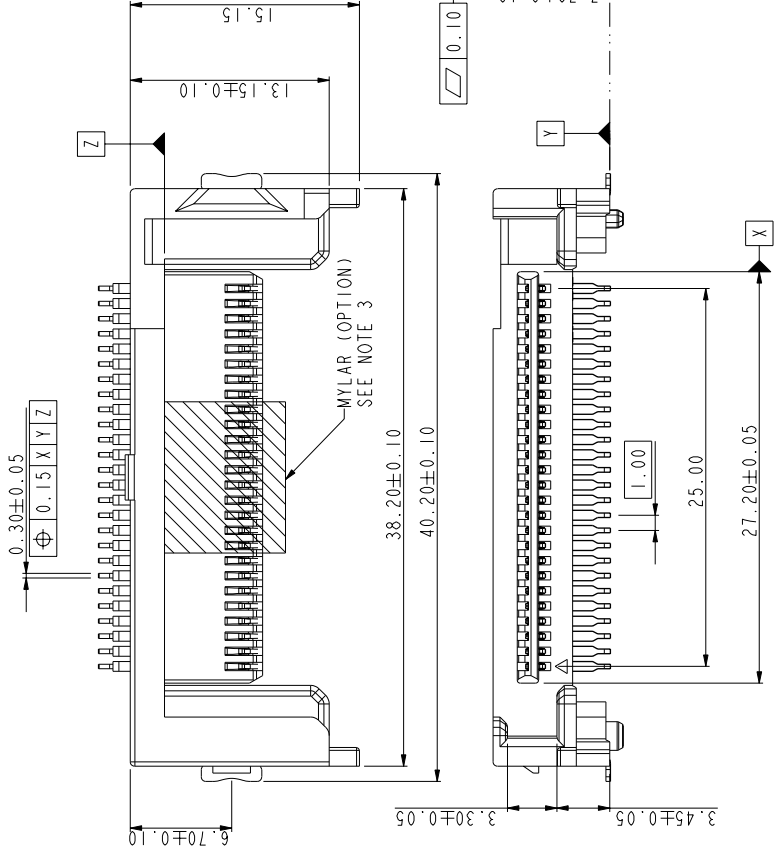
rev	ecn no	dr	date	Dr	www.fciconnect
A	105-0096	TAI	05/23/05	Eng	KENNY TAI 05/12/05
B	105-0121	TAI	06/03/05	Chr	KENNY TAI 05/12/05
C	105-0239	TAI	10/19/05	Appr	PAUL WANG 05/12/05
D	105-0271	TAI	12/08/05	+	TOP MOUNT, 2
E	105-0304	TAI	12/30/05	++	HOST CONNECTOR AS
-	-	-	-	+	
-	-	-	-	++	
-	-	-	-	+++	
-	-	-	-	catalog no	

PRODUCT NO.	NOTE
10056265-X22AXXLF	TOOLED

Tous droits strictement réservés. Reproduction ou communication à des tiers interdite sous quelque forme que ce soit sans autorisation écrite du propriétaire. Propriété de c.FCL. Droits de reproduction FCL.



All rights strictly reserved. Reproduction or issue to third parties in any form whatever is not permitted without written authority of FCL. Copyright FCL.



title

TOP MOUNT, 2
HOST CONNECTOR AS

catalog no

2

1

3PDM: Rev: E



3

2

1

Looking for pricing, stock, or lifecycle information?

Click below to explore more details on WIN SOURCE:

-  [View 10056265-122ABTLF on WIN SOURCE](#)
-  [Amphenol Information](#)

Optimize Your Supply Chain with WIN SOURCE Solutions

-  Global Sourcing Solution
-  Obsolete Management
-  Cost Control Management
-  Shortage Management
-  Alternative Solution
-  Excess Inventory Management