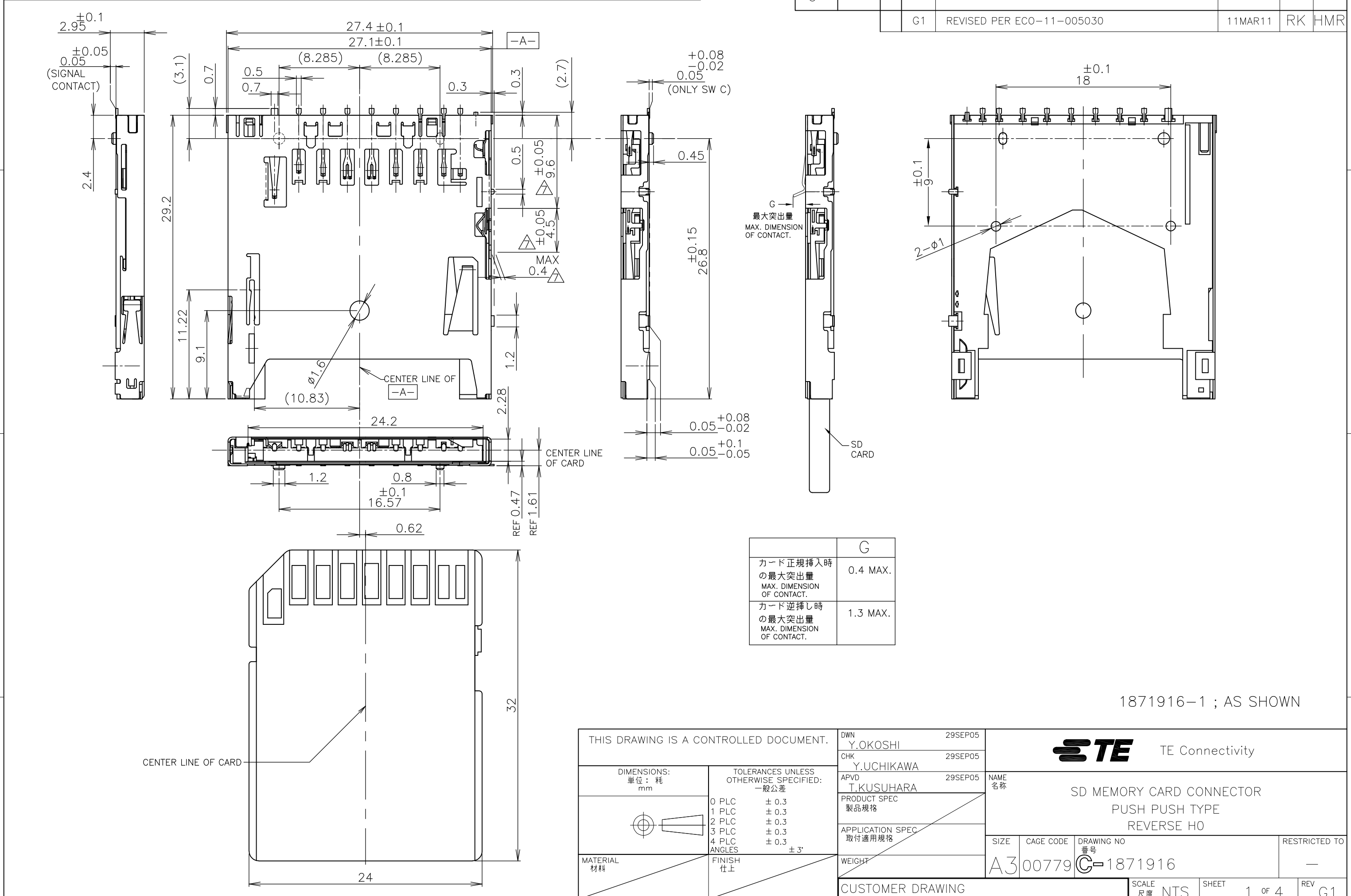



THIS DRAWING IS UNPUBLISHED. RELEASED FOR PUBLICATION  
 © COPYRIGHT - By - ALL RIGHTS RESERVED.

LOC	DIST	REVISIONS					
		P	LTR	DESCRIPTION	DATE	DWN	APVD
J	-		G1	REVISED PER ECO-11-005030	11MAR11	RK	HMR



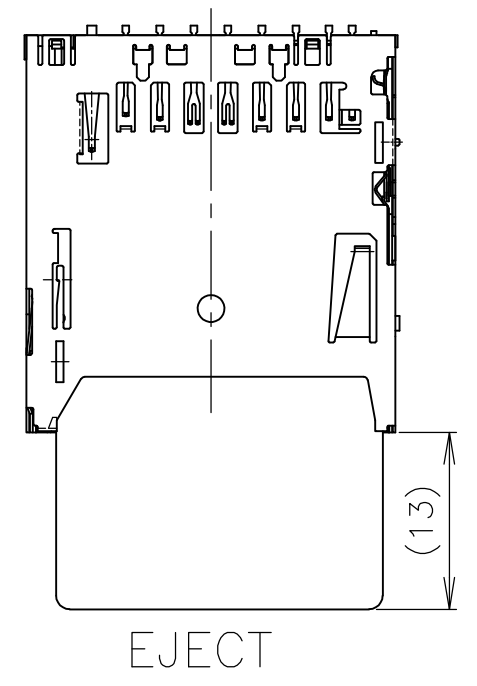
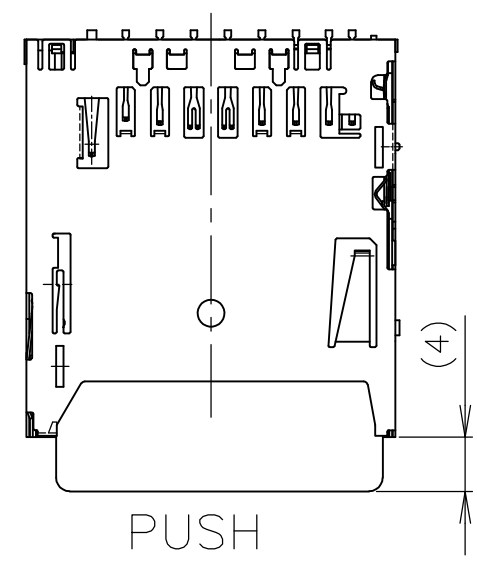
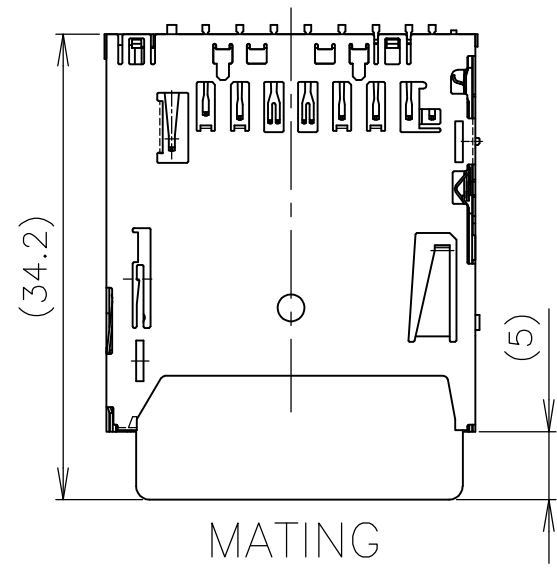
	G
カード正規挿入時の最大突出量の最大突出量 MAX. DIMENSION OF CONTACT.	0.4 MAX.
カード逆挿し時の最大突出量の最大突出量 MAX. DIMENSION OF CONTACT.	1.3 MAX.

1871916-1 ; AS SHOWN

THIS DRAWING IS A CONTROLLED DOCUMENT.		DWN Y.OKOSHI 29SEP05	 TE Connectivity	
DIMENSIONS: 単位: 耗 mm		CHK Y.UCHIKAWA 29SEP05		
TOLERANCES UNLESS OTHERWISE SPECIFIED: 一般公差		APVD T.KUSUHARA 29SEP05	NAME 名称	
0 PLC ± 0.3		PRODUCT SPEC 製品規格		SD MEMORY CARD CONNECTOR PUSH PUSH TYPE REVERSE H0
1 PLC ± 0.3		APPLICATION SPEC 取付適用規格		
2 PLC ± 0.3		SIZE A3	CAGE CODE 00779	DRAWING NO 番号 G-1871916
3 PLC ± 0.3		WEIGHT		RESTRICTED TO
4 PLC ± 0.3		CUSTOMER DRAWING		SCALE 尺度 NTS
ANGLES ± 3'		FINISH 仕上		SHEET 1 OF 4
MATERIAL 材料		REV G1		

THIS DRAWING IS UNPUBLISHED. RELEASED FOR PUBLICATION  
 © COPYRIGHT - By - ALL RIGHTS RESERVED.

LOC	DIST	REVISIONS					
		P	LTR	DESCRIPTION	DATE	DWN	APVD
J	-			SEE SHEET 1	-	-	-



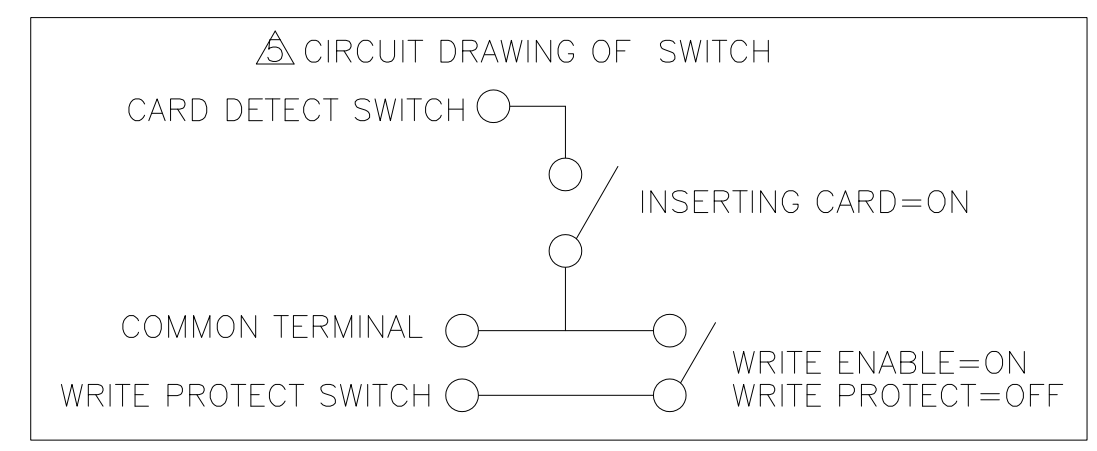
注記

- △ カード認識スイッチ用
- △ コモン端子用
- △ ライトプロテクトスイッチ用
- 4 カード挿入時の接触の順番  
PIN #3,4 → PIN #2,5,6,7,8,9  
カード認識スイッチ ← PIN #1
- △ スwitchの回路図
- 6 本製品は浸漬による洗浄は行わないこと。
- 7 適合基板厚 0.6±0.1mm
- 8 コプラナリティは、0.1mm以下。
- 9 材料  
ハウジング : LCP樹脂、UL94V-0、黒色  
コンタクト : 銅合金  
シェル : 銅合金 (t=0.2)
- 10 仕上げ  
コンタクト : 接点部 : Ni下地めっき 2~4μm、Auめっき0.2~0.5μm。  
          タイン : Snめっき 2~4μm。(無光沢)  
          タイン : Auめっき 0.05~0.13μm。(コモン端子)  
シェル : Cu 0.5μm.MIN. Snめっき(前めっき リフロー処理) 1μm.MIN.

NOTE

- △ FOR CARD DETECT SWITCH
- △ FOR COMMON TERMINAL
- △ FOR WRITE PROTECT SWITCH
- 4 THE SEQUENCE OF CONTACT DURING CARD INSERTION  
PIN #3,4 → PIN #2,5,6,7,8,9  
CARD DETECT SWITCH ← PIN #1
- △ CIRCUIT DRAWING OF SWITCH
- 6 DON'T WASH BY IMMERSING THE CONNECTOR IN FLUID
- 7 APPLICABLE BOARD THICKNESS :0.8±0.1mm
- 8 COPLANARITY IS 0.1MAX.
- 9 MATERIAL  
HOUSING : LCP,UL94V-0,BLACK  
CONTACT : COPPER ALLOY  
SHELL : COPPER ALLOY (t=0.2)
- 10 FINISH  
CONTACT : CONTACT AREA:Ni UNDER PLATING 2~4μm. Au PLATING 0.2~0.5μm。  
          TINE : Sn PLATING 2~4μm。(NON LUSTER)  
          TINE : Au PLATING 0.05~0.13μm。(COMMON TERMINAL)  
SHELL : Cu 0.5μm.MIN. Sn PLATING(PRE-TIN REFLOW) 1μm.MIN.

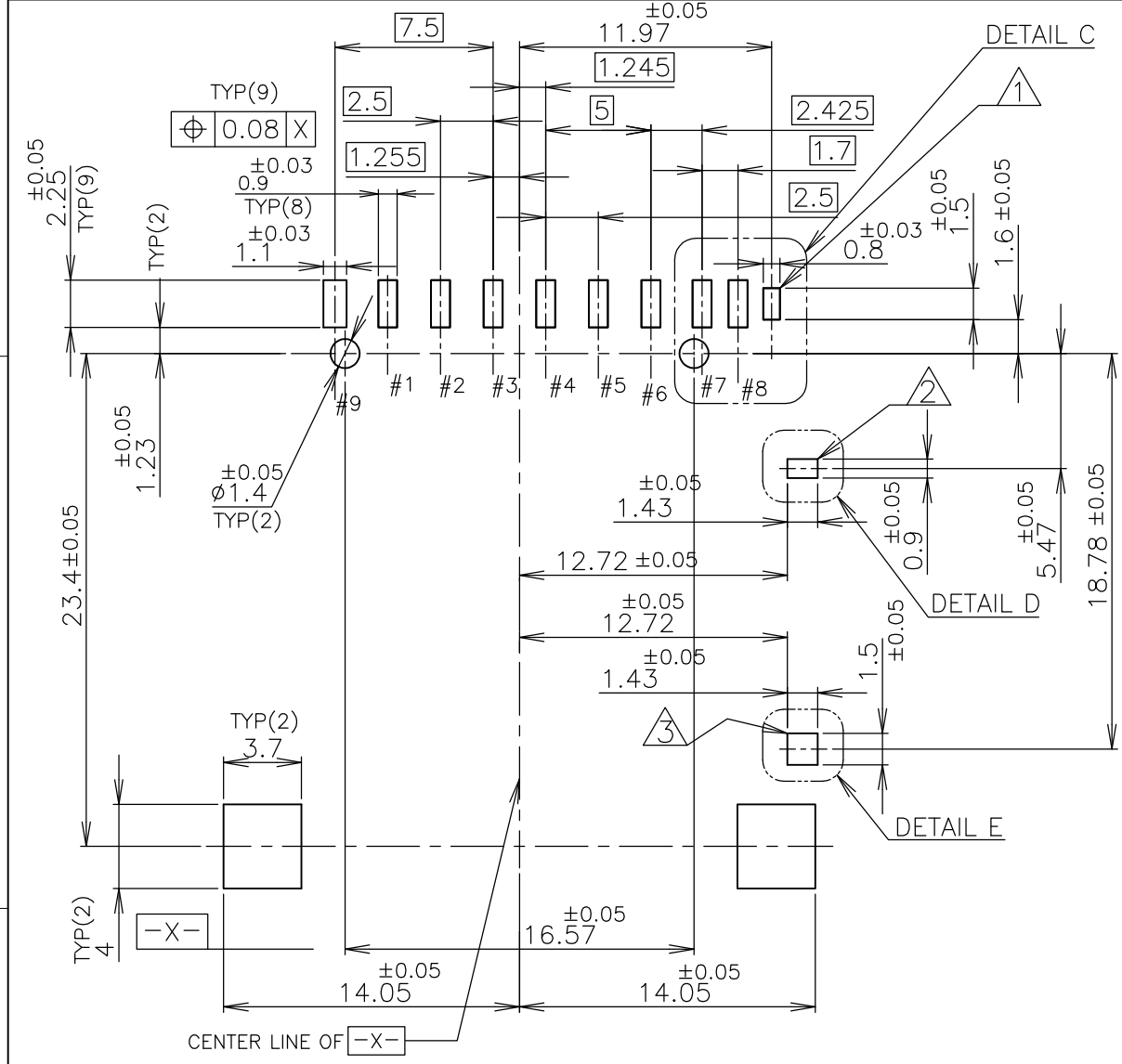
1871916-1 ; AS SHOWN



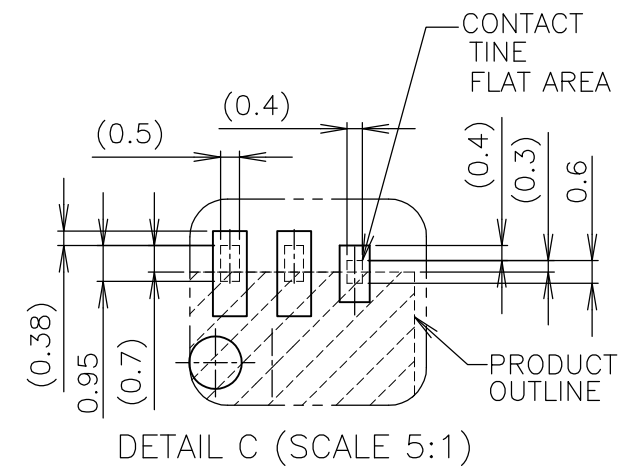
THIS DRAWING IS A CONTROLLED DOCUMENT.		DWN	<b>STE</b> TE Connectivity		
DIMENSIONS: 単位: 耗 mm		CHK			
TOLERANCES UNLESS OTHERWISE SPECIFIED: 一般公差		APVD	NAME 名称 SD MEMORY CARD CONNECTOR PUSH PUSH TYPE REVERSE H0		
0 PLC ± 0.3		PRODUCT SPEC 製品規格	SIZE	CAGE CODE	DRAWING NO 番号
1 PLC ± 0.3		APPLICATION SPEC 取付適用規格	A3	00779	G-1871916
2 PLC ± 0.3		WEIGHT	RESTRICTED TO		
3 PLC ± 0.3		CUSTOMER DRAWING			
4 PLC ± 0.3		SCALE 尺度 NTS		SHEET 2 OF 4	REV G1
ANGLES ± 3'					
MATERIAL 材料	FINISH 仕上				

THIS DRAWING IS UNPUBLISHED. RELEASED FOR PUBLICATION  
 © COPYRIGHT - By - ALL RIGHTS RESERVED.

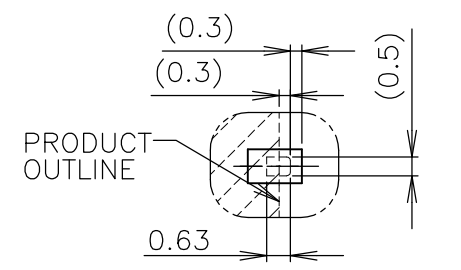
LOC	DIST	REVISIONS			DATE	DWN	APVD
		P	LTR	DESCRIPTION			
J	-	-	-	SEE SHEET 1	-	-	-



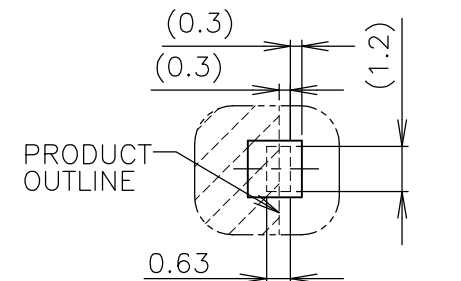
PCB PATTERN LAYOUT(REFERENCE)  
 (VIEW FROM CONNECTOR MOUNT SIDE)



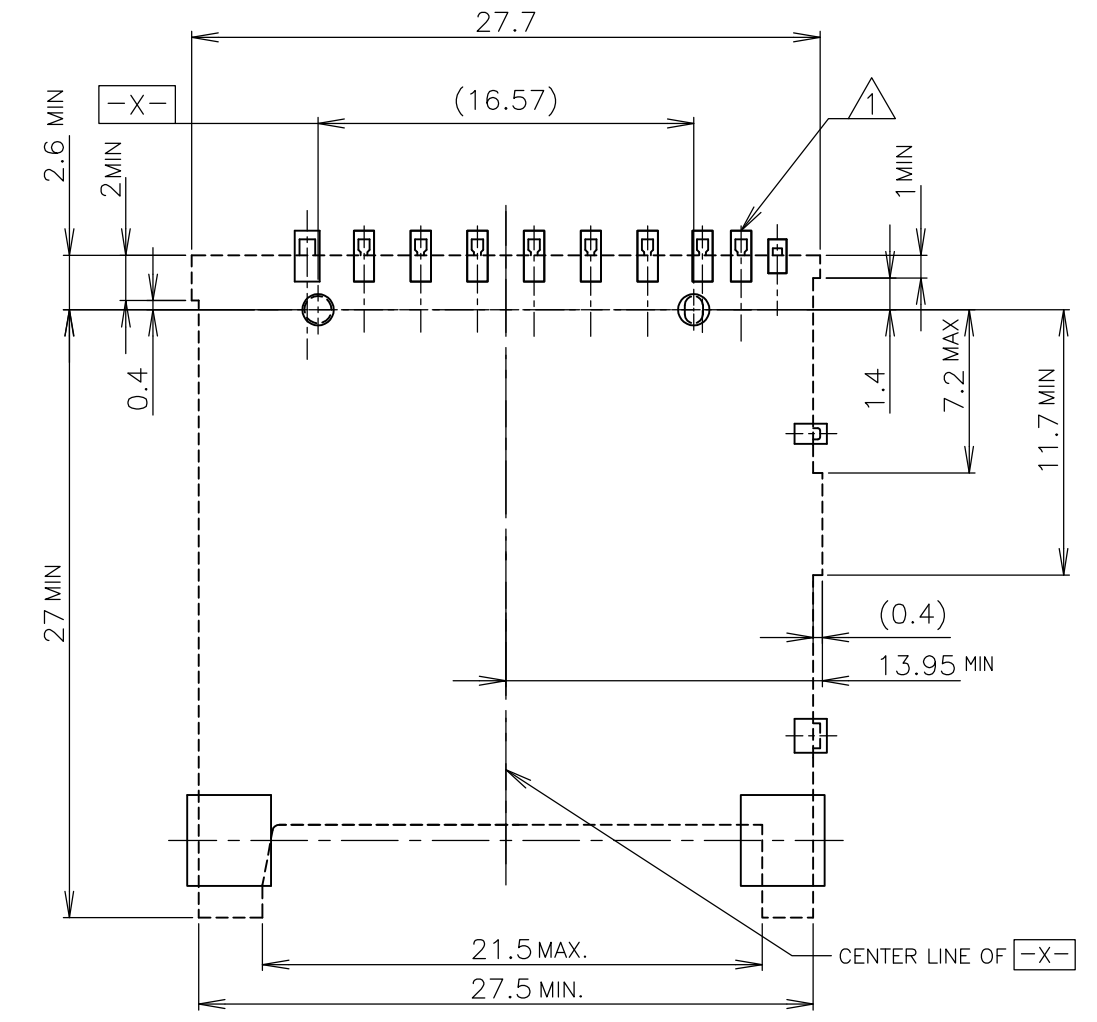
DETAIL C (SCALE 5:1)



DETAIL D (SCALE 5:1)

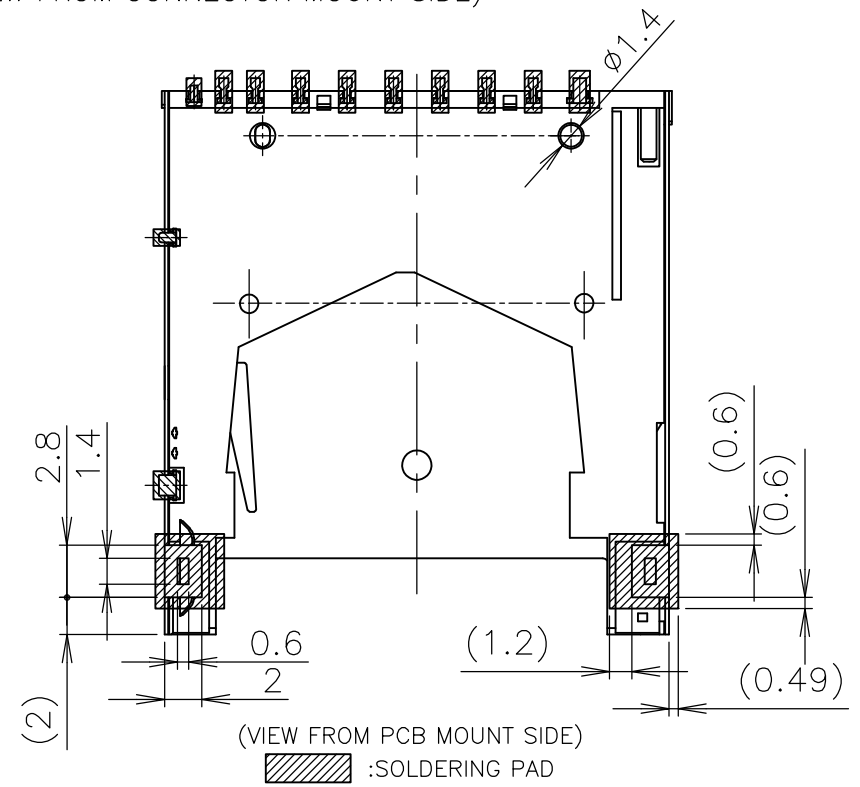


DETAIL E (SCALE 5:1)



(VIEW FROM CONNECTOR MOUNT SIDE)

▨ : COMPONENT PROHIBITION AREA  
 □ : SOLDERING PAD

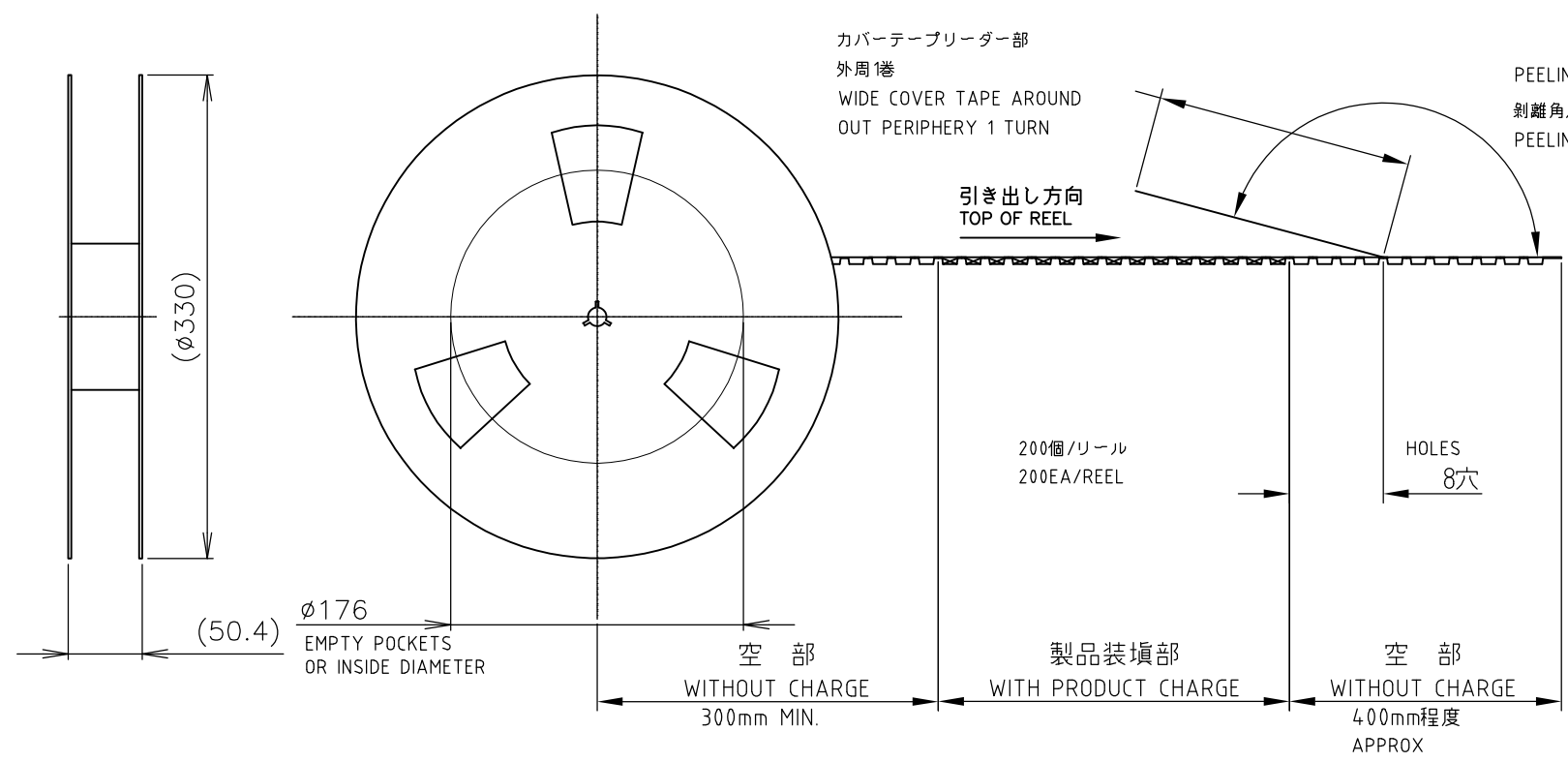
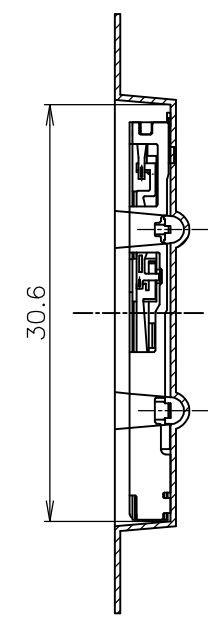
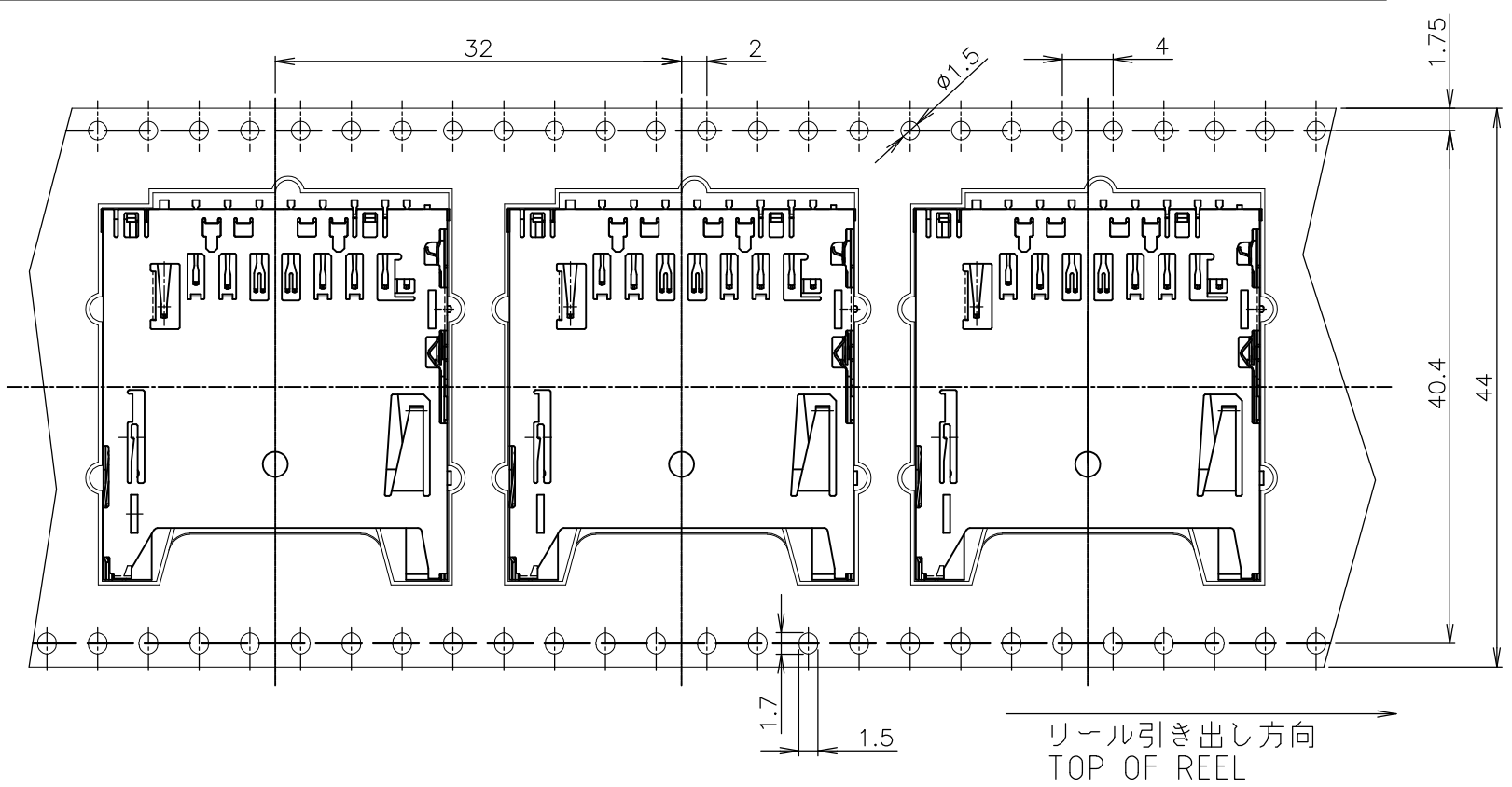


(VIEW FROM PCB MOUNT SIDE)  
 ▨ : SOLDERING PAD

THIS DRAWING IS A CONTROLLED DOCUMENT.		DWN	TE Connectivity		
DIMENSIONS: 單位: 耗 mm		CHK			
TOLERANCES UNLESS OTHERWISE SPECIFIED: 一般公差		APVD	NAME 名称		
0 PLC ± 0.3		PRODUCT SPEC 製品規格	SD MEMORY CARD CONNECTOR		
1 PLC ± 0.3		APPLICATION SPEC 取付適用規格	PUSH PUSH TYPE		
2 PLC ± 0.3		WEIGHT	SIZE	CAGE CODE	DRAWING NO 番号
3 PLC ± 0.3		CUSTOMER DRAWING	A3	00779	G-1871916
4 PLC ± 0.3			SCALE 尺度	NTS	SHEET 3 OF 4
ANGLES ± 3°		RESTRICTED TO			
FINISH 仕上		-			

THIS DRAWING IS UNPUBLISHED. RELEASED FOR PUBLICATION  
 © COPYRIGHT - By - ALL RIGHTS RESERVED.

LOC	DIST	REVISIONS					
		P	LTR	DESCRIPTION	DATE	DWN	APVD
J	-	-	-	SEE SHEET 1	-	-	-



THIS DRAWING IS A CONTROLLED DOCUMENT.		DWN	<b>STE</b> TE Connectivity	
DIMENSIONS: 単位: 耗 mm		CHK		
TOLERANCES UNLESS OTHERWISE SPECIFIED: 一般公差		APVD	NAME 名称	
0 PLC ± 0.3		PRODUCT SPEC 製品規格	SD MEMORY CARD CONNECTOR	
1 PLC ± 0.3		APPLICATION SPEC 取付適用規格	PUSH PUSH TYPE	
2 PLC ± 0.3		WEIGHT	REVERSE H0	
3 PLC ± 0.3		CUSTOMER DRAWING	SIZE	RESTRICTED TO
4 PLC ± 0.3			A3	-
ANGLES ± 3°		CAGE CODE	DRAWING NO	SCALE
FINISH 仕上		00779	G-1871916	NTS
MATERIAL 材料		SHEET		REV
		4 OF 4		G1

## Looking for pricing, stock, or lifecycle information?

Click below to explore more details on WIN SOURCE:

[View 1871916-1 on WIN SOURCE](#)

[TE Connectivity Information](#)

## Optimize Your Supply Chain with WIN SOURCE Solutions

- ✓ Global Sourcing Solution
- ✓ Obsolete Management
- ✓ Cost Control Management
- ✓ Shortage Management
- ✓ Alternative Solution
- ✓ Excess Inventory Management