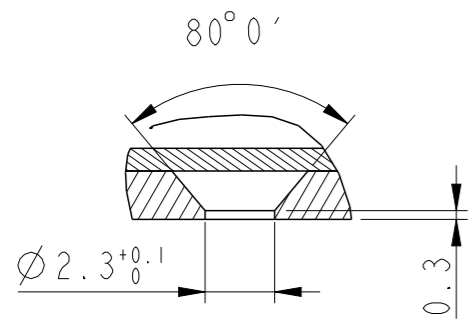
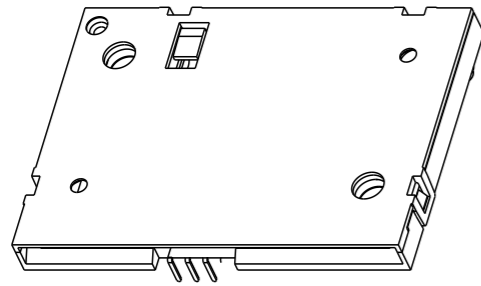
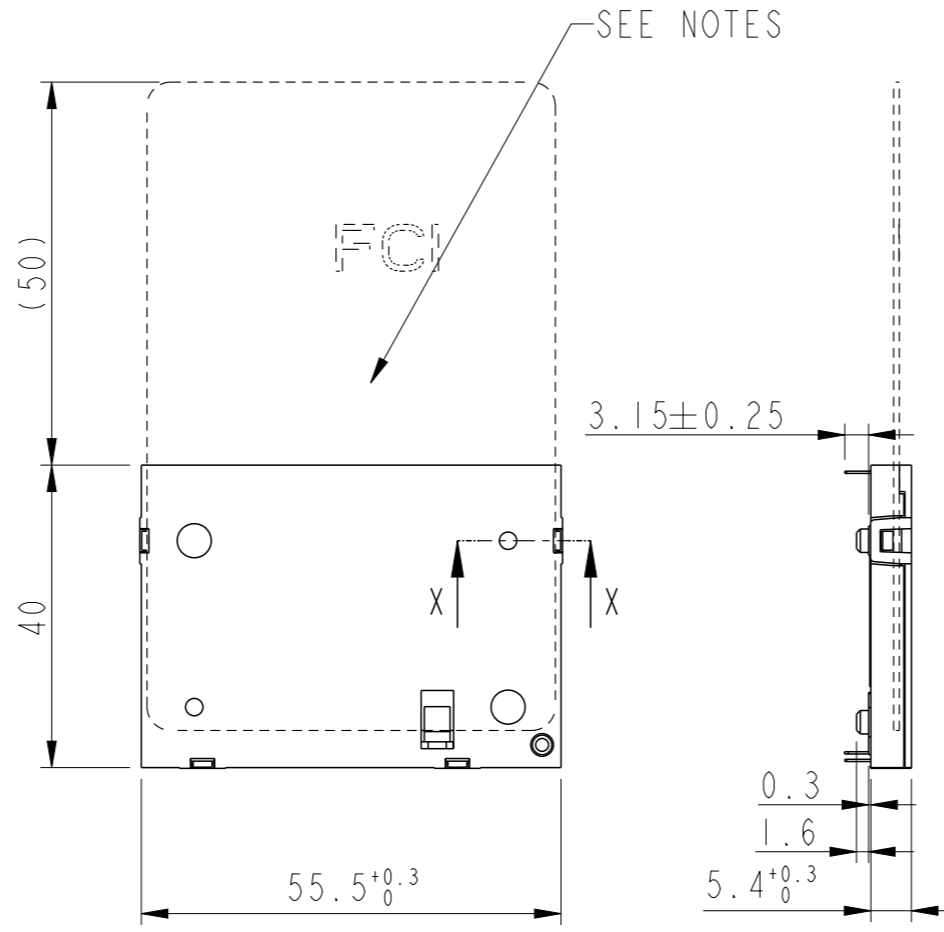


PART NUMBER

7332E0225S15LF



SECTION X-X  
SCALE 4:1



Ø3.1-0.1  
⊕ ⊖ Ø0.05

**GENERAL :**

High cycle life duration smart card connector with semi landing type contacts mechanism.  
Smart card for reference purpose only.

**ELECTRICAL PROPERTIES :**

Insulation resistance : > 1000MΩ  
Dielectric withstanding voltage : >750 Vrms  
Current carrying capacity : Min 10μA, Max 1A  
Contact resistance : < 100mΩ

**MECHANICAL PROPERTIES :**

Operating force : Insertion : F < 10N  
Withdrawal : 1 < F < 10N  
Contact normal force : 0.2 < F < 0.5N for 0.6mm of deflection  
Durability : 50 000 mating cycles

**MATERIAL :**

Head reader : Pa4/6, Colour Black, Rated UL94V0  
Cover : Pa4/6, Colour Grey, Rated UL94V0  
Contacts : Copper alloy  
Plating : 2.5μm Nickel min. all over  
2μm Gold min. or equivalent PdNi on contact area  
3μm matte tin min. on solder tails

**ENVIRONMENT :**

Operating temperature : -20°C / +70°C  
Storage temperature : -40°C / +85°C  
Climatic condition : UTE 93-421

**PACKAGING :**

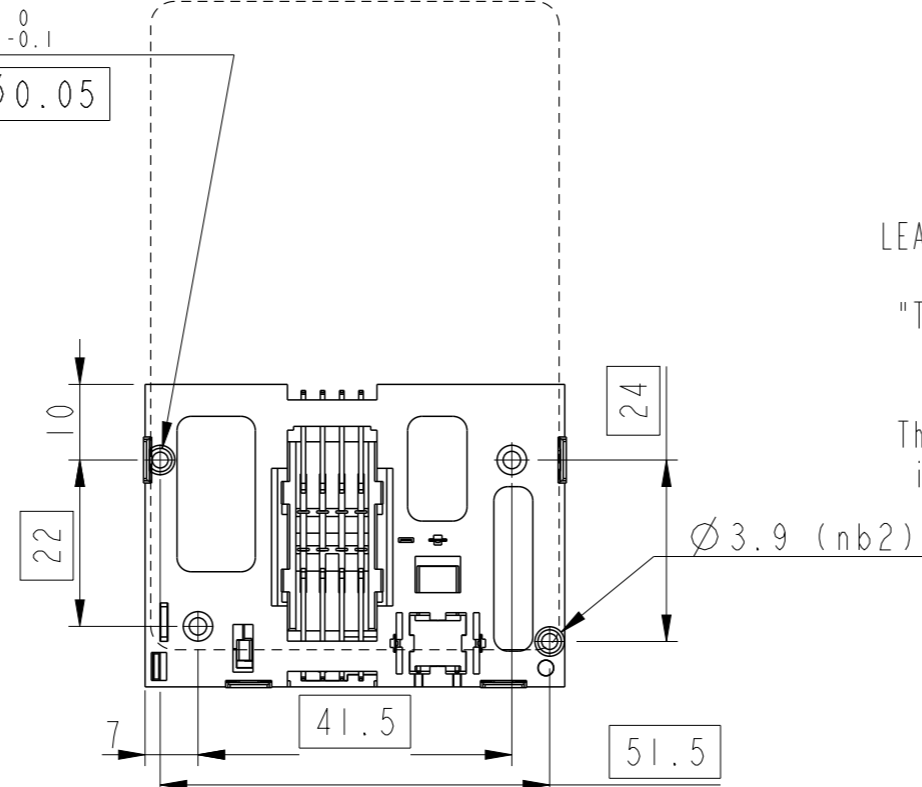
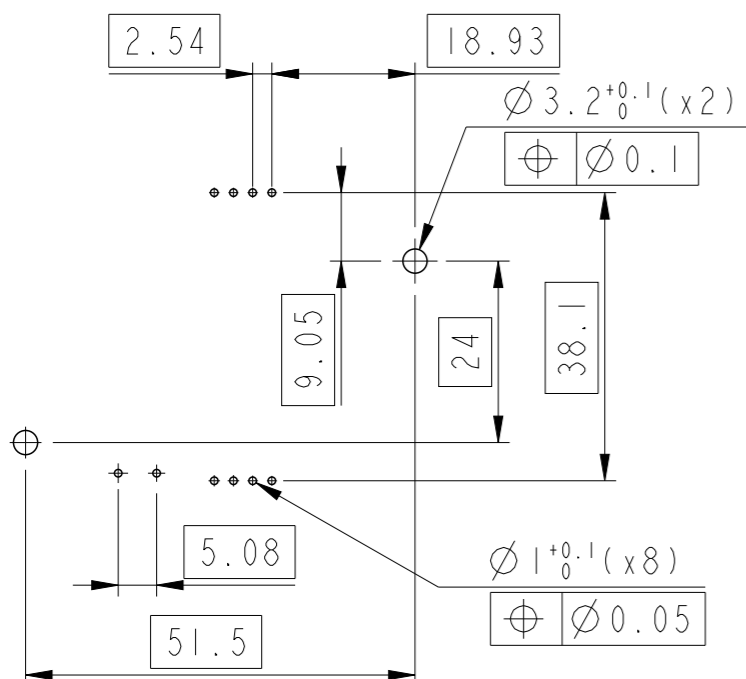
Cavity tray

LEAD FREE VERSION:

"This product meets European Union Directives and other country regulations as described in GS-47-0004"

The housing will withstand exposure to 260°C peak temperature for 10seconds in a convection reflow oven.

**Recommended PCB Layout  
(Component side)**



General Tolerances	
0 to 10mm:	±0.1mm
10 to 30mm:	±0.15mm
30 to 60mm:	±0.2mm
60 and more:	±0.3mm

spec ref	--	dr	P-Mathew Nebu	2011/05/31	projection	mm	size	A3	scale	1:1	
tolerance std	ISO 406 ISO 1101	eng	P-Mathew Nebu	2019/07/15			ecn no	ELX-I-30956-1	rel level	Released	
TOLERANCES UNLESS OTHERWISE SPECIFIED		chr	-	2019/09/27							product family
surface	linear	appr	Kuriakose, San	2019/09/27	MOBILE I/O		rel level		Released		
ISO 1302	angular	Amphenol FCI		E02 CARD READER		dwg no		C01MSB26ECE02		rev	D
		SEE TABLE		Product - Customer Drw		sheet 1 of 1					

## Looking for pricing, stock, or lifecycle information?

Click below to explore more details on WIN SOURCE:

[View 7332E0225S15LF on WIN SOURCE](#)

[Amphenol Information](#)

## Optimize Your Supply Chain with WIN SOURCE Solutions

- ✓ Global Sourcing Solution
- ✓ Obsolete Management
- ✓ Cost Control Management
- ✓ Shortage Management
- ✓ Alternative Solution
- ✓ Excess Inventory Management