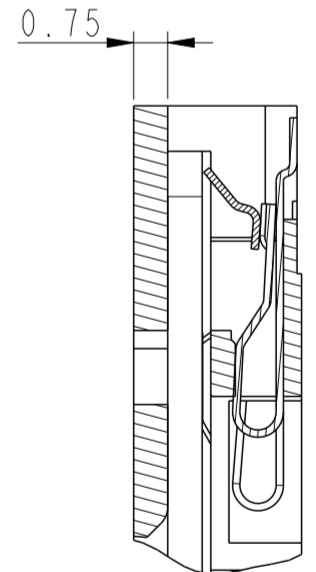
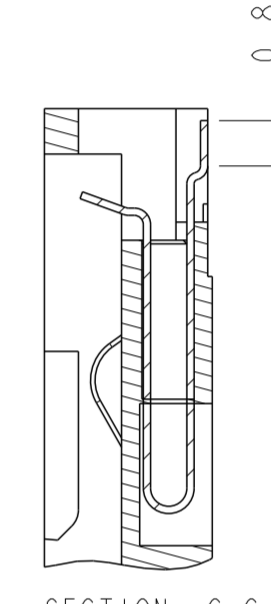
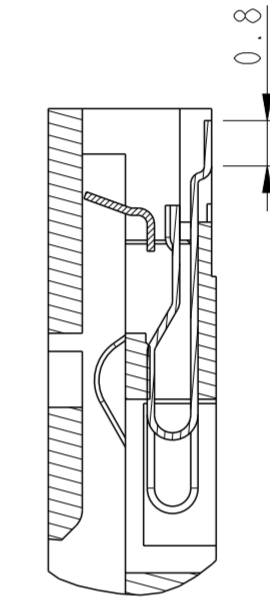
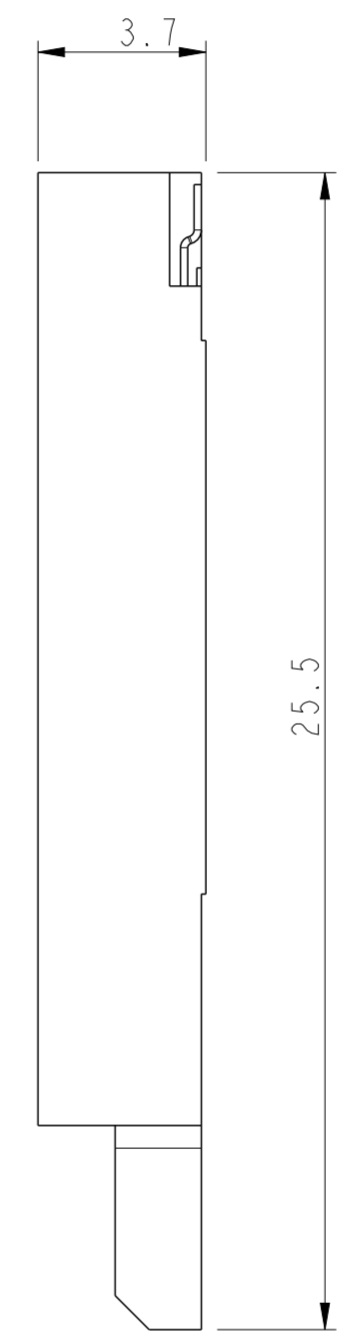
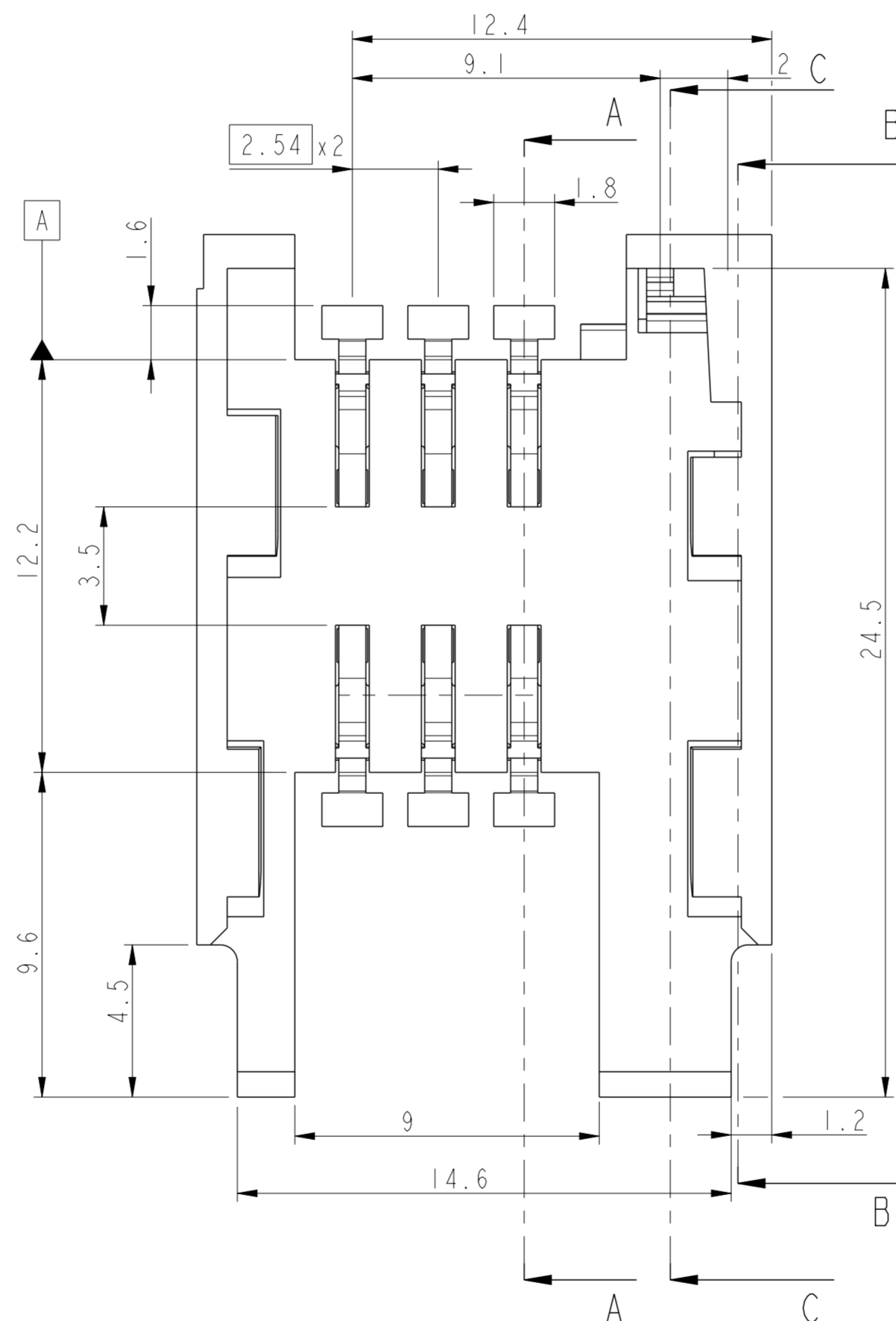
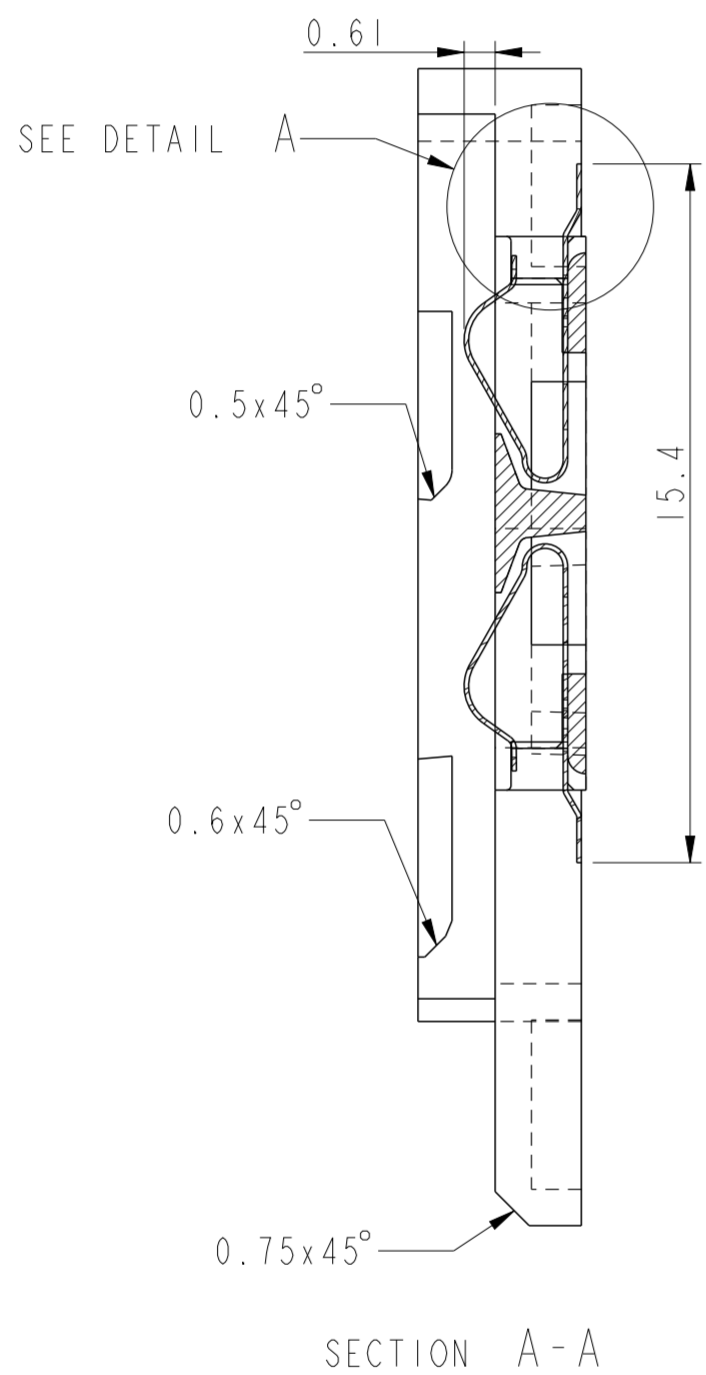
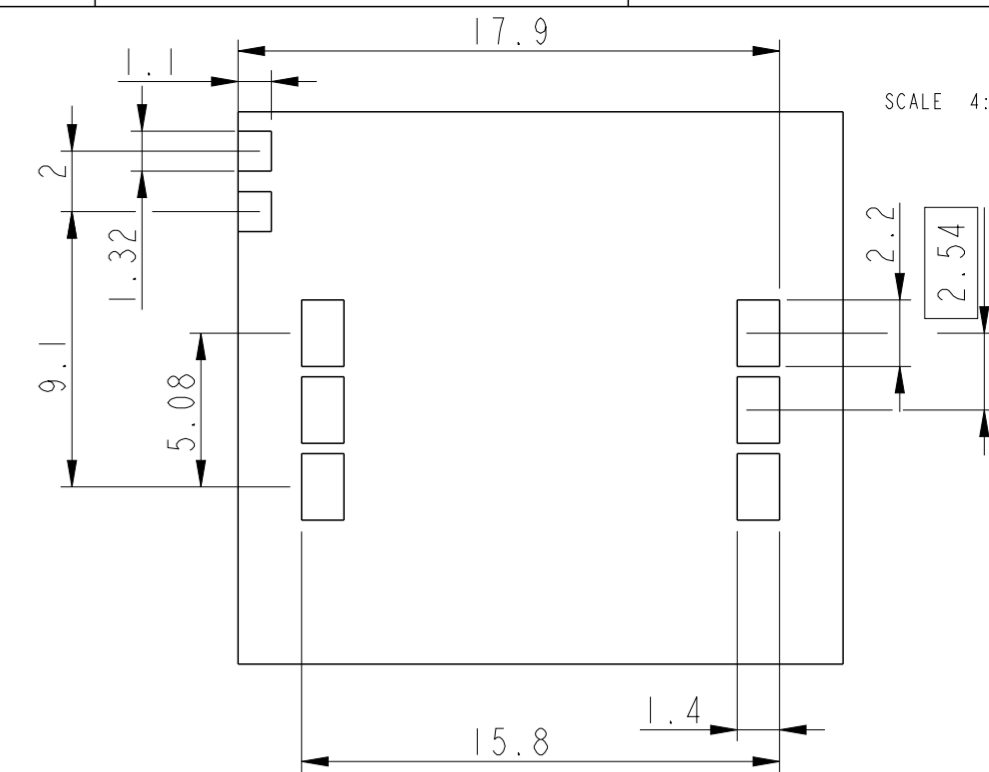
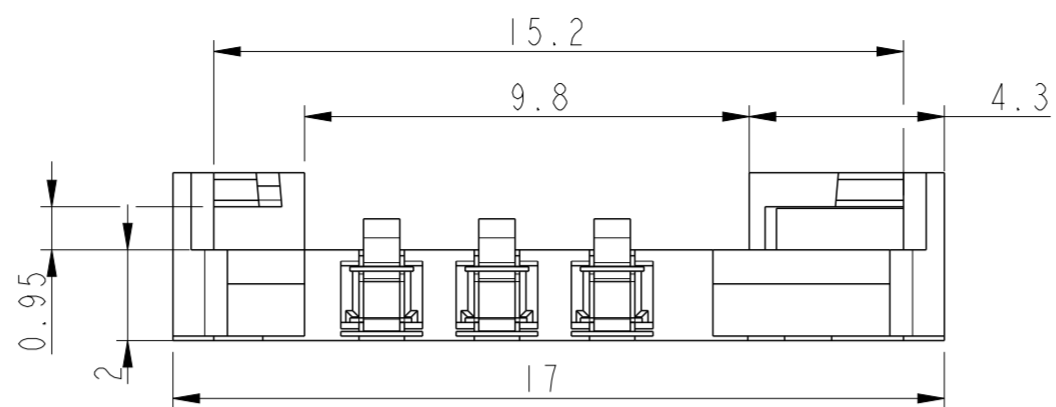
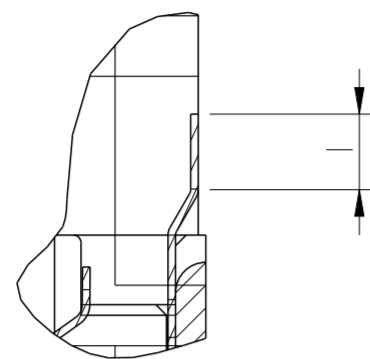


PART NUMBER
LEAD FREE VERSION
7111SI1615A02LF

DETAIL A
SCALE 10:1



CARD
SECTION B-B
SCALE 6:1
DETAIL OF SWITCH

LEAD FREE VERSION:

"This product meets European Union Directives and other country regulations as described in GS-22-008"

The housing will withstand exposure to 260°C peak temperature for 10 seconds in a convection reflow oven.

PROCESSING
Ni 2 μm
Gold 2.5 μm/Equivalent PdNi over Ni on contact area
Solder tail: Matte tin 2.5 μm (for lead free version)

GENERAL TOLERANCES: ±0.1

www.fciconnect.com			surface	tolerance std	projection	mm
			ISO 1302	ISO 406 ISO 1101		
			TOLERANCES UNLESS OTHERWISE SPECIFIED			
Dr	BERNARDET	1998/09/02	ANGULAR	0.x	±	size
Eng	ODIC	1998/09/02	LINEAR	0.xx	±	A2
Chr	DILIPTHOMAS	2006/07/18	0° ±°	0.xxx	±	Scale 6:1
Appr	K.V.SIVADAS	2006/07/18	Product family MOBILE IO			ECN 109-0291
			Spec ref			--
			SEE NOTES			CUSTOMER
			sheet 1 of 1			

rev	ecn no	dr	date
01	-	JBB	1998-09-02
A	-	-	2001-12-06
B	-	MPE	2002-03-06
C	LS2025	MPE	2002-05-04
D	I05-0167	NT	2005/09/23
E	I06-0121	DTK	2006/07/18
F	I09-0291	RPK	2009/12/30



TITLE
SIMCARD CONNECTOR WITH SWITCH
TYPE SI6
catalog no

Rev. VJW_54479
F

Copyright FCI. FCI

Looking for pricing, stock, or lifecycle information?

Click below to explore more details on WIN SOURCE:

[View 7111S1615A02LF on WIN SOURCE](#)

[Amphenol Information](#)

Optimize Your Supply Chain with WIN SOURCE Solutions

- ✓ Global Sourcing Solution
- ✓ Obsolete Management
- ✓ Cost Control Management
- ✓ Shortage Management
- ✓ Alternative Solution
- ✓ Excess Inventory Management